

# **Component Procedures: Intake Manifold**

## **Table of Contents**

1. Parts and Labor (itype\_189)
2. Intake Manifold Replacement (Article 2073822)
3. Mechanical (including Torque) (itype\_28)

# Component Procedures: Intake Manifold

## Parts and Labor (itype\_189)

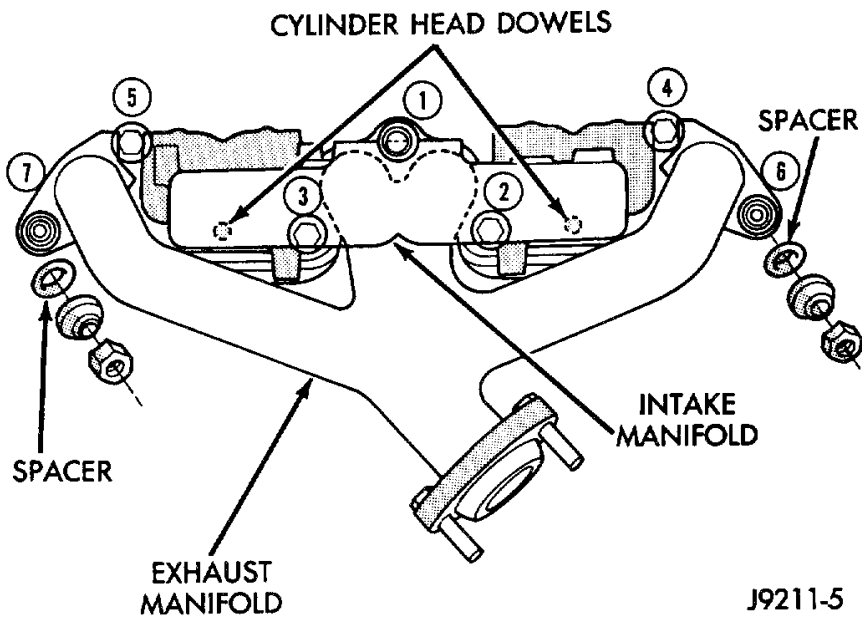
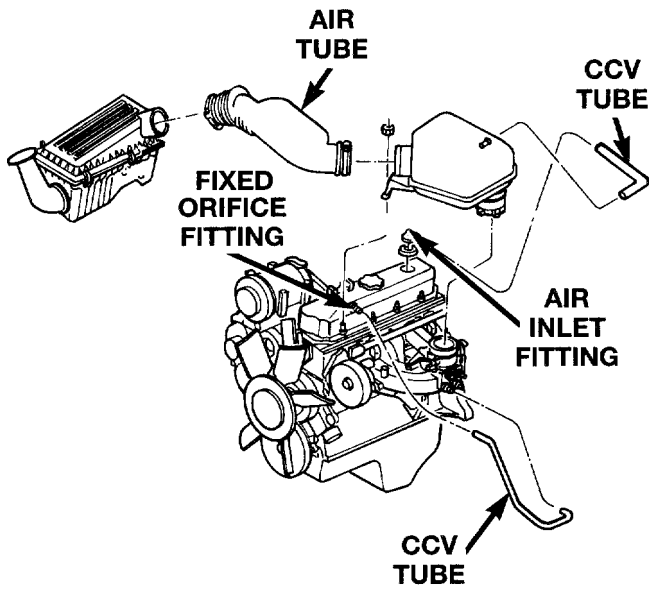
### Parts

Qualifier	Part #	Name	Price	Note
Intake Manifold	53010245	Intake Manifold	0.00	

### Labor

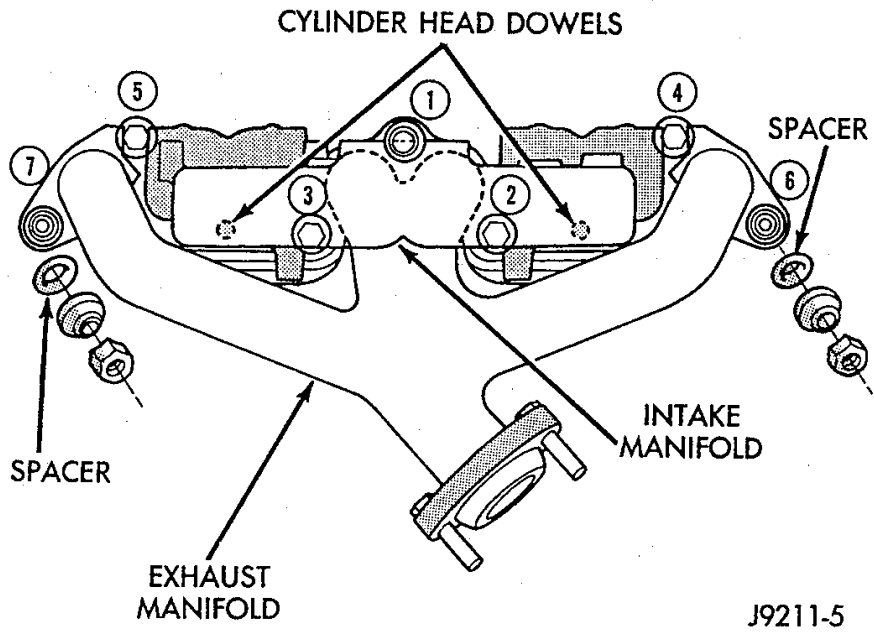
Operation	Qualifier Path	Skill	Std Hrs	Wty Hrs
Replace	Intake Manifold	B	3.2	2.4

## Intake Manifold Replacement (Article 2073822)



J9211-5

## Mechanical (including Torque) (itype\_28)



J9211-5