

# **Component Procedures: Cruise Control**

## **Table of Contents**

1. Cruise Control (Article 12110)
2. Diagnostic Strategies (Article 2087236)
3. Non-Trouble Code Procedures (Article 2087238)
4. On-Board Diagnostics Test For Speed Control System (Article 2087244)
5. Diagnosis By Symptom (Article 2087133)

# Component Procedures: Cruise Control

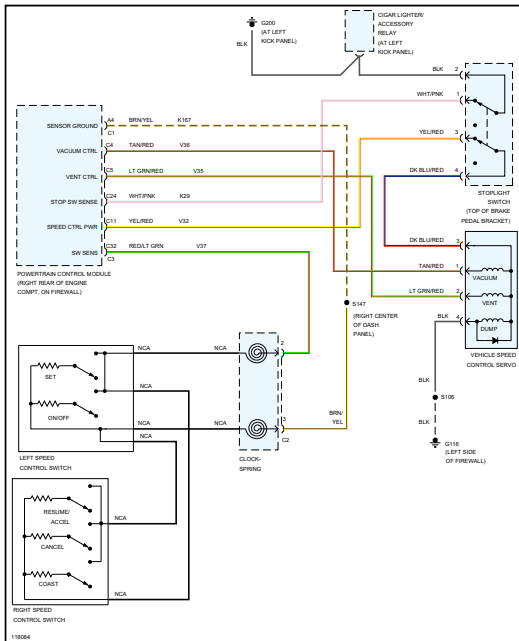
## Cruise Control (Article 12110)

Cruise Control

Interactive Color (Non OE) diagrams for model years 2001 and older use a universal ground location diagram.

Click here for the diagram.

Page 1 of 1



## Diagnostic Strategies (Article 2087236)

Non Standards

- Road Test (2087237)

## Non-Trouble Code Procedures (Article 2087238)

Non Standards

- Vacuum Supply Test (2087239)

## On-Board Diagnostics Test For Speed Control System (Article 2087244)

The Powertrain Control Module (PCM) monitors critical input and output circuits of the speed control

system, making sure they are operational. A Diagnostic Trouble Code (DTC) is assigned to each input and output circuit monitored by the On-Board Diagnostic (OBD) system. Some circuits are checked continuously and some are checked only under certain conditions.

## Diagnosis By Symptom (Article 2087133)

Non Standards

- Symptom Diagnostic Procedures (2087134)