

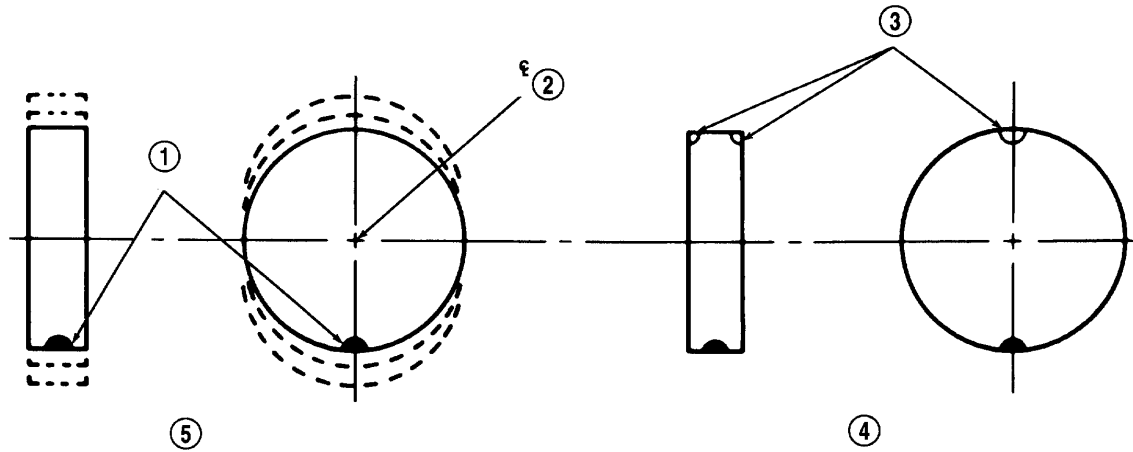
Component Procedures: Wheels and Tires

Table of Contents

1. Balance (Article 2079350)
2. Installation (Article 2079351)
3. Runout (Article 2079352)
4. All Technical Service Bulletins (itype_100)
5. Customer Interest Bulletins (itype_109)
6. Repair Tips (itype_110)
7. Bouncing (itype_124)
8. Pull, grab (itype_165)
9. Vibration (itype_176)
10. Vehicle / Component Identification (itype_118)

Component Procedures: Wheels and Tires

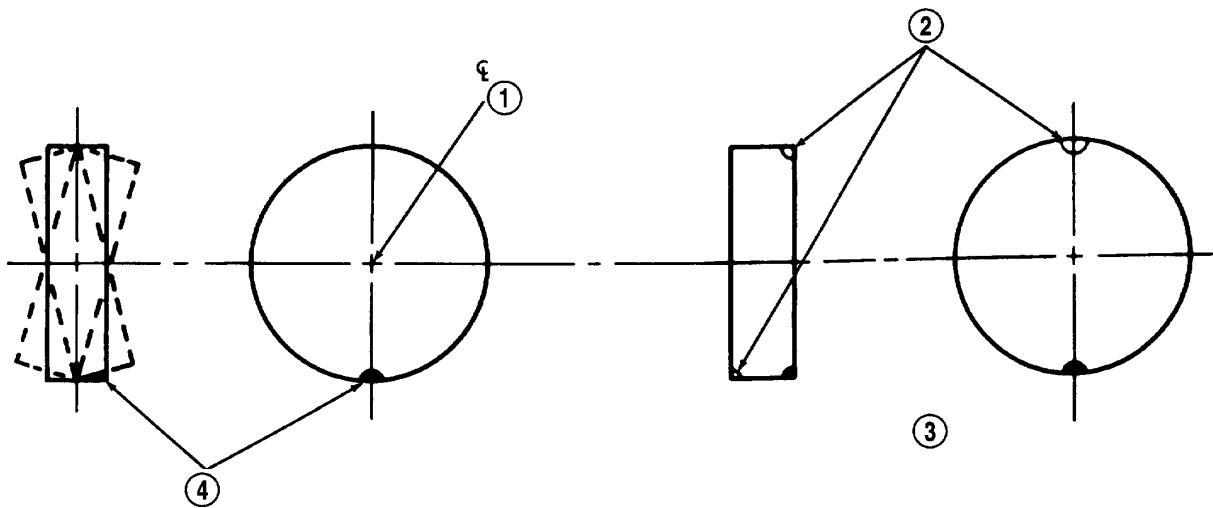
Balance (Article 2079350)



J8922-8

Fig. 7 Static Unbalance & Balance

- 1 - HEAVY SPOT
- 2 - OF SPINDLE
- 3 - ADD BALANCE WEIGHTS HERE
- 4 - CORRECTIVE WEIGHT LOCATION
- 5 - TIRE OR WHEEL TRAMP, OR WHEEL HOP



J8922-9

Fig. 8 Dynamic Unbalance & Balance

- 1 - OF SPINDLE
- 2 - ADD BALANCE WEIGHTS HERE
- 3 - CORRECTIVE WEIGHT LOCATION
- 4 - HEAVY SPOT WHEEL SHIMMY AND VIBRATION

Installation (Article 2079351)

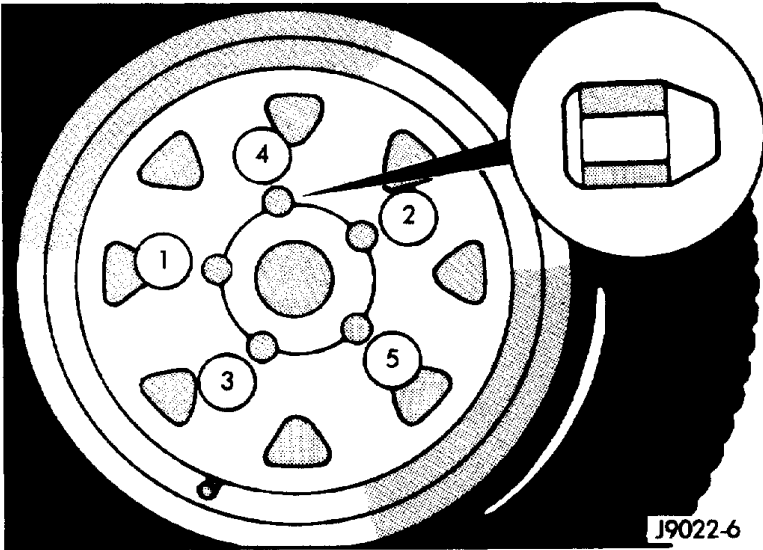
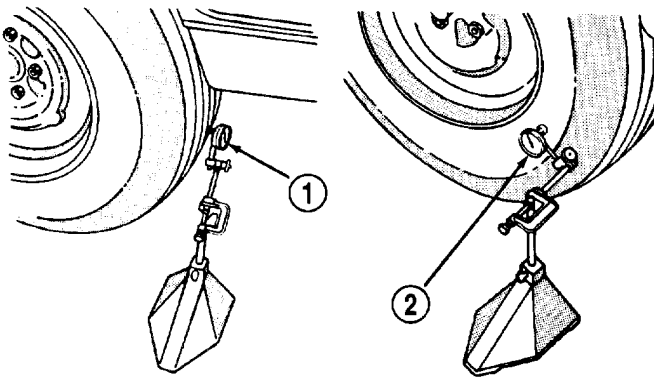


Fig. 5 Lug Nut Tightening Pattern

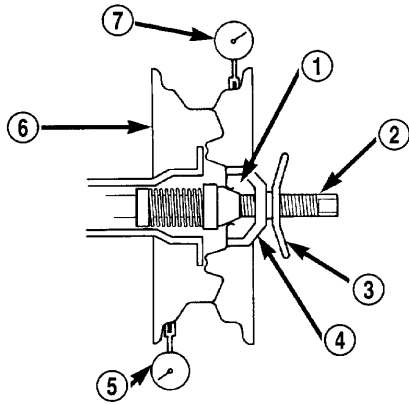
Runout (Article 2079352)



J9022-4

Fig. 2 Checking Tire/Wheel/Hub Runout

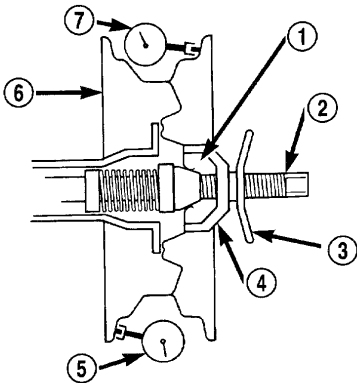
- 1 - RADIAL RUNOUT
- 2 - LATERAL RUNOUT



80a611da

Fig. 5 Checking Radial Run Out Of Wheel

- 1 - MOUNTING CONE
- 2 - SPINDLE SHAFT
- 3 - WING NUT
- 4 - PLASTIC CUP
- 5 - DIAL INDICATOR
- 6 - WHEEL
- 7 - DIAL INDICATOR



80a611db

Fig. 6 Checking Lateral Run Out Of Wheel

- 1 - MOUNTING CONE
- 2 - SPINDLE SHAFT
- 3 - WING NUT
- 4 - PLASTIC CUP
- 5 - DIAL INDICATOR
- 6 - WHEEL
- 7 - DIAL INDICATOR

All Technical Service Bulletins (itype_100)

Tsbs

- Wheels/Tires - Steering Wheel Vibration Diagnostic Procedure (22-001-14A, 2014/10/29)
- Collision - Safety Cert./Tire Press. Label Replacement (31-002-12, 2012/02/02)
- Steering/Suspension - Wheel Hub/Bearing Inspection COLL. (31-001-12, 2012/01/11)
- Steering/Suspension - Vehicle Pulls To The Left or Right (02-003-15, 2015/01/27)
- Steering/Suspension - Vibration/Shimmy Above 50 MPH (19-002-12, 2012/07/12)
- Wheels - Reconditioned Wheel Usage (31-005-11, 2011/11/10)

Customer Interest Bulletins (itype_109)

Tsbs

- Wheels/Tires - Steering Wheel Vibration Diagnostic Procedure (22-001-14A, 2014/10/29)
- Steering/Suspension - Vehicle Pulls To The Left or Right (02-003-15, 2015/01/27)
- Steering/Suspension - Vibration/Shimmy Above 50 MPH (19-002-12, 2012/07/12)

Repair Tips (itype_110)

Tsbs

- Steering/Suspension - Wheel Hub/Bearing Inspection COLL. (31-001-12, 2012/01/11)
- Wheels - Reconditioned Wheel Usage (31-005-11, 2011/11/10)

Bouncing (itype_124)

Tsbs

- Steering/Suspension - Vibration/Shimmy Above 50 MPH (19-002-12, 2012/07/12)

Pull, grab (itype_165)

Tsbs

- Steering/Suspension - Vehicle Pulls To The Left or Right (02-003-15, 2015/01/27)

Vibration (itype_176)

Tsbs

- Wheels/Tires - Steering Wheel Vibration Diagnostic Procedure (22-001-14A, 2014/10/29)
- Steering/Suspension - Vibration/Shimmy Above 50 MPH (19-002-12, 2012/07/12)

Vehicle / Component Identification (itype_118)

Tsbs

- Collision - Safety Cert./Tire Press. Label Replacement (31-002-12, 2012/02/02)