

Component Procedures: Carrier Bearings

Table of Contents

1. Parts and Labor (itype_189)
2. Front Differential (Article 2082400)
3. Rear Differential (Article 2082401)

Component Procedures: Carrier Bearings

Parts and Labor (itype_189)

Parts

Qualifier	Part #	Name	Price	Note
Front Axle > Side Bearings	J8126500	13 - Side Bearings	165.00	Order By Description.
Rear Axle > Side Bearings > ?	J8126500	9 - Side Bearings	165.00	Order By Description.
Rear Axle > Side Bearings > ?	1790541	9 - Side Bearings	103.00	Order By Description.
Rear Axle > Side Bearings > ?	3723569	9 - Side Bearings	53.75	Order By Description.

Labor

Operation	Qualifier Path	Skill	Std Hrs	Wty Hrs
Replace	Front Axle > Side Bearings	B	4.8	3.7
Replace	Front Axle > Side Bearings > NOTE > To R&R Pi?	B	1.2	1.1

Front Differential (Article 2082400)

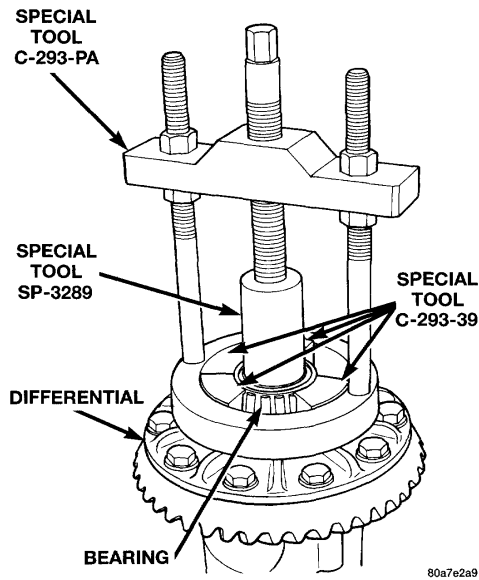


Fig. 31 Differential Bearing Removal

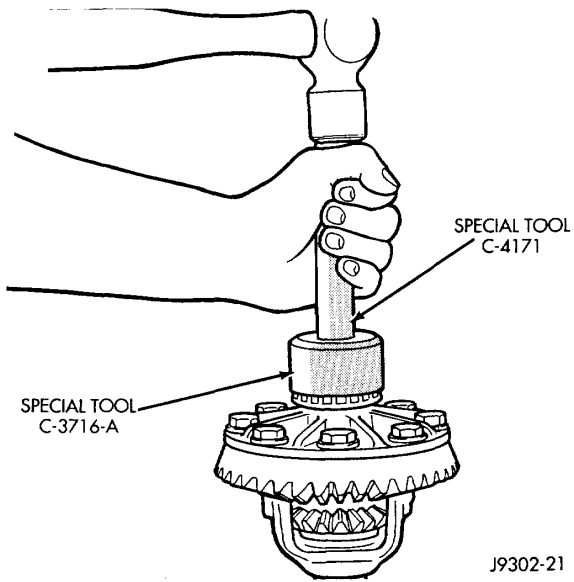


Fig. 32 Differential Side Bearing Installation

Rear Differential (Article 2082401)

Non Standards

- With 194 RBI Axle (2082409)
- With 216 RBI Axle (2082410)