

Component Procedures: Shift Interlock

Table of Contents

1. Brake Transmission Shift Interlock Mechanism (Article 2030369)
2. Removal and Installation (Article 2030802)

Component Procedures: Shift Interlock

Brake Transmission Shift Interlock Mechanism (Article 2030369)

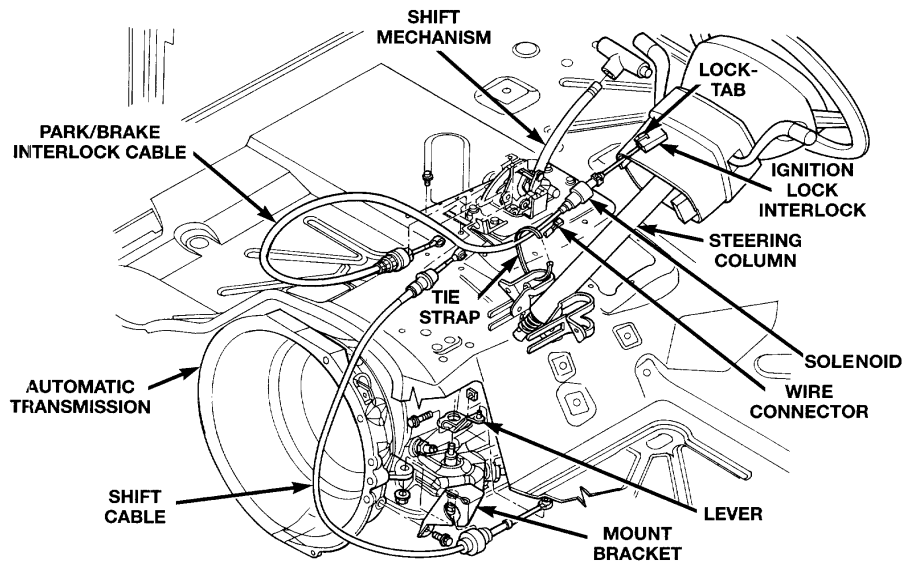


Fig. 3 Ignition Interlock Cable Routing

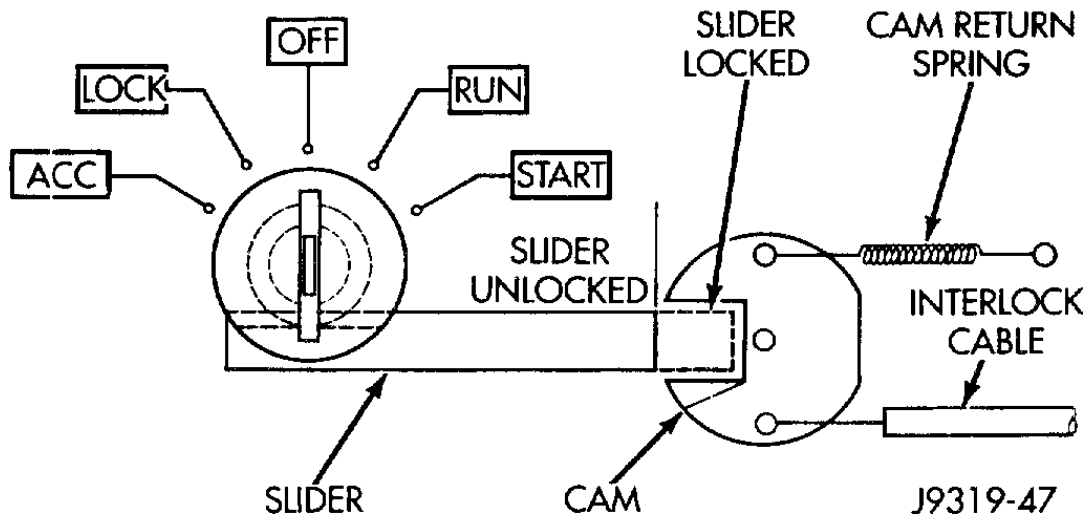


Fig. 4 Ignition Key Cylinder Actuation

Removal and Installation (Article 2030802)

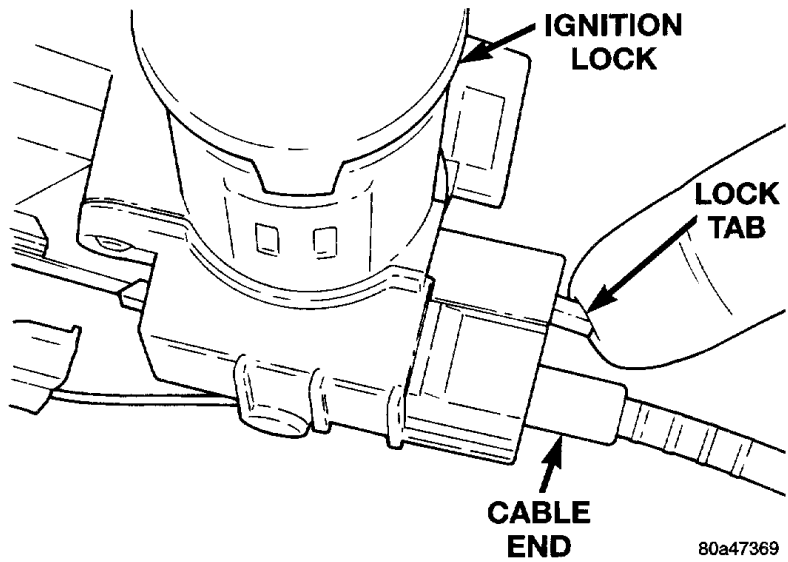


Fig. 25 Brake/Park Interlock Cable

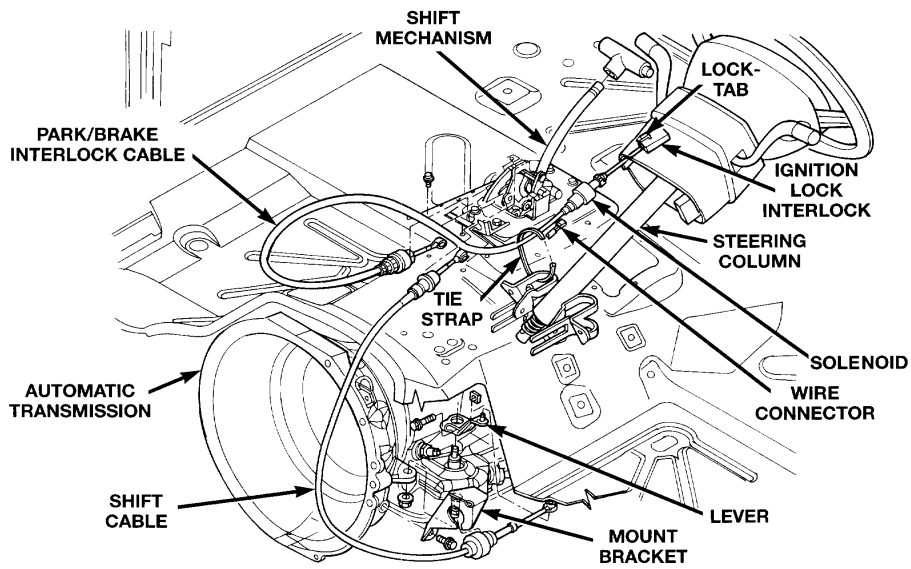


Fig. 26 Cable and Shifter