

Component Procedures: Underhood Lamp

Table of Contents

1. Components (itype_389)
2. Components (itype_32)
3. Procedures (itype_376)

Component Procedures: Underhood Lamp

Components (itype_389)

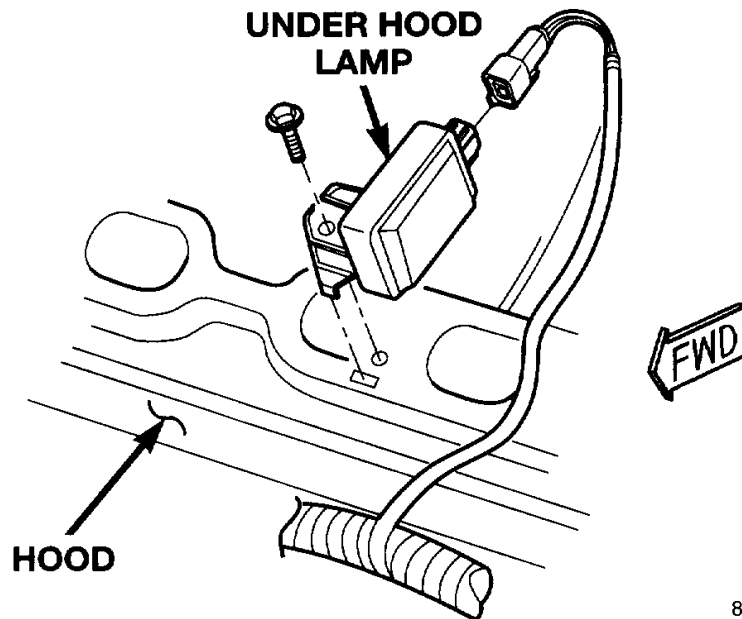
CAUTION

: Do not use bulbs that have a higher candle power than the bulb listed. Damage to lamp can result.

Some components have lamps that can only be serviced by an Authorized Service Center (ASC) after the component is removed from the vehicle.

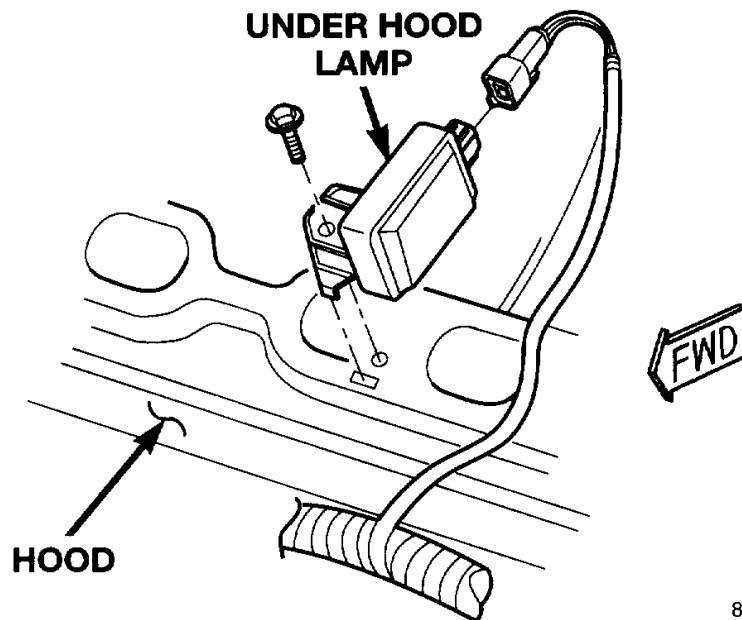
Under Hood = 561

Components (itype_32)



80ae0e73

Procedures (itype_376)



80ae0e73