

Component Procedures: Turn Signal Lamp

Table of Contents

1. Components (itype_389)
2. Front Parking and Turn Signal Lamp (Article 2023940)
3. Tail, Stop, Turn Signal and Back-Up Lamp (Article 2023941)

Component Procedures: Turn Signal Lamp

Components (itype_389)

CAUTION

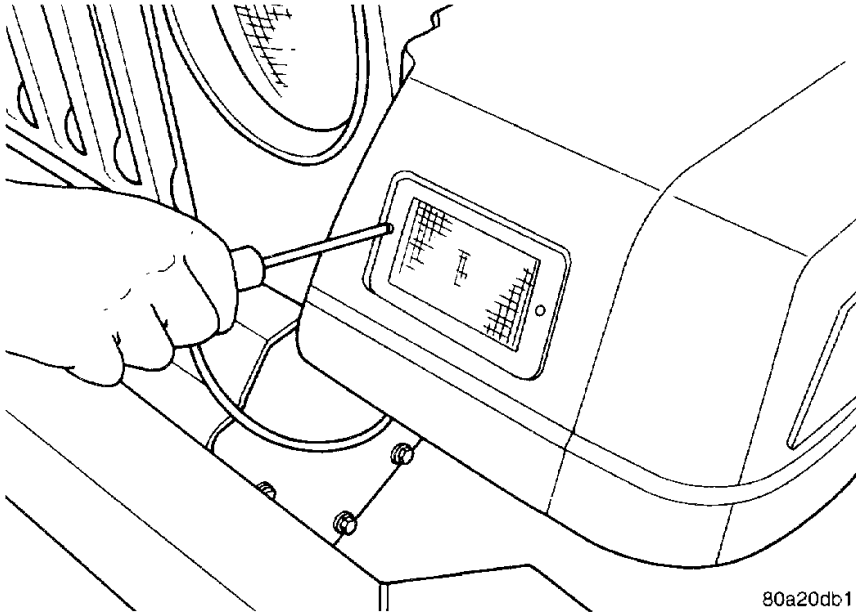
: Do not use bulbs that have a higher candle power than the bulb listed. Damage to lamp can result. Do not touch halogen bulbs with fingers or other oily surfaces. Bulb life will be reduced.

Park/

Turn Signal

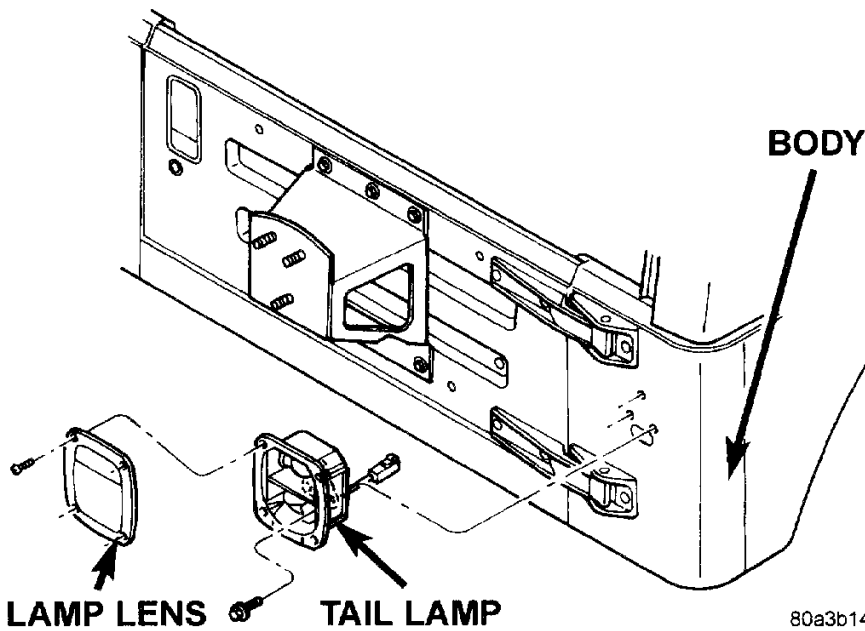
= 3157

Front Parking and Turn Signal Lamp (Article 2023940)



80a20db1

Tail, Stop, Turn Signal and Back-Up Lamp (Article 2023941)



80a3b145