

Component Procedures: Throttle Position Sensor

Table of Contents

1. Parts and Labor (itype_189)
2. Components (itype_392)
3. Connector Views (itype_47)
4. Components (itype_32)
5. Procedures (itype_376)
6. Mechanical (including Torque) (itype_28)
7. Component Tests and General Diagnostics (itype_383)

Component Procedures: Throttle Position Sensor

Parts and Labor (itype_189)

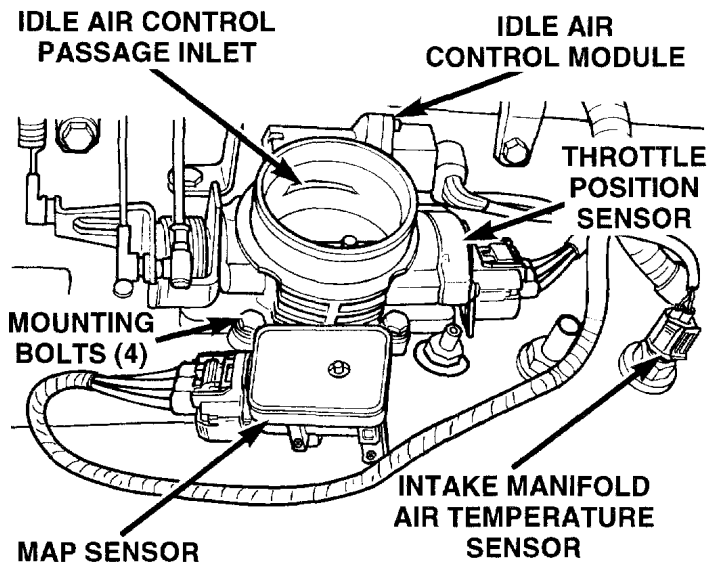
Parts

Qualifier	Part #	Name	Price	Note
Throttle Position Sensor	4874371	Throttle Position Sens?	55.00	Order By Description.

Labor

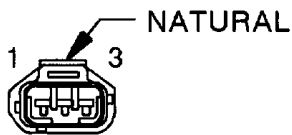
Operation	Qualifier Path	Skill	Std Hrs	Wty Hrs
Replace	Throttle Position Sensor, R&R	B	0.8	0.2

Components (itype_392)



80aac28d

Connector Views (itype_47)

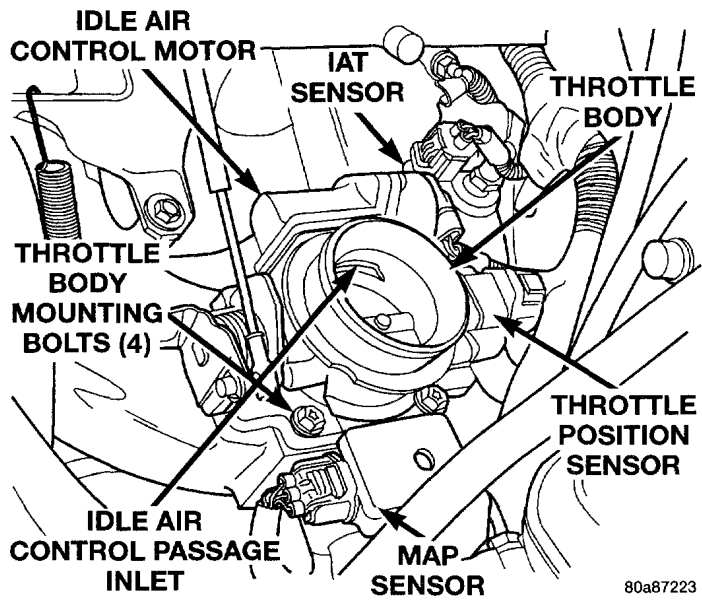


THROTTLE POSITION SENSOR

THROTTLE POSITION SENSOR - NATURAL 3 WAY

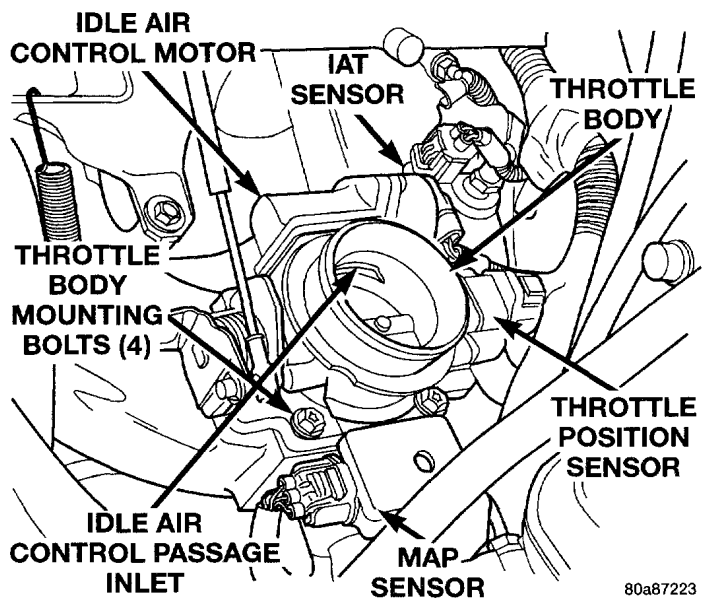
CAV	CIRCUIT	FUNCTION
1	K167 20BR/YL	SENSOR GROUND
2	K22 18OR/DB	THROTTLE POSITION SENSOR SIGNAL
3	K7 20OR	5V SUPPLY

Components (itype_32)

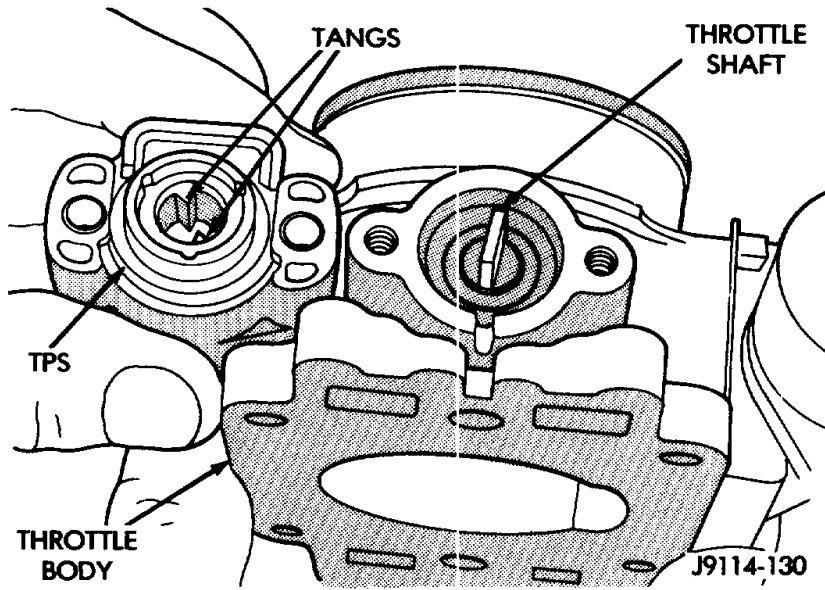
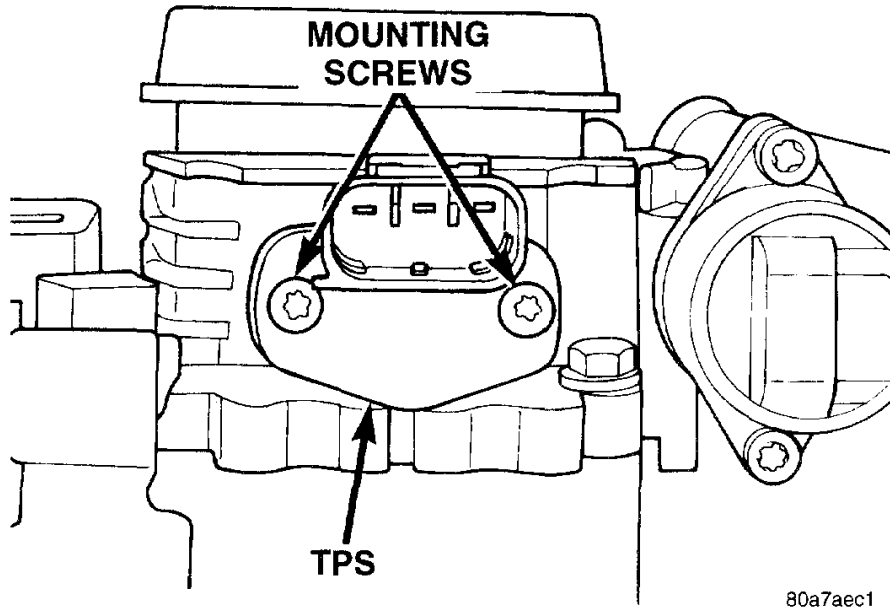


80a87223

Procedures (itype_376)



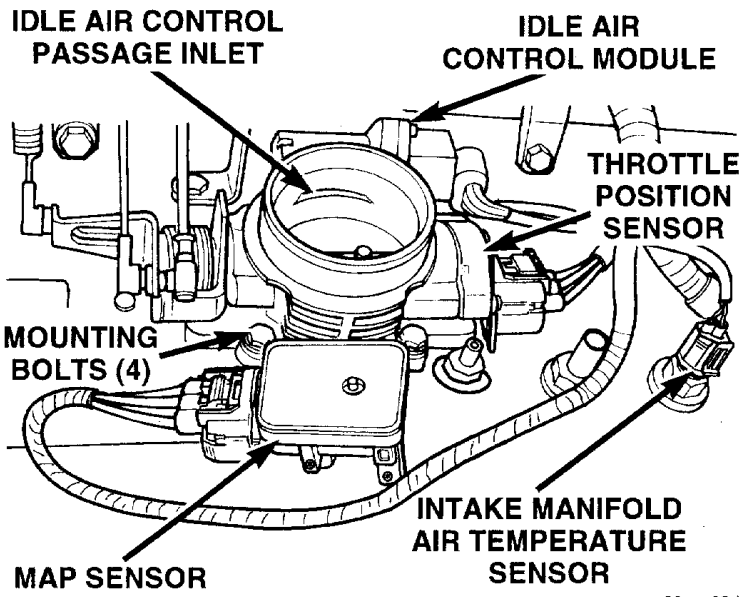
80a87223



Mechanical (including Torque) (itype_28)

TPS Screws 7 Nm

Component Tests and General Diagnostics (itype_383)



80aac28d