

Component Procedures: Window Regulator

Table of Contents

1. Procedures (itype_376)

Component Procedures: Window Regulator

Procedures (itype_376)

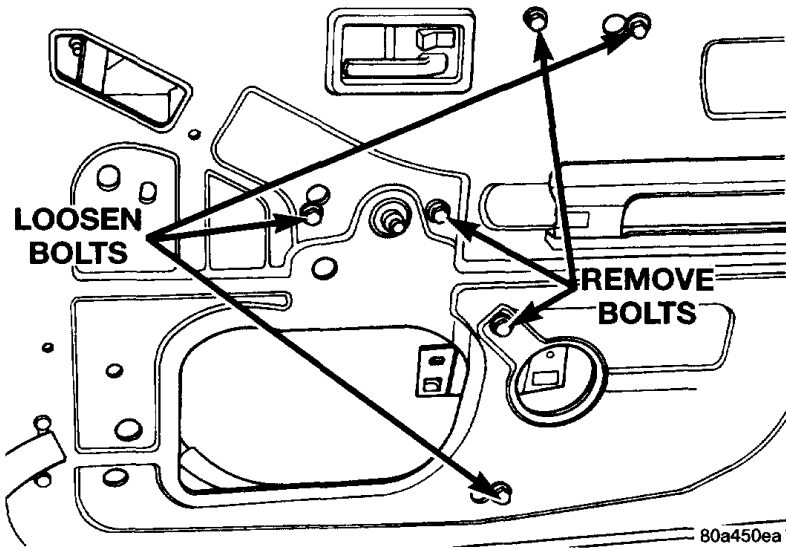


Fig. 32 Window Regulator Bolts