

Component Procedures: Idle Speed/Throttle Actuator - Electronic

Table of Contents

1. Parts and Labor (itype_189)
2. Components (itype_392)
3. Components (itype_32)
4. Procedures (itype_376)
5. Mechanical (including Torque) (itype_28)
6. Component Tests and General Diagnostics (itype_383)

Component Procedures: Idle Speed/Throttle Actuator - Electronic

Parts and Labor (itype_189)

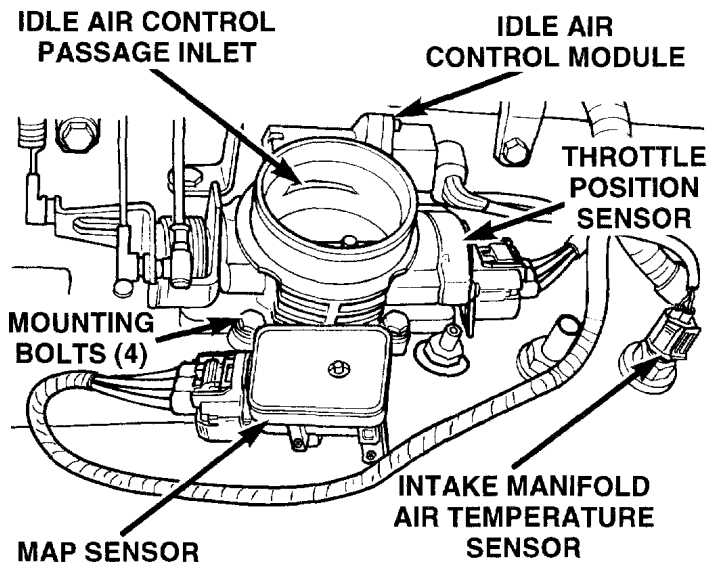
Parts

Qualifier	Part #	Name	Price	Note
Idle Speed Control	4874373AB	Idle Speed Control	238.00	Order By Description.

Labor

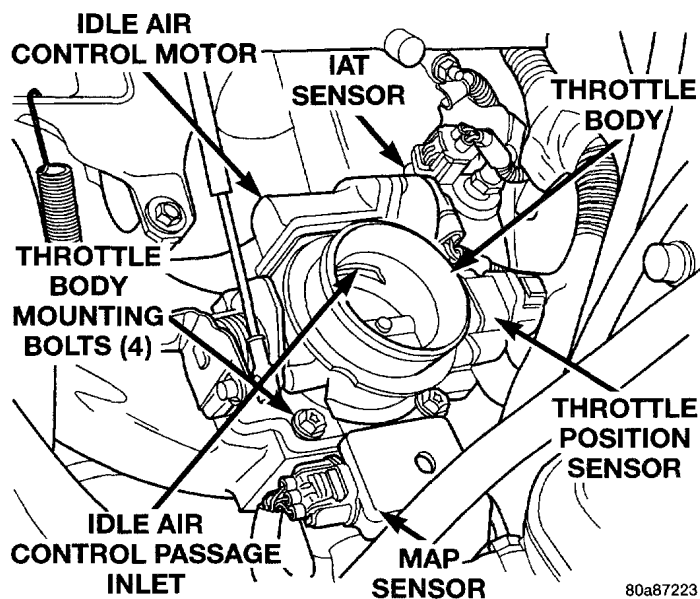
Operation	Qualifier Path	Skill	Std Hrs	Wty Hrs
Replace	Idle Speed Control	B	1.0	0.2

Components (itype_392)



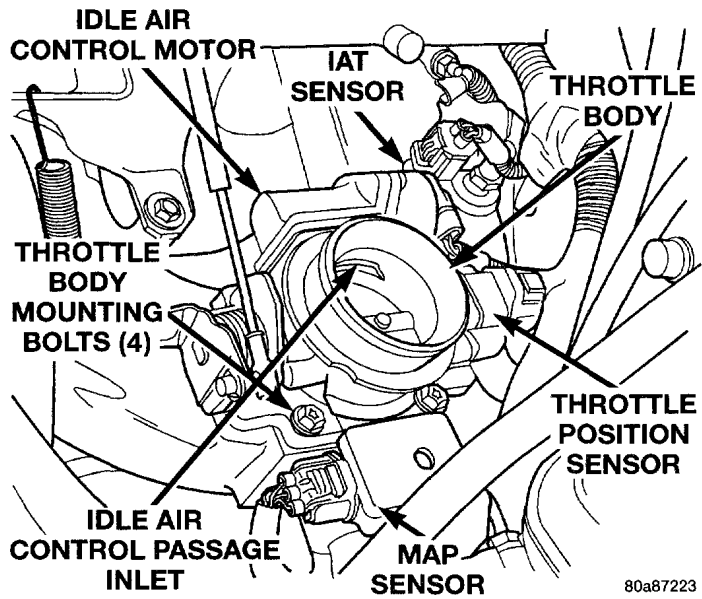
80aac28d

Components (itype_32)

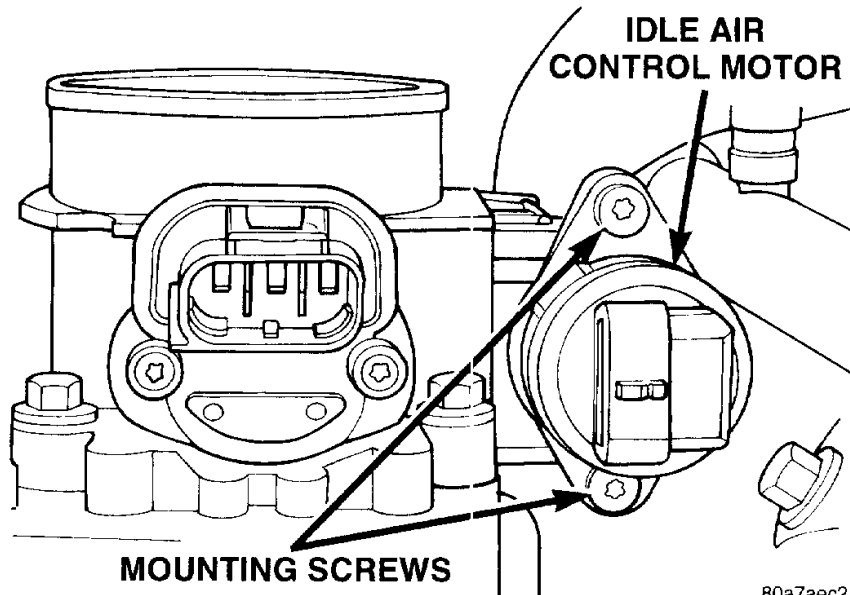


80a87223

Procedures (itype_376)



80a87223



80a7aec2

Mechanical (including Torque) (itype_28)

IAC Motor Mounting Bolts (screws) 7 Nm

Component Tests and General Diagnostics (itype_383)

To perform a complete test of the IAC motor and its circuitry, refer to DRB scan tool and appropriate Powertrain Diagnostics Procedures.