

Component Procedures: Clutch Disc

Table of Contents

1. Parts and Labor (itype_189)
2. Clutch Cover and Disc Removal (Article 2082350)

Component Procedures: Clutch Disc

Parts and Labor (itype_189)

Parts

Qualifier	Part #	Name	Price	Note
Disc	52107571	Disc	84.50	Order By Description.

Labor

Operation	Qualifier Path	Skill	Std Hrs	Wty Hrs
Replace	5-Speed	B	3.1	2.1
Replace	5-Speed > NOTE > To Pilot Bearing, Add	B	0.2	0.0
Replace	5-Speed > NOTE > To R&R Flywheel, Add	B	0.2	0.2
Replace	5-Speed > NOTE > To R&R Input Shaft Oil Seal,?	B	0.2	0.2

Clutch Cover and Disc Removal (Article 2082350)

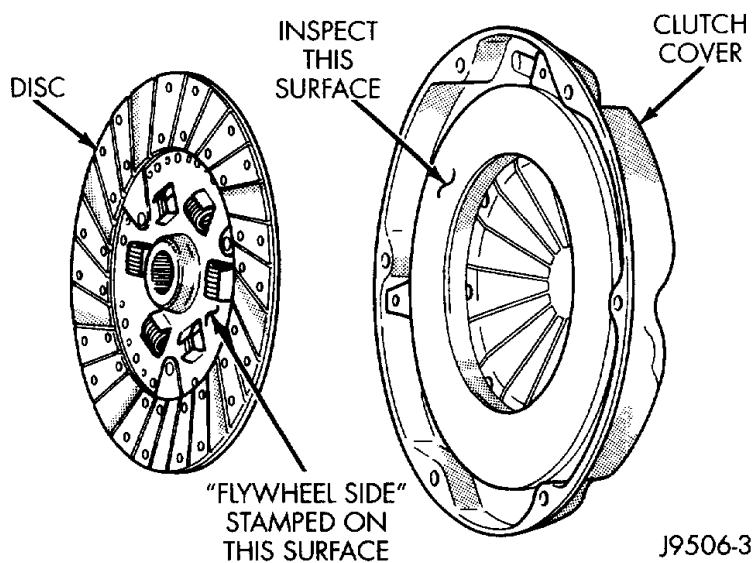


Fig. 4 Clutch Disc And Pressure Plate Inspection

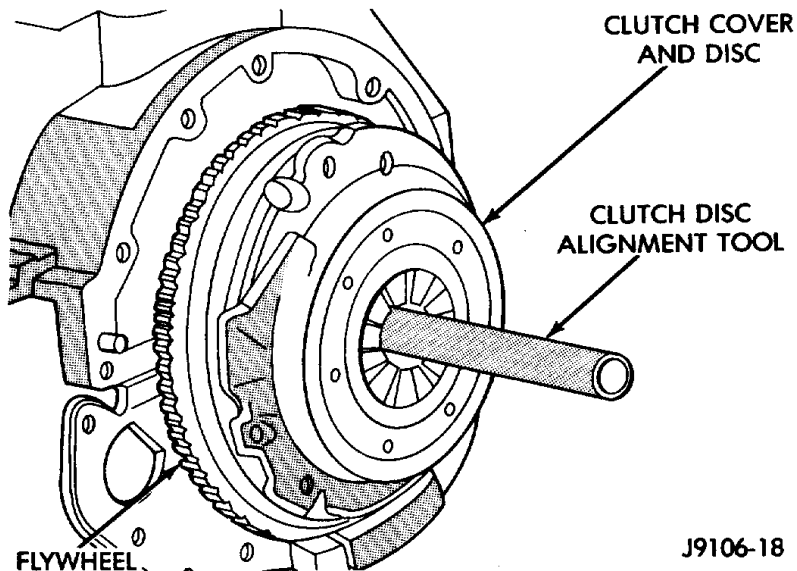


Fig. 5 Typical Method Of Aligning Clutch Disc