

# **Component Procedures: Clutch Release Bearing**

## **Table of Contents**

1. Parts and Labor (itype\_189)
2. Hydraulic Concentric Bearing (Article 2082515)

# Component Procedures: Clutch Release Bearing

## Parts and Labor (itype\_189)

### Parts

Qualifier	Part #	Name	Price	Note
Release Bearing	53008342	Release Bearing	198.00	

### Labor

Operation	Qualifier Path	Skill	Std Hrs	Wty Hrs
Replace	5-Speed	B	2.9	2.4

## Hydraulic Concentric Bearing (Article 2082515)

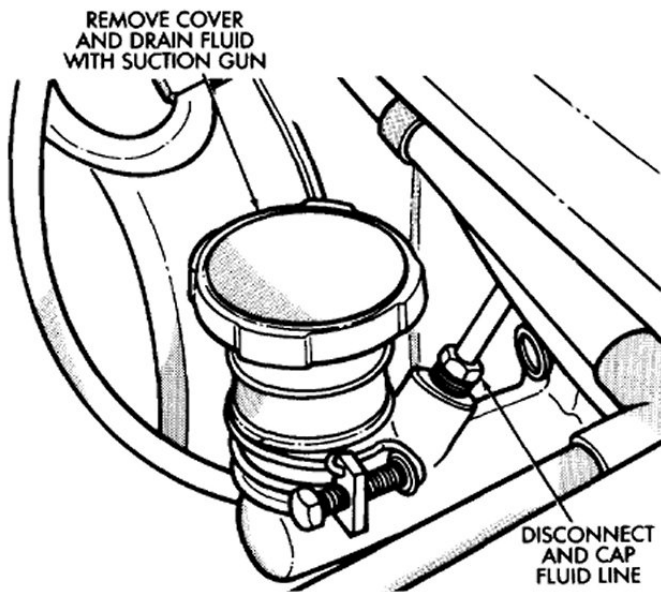


Fig. 6 Drain And Disconnect Cylinder

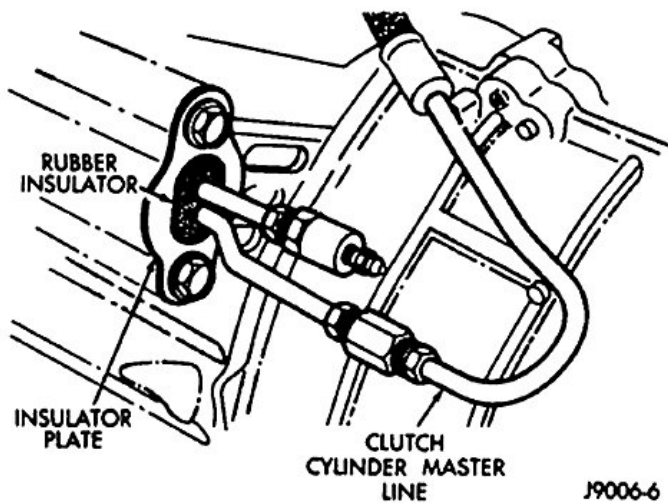


Fig. 16 Insulator, Plate And Bleed Screw – 6-Cyl

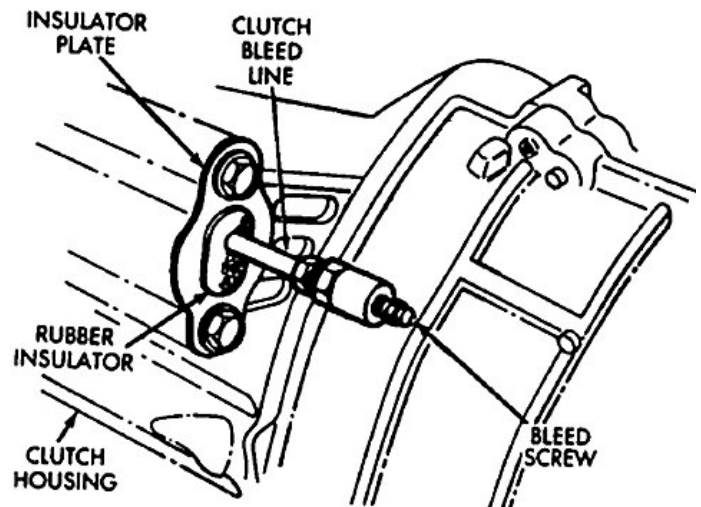
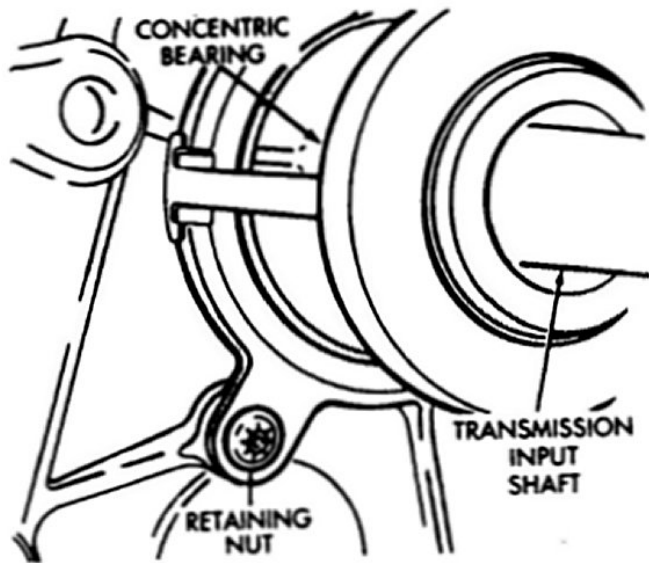
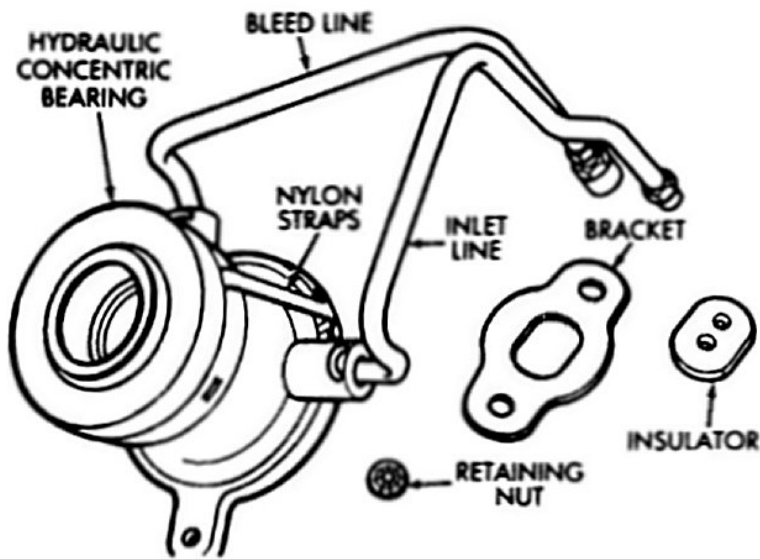


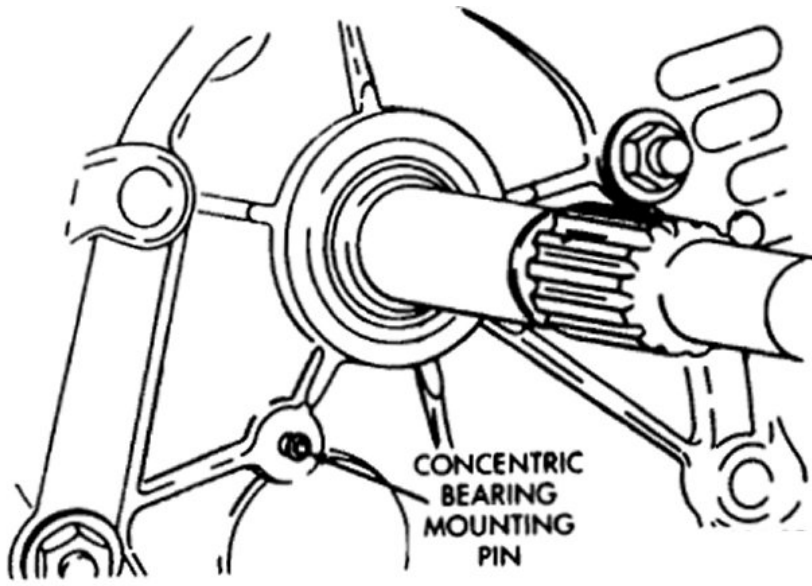
Fig. 17 Insulator, Plate And Bleed Screw – 4-Cyl



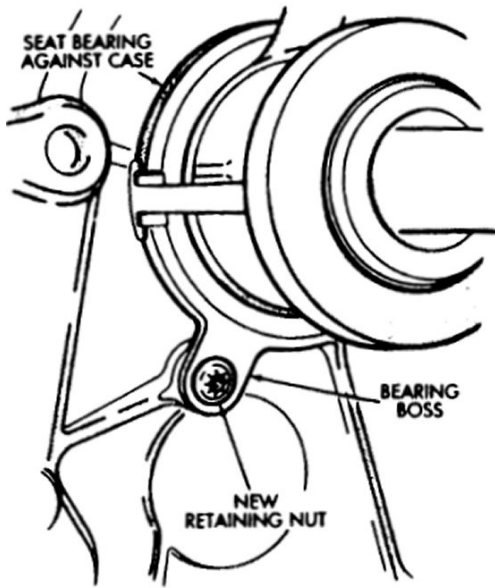
**Fig. 18 Retaining Nut Removal/Installation**



**Fig. 19 Concentric Bearing Components**



**Fig. 20 Concentric Bearing Mounting Pin**



**Fig. 21 Concentric Bearing Installation**