

Component Procedures: Shift Interlock Cable

Table of Contents

1. Adjustments (itype_5)
2. Parts and Labor (itype_189)

Component Procedures: Shift Interlock Cable

Adjustments (itype_5)

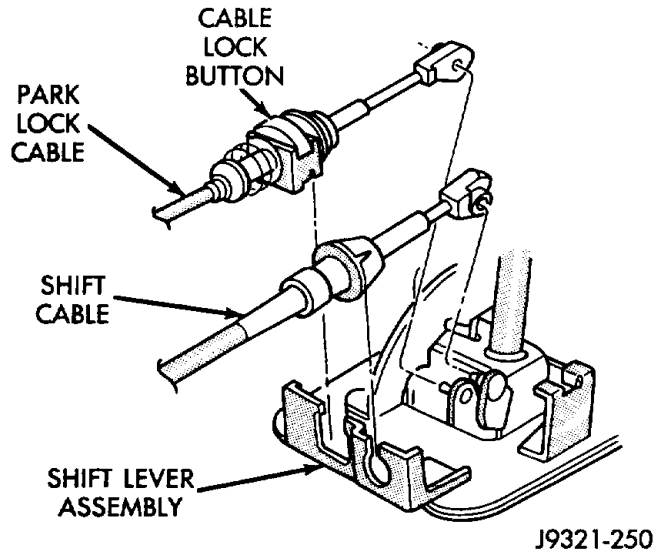


Fig. 176 Park Lock Cable Attachment

Parts and Labor (itype_189)

Labor

| Operation | Qualifier Path | Skill | Std Hrs | Wty Hrs |
|-----------|--------------------|-------|---------|---------|
| Replace | Cable and Solenoid | B | 0.9 | 0.7 |