

Component Procedures: Valve Body

Table of Contents

1. Parts and Labor (itype_189)
2. Removal and Installation (Article 2024206)
3. Disassembly and Assembly (Article 2024228)
4. Cleaning and Inspection (Article 2024211)
5. Mechanical (including Torque) (itype_28)

Component Procedures: Valve Body

Parts and Labor (itype_189)

Parts

Qualifier	Part #	Name	Price	Note
30RH/31RH/32RH > Valve Body ?	52118596	1 - Valve Body Assembly	0.00	
30RH/31RH/32RH > Valve Body ?	52118617	1 - Valve Body Assembly	0.00	
C-Clip > 30RH/31RH/32RH > Va?	6035208	7 - Snap Ring	0.00	
Detent Ball > 30RH/31RH/32RH?	147488	6 - Ball	0.00	
Filter > 30RH/31RH/32RH > Va?	3878313	13 - Screen	2.45	
Manual Control Lever > 30RH/?	4617439	10 - Manual Valve Lever	0.00	
Screw > 30RH/31RH/32RH > Cas?	6033826	15 - Screw	0.00	
Seal > 30RH/31RH/32RH > Case?	4505098	11 - Seal	13.75	
Seal > 30RH/31RH/32RH > Valv?	2466548	9 - Seal	0.00	
Spring > 30RH/31RH/32RH > Va?	4130492	5 - Spring	0.00	
Throttle Lever > 30RH/31RH/3?	3681227	12 - Seal	27.20	
Thrust Washer > 30RH/31RH/32?	2538062	8 - Washer	0.00	
Valve > 30RH/31RH/32RH > Val?	4505036	4 - Valve	0.00	

Labor

Operation	Qualifier Path	Skill	Std Hrs	Wty Hrs
Replace	30RH/31RH/32RH	B	1.3	0.9
Overhaul/Rebuild	30RH/31RH/32RH	B	2.6	1.7

Removal and Installation (Article 2024206)

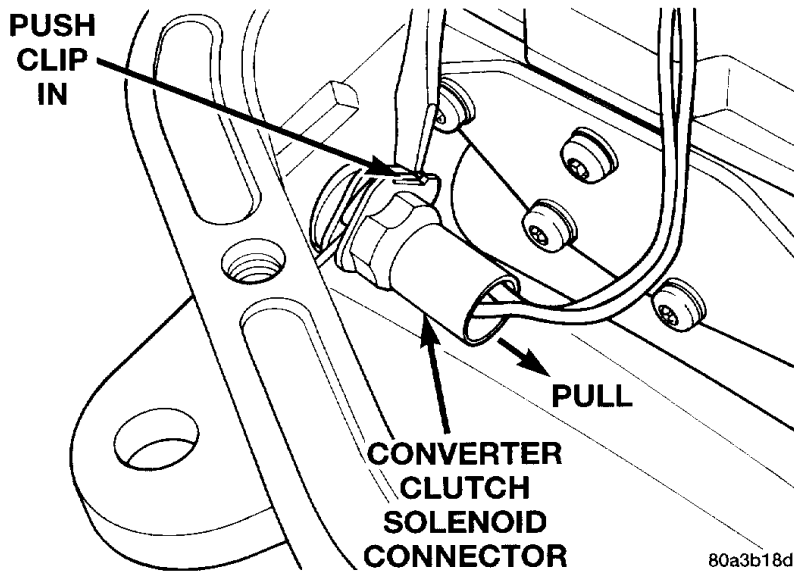
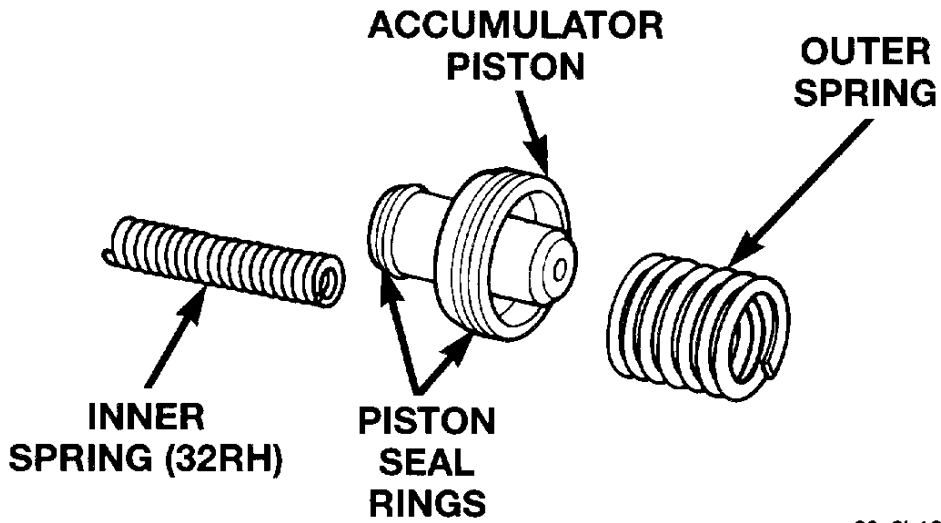
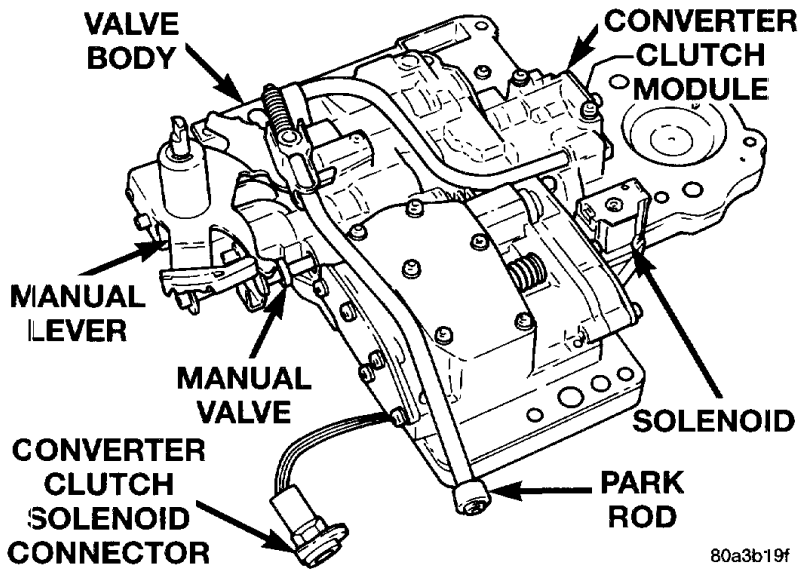


Fig. 27 Solenoid Wire Connector



80a3b190

Fig. 28 Accumulator Piston And Springs



80a3b19f

Fig. 29 Valve Body

Disassembly and Assembly (Article 2024228)

For information regarding the Service and Repair of this component and the system that it is a part of, please refer to
 Automatic Transmission
 /Transaxle; Service and Repair.

Cleaning and Inspection (Article 2024211)

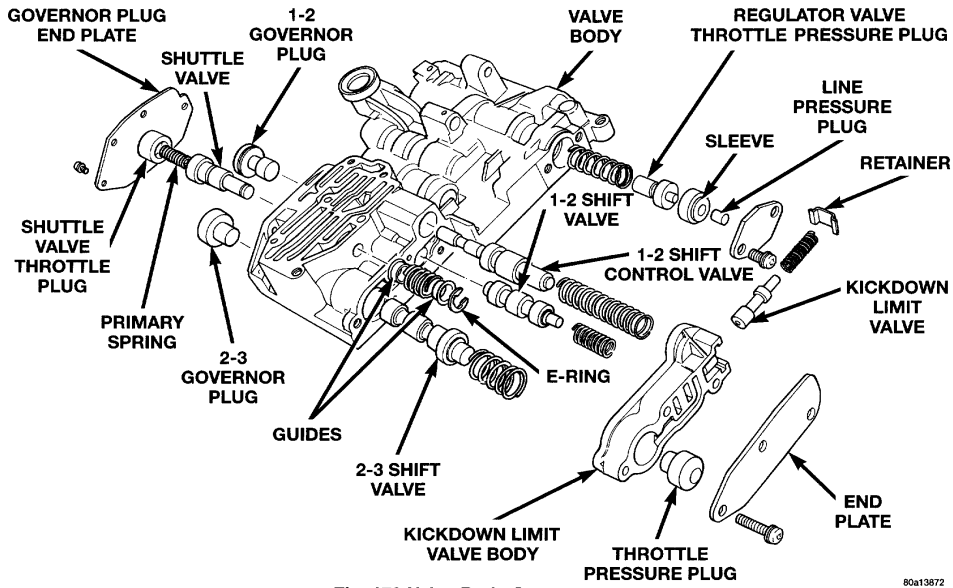


Fig. 170 Valve Body Components

80a13872

Mechanical (including Torque) (itype_28)

Bolt, Valve Body to Case 100 in.lb