

Component Procedures: Governor

Table of Contents

1. Parts and Labor (itype_189)
2. Removal and Installation (Article 2024447)
3. Disassembly and Assembly (Article 2024448)
4. Cleaning and Inspection (Article 2024449)

Component Procedures: Governor

Parts and Labor (itype_189)

Parts

Qualifier	Part #	Name	Price	Note
30RH/31RH/32RH > Seal Ring >?	1942109	1 - Ring	0.00	
30RH/31RH/32RH > Support > G?	3743518	2 - Support	0.00	
30RH/31RH/32RH > Governor Co?	52117938	6 - Governor Weight Pa?	14.55	Includes Inner Weight, Out?
30RH/31RH/32RH > Governor Bo?	4728460	7 - Governor Body Pack?	0.00	Includes Governor Body, Go?
30RH/31RH/32RH > Shaft > Gov?	1556082	8 - Shaft	0.00	
30RH/31RH/32RH > Valve > Clu?	4617064	9 - Governor Valve	0.00	
30RH/31RH/32RH > Snap Ring >?	6025668	15 - Ring	0.00	
30RH/31RH/32RH > Snap Ring >?	6031392	4 - Outer Snap Ring	0.00	
30RH/31RH/32RH > Snap Ring >?	6034723	5 - Inner Snap Ring	0.00	
30RH/31RH/32RH > Snap Ring >?	1638461	10 - Snap Ring, Valve ?	0.00	
30RH/31RH/32RH > Snap Ring >?	6027271	11 - Snap Ring	0.00	
30RH/31RH/32RH > Filter > Go?	3743519	12 - Filter	0.00	
30RH/31RH/32RH > Output Shaf?	4130537	13 - Bearing	64.45	
30RH/31RH/32RH > Bearing Spa?	4617799	14 - Output Bearing Sp?	3.50	
30RH/31RH/32RH > O-Ring > Go?	6032739	16 - O-ring	0.00	

Labor

Operation	Qualifier Path	Skill	Std Hrs	Wty Hrs
Replace	30RH/31RH/32RH > Governor Counterweight	B	2.8	2.0
Replace	30RH/31RH/32RH > Support	B	2.9	2.1
Overhaul/Rebuild	30RH/31RH/32RH	A	2.9	2.1

Removal and Installation (Article 2024447)

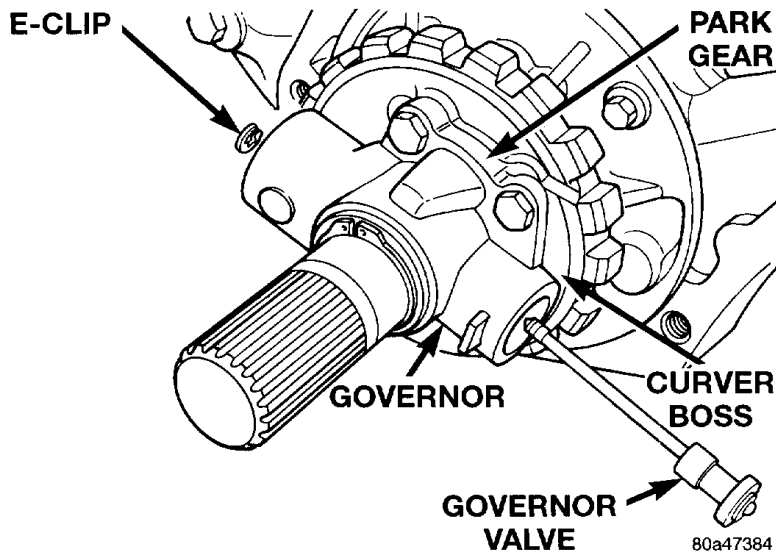


Fig. 31 Governor Valve

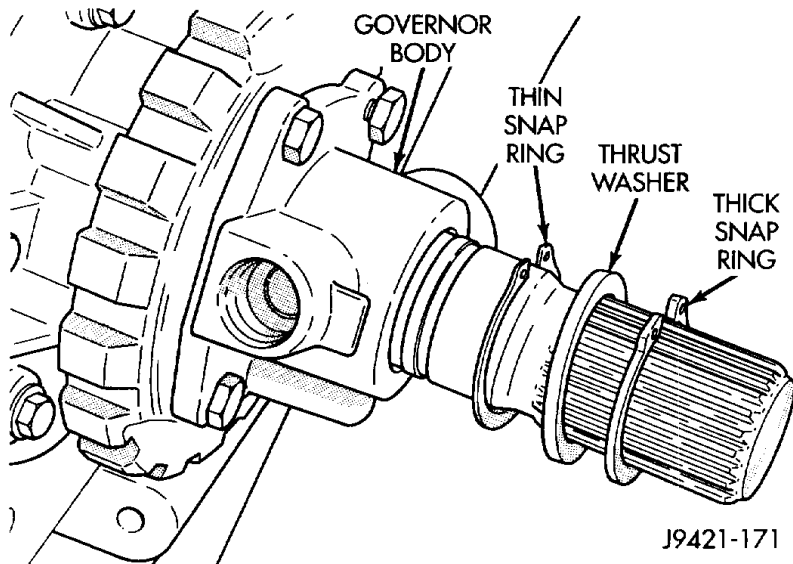


Fig. 32 Snap Rings And Spacer

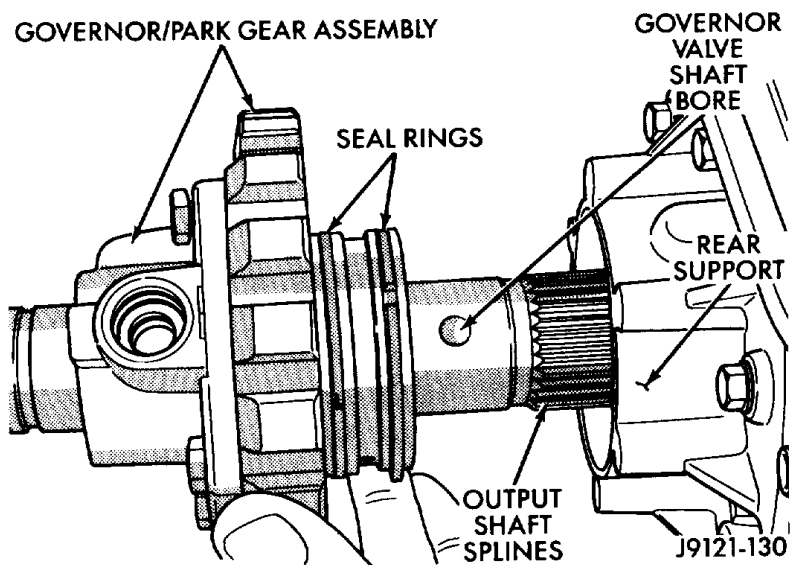


Fig. 33 Governor Body

Disassembly and Assembly (Article 2024448)

For information regarding the Service and Repair of this component and the system that it is a part of, please refer to
 Automatic Transmission
 /Transaxle; Service and Repair.

Cleaning and Inspection (Article 2024449)

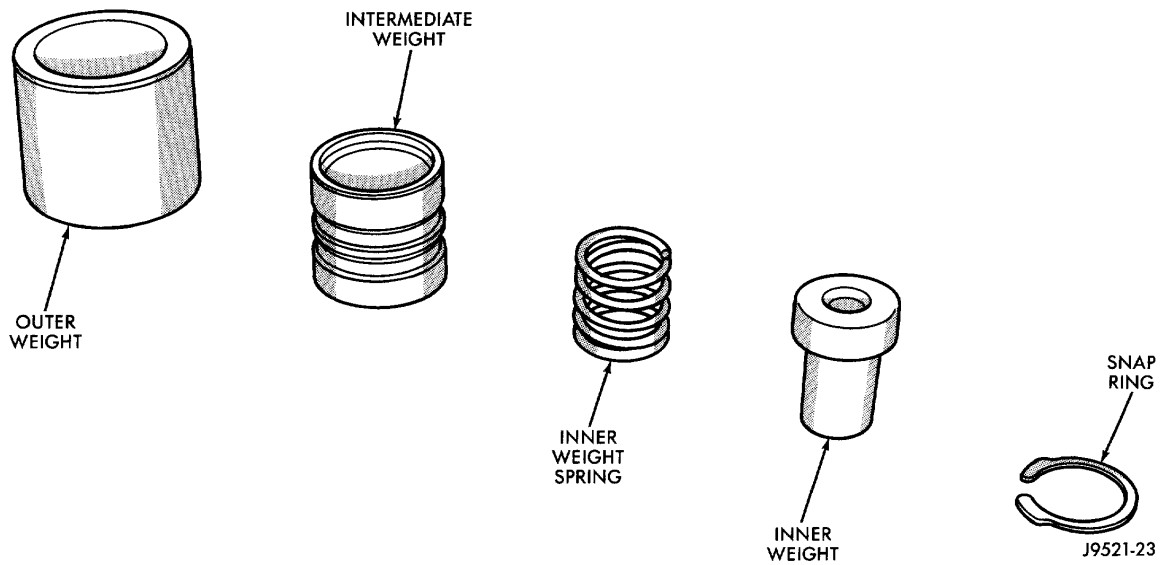


Fig. 165 Governor Weights

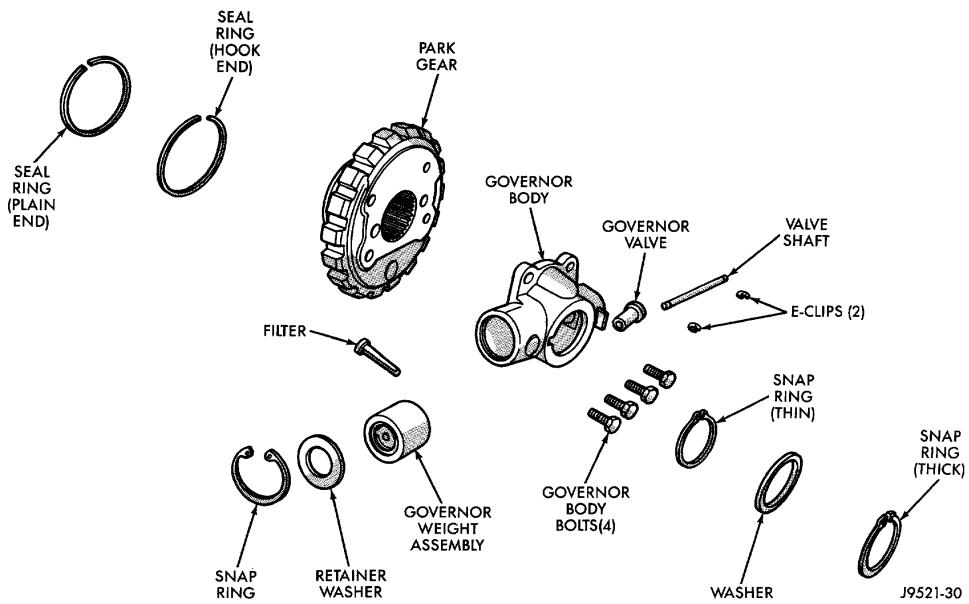


Fig. 166 Governor Components