

Component Procedures: Hydraulic Control Assembly - Antilock Brakes

Table of Contents

1. Parts and Labor (itype_189)
2. Hydraulic Control Unit (HCU) (Article 2027646)
3. Connector Views (itype_47)
4. Components (itype_32)
5. Hydraulic Control Unit (HCU) Replacement (Article 2027753)
6. HCU (Article 2025258)

Component Procedures: Hydraulic Control Assembly - Antilock Brakes

Parts and Labor (itype_189)

Parts

Qualifier	Part #	Name	Price	Note
Hydraulic Unit	52127930	Anti-lock Brake Compon?	0.00	

Labor

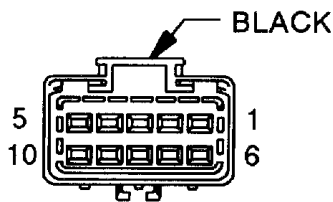
Operation	Qualifier Path	Skill	Std Hrs	Wty Hrs
Replace	Hydraulic Unit	B	1.6	1.2

Hydraulic Control Unit (HCU) (Article 2027646)

Non Standards

- Description (2027647)
- Chassis Diagnostic Procedures (2027675)

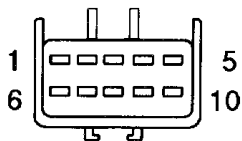
Connector Views (itype_47)



HYDRAULIC CONTROL UNIT

HYDRAULIC CONTROL UNIT - BLACK 10 WAY

CAV	CIRCUIT	FUNCTION
1	B47 14RD/LB	ABS SYSTEM RELAY OUTPUT
2	B251 20WT/BK	REAR INLET VALVE CONTROL
3	B249 20WT/DG	RIGHT FRONT INLET VALVE CONTROL
4	B245 20WT/LG	LEFT FRONT INLET VALVE CONTROL
5	-	-
6	-	-
7	B254 20DG/OR	REAR OUTLET VALVE CONTROL
8	B248 20DG/WT	RIGHT FRONT OUTLET VALVE CONTROL
9	B243 20DG/BK	LEFT FRONT OUTLET VALVE CONTROL
10	B47 14RD/LB	ABS SYSTEM RELAY OUTPUT

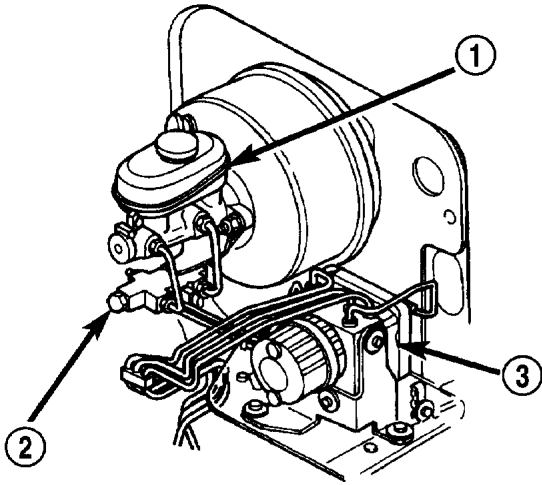


HYDRAULIC CONTROL UNIT (HCU) (HCU SIDE)

HYDRAULIC CONTROL UNIT (HCU SIDE) - 10 WAY

CAV	CIRCUIT	FUNCTION
1	-	ABS SYSTEM RELAY OUTPUT
2	-	REAR INLET VALVE CONTROL
3	-	RIGHT FRONT INLET VALVE CONTROL
4	-	LEFT FRONT INLET VALVE CONTROL
5	-	-
6	-	-
7	-	REAR OUTLET VALVE CONTROL
8	-	RIGHT FRONT OUTLET VALVE CONTROL
9	-	LEFT FRONT OUTLET VALVE CONTROL
10	-	ABS SYSTEM RELAY OUTPUT

Components (itype_32)

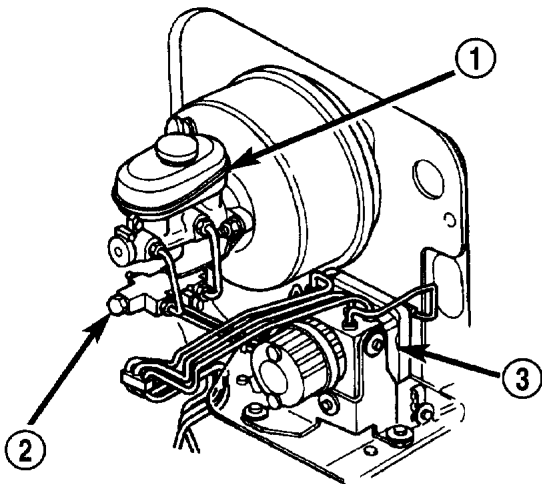


80a18d4c

Fig. 6 HCU Brake Lines

- 1 - MASTER CYLINDER
- 2 - COMBINATION VALVE
- 3 - HCU

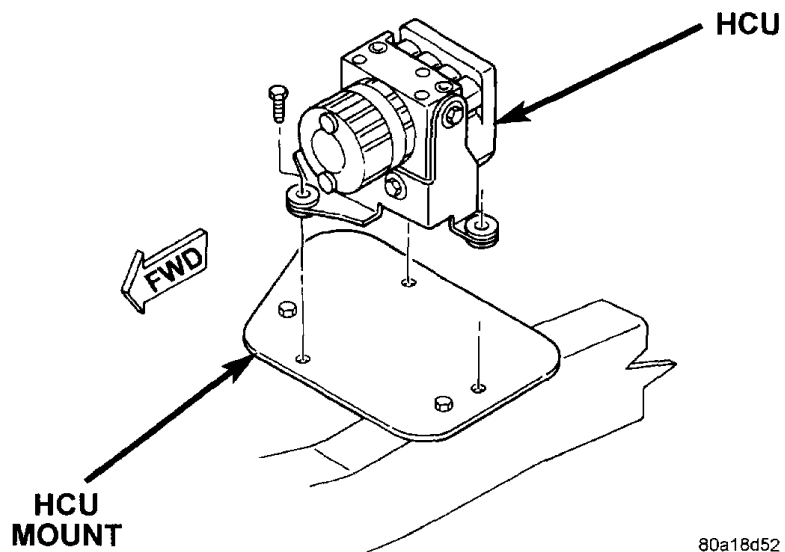
Hydraulic Control Unit (HCU) Replacement (Article 2027753)



80a18d4c

Fig. 6 HCU Brake Lines

- 1 - MASTER CYLINDER
- 2 - COMBINATION VALVE
- 3 - HCU



80a18d52

HCU (Article 2025258)

Bracket To

HCU

Bolts 6.5 Nm (57 inch lbs.)

Body Bracket Bolts 16 - 24 Nm (142 - 212 inch lbs.)

HCU To Body Bracket Bolts 9 - 13 Nm (80 - 115 inch lbs.)