

# **Component Procedures: Acceleration/Deceleration Sensor**

## **Table of Contents**

1. Parts and Labor (itype\_189)
2. Components (itype\_392)
3. Connector Views (itype\_47)
4. Components (itype\_32)
5. Procedures (itype\_376)
6. Mechanical (including Torque) (itype\_28)

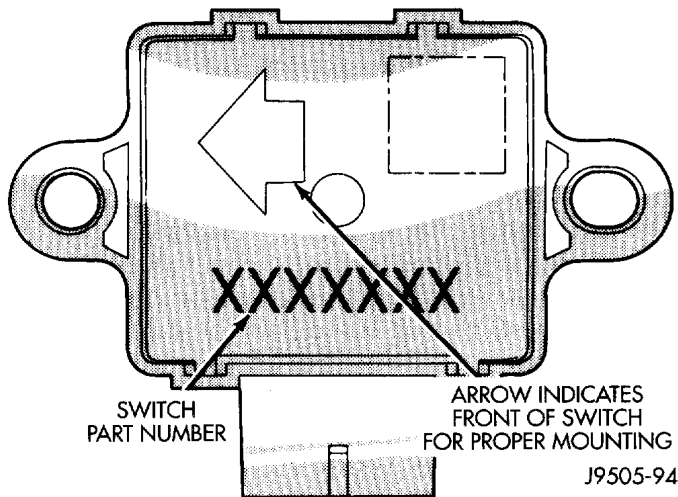
# Component Procedures: Acceleration/Deceleration Sensor

## Parts and Labor (itype\_189)

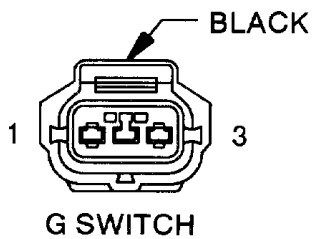
### Parts

Qualifier	Part #	Name	Price	Note
Acceleration Switch Assembly	56006315	Anti-lock Brake Compon?	0.00	

## Components (itype\_392)



## Connector Views (itype\_47)

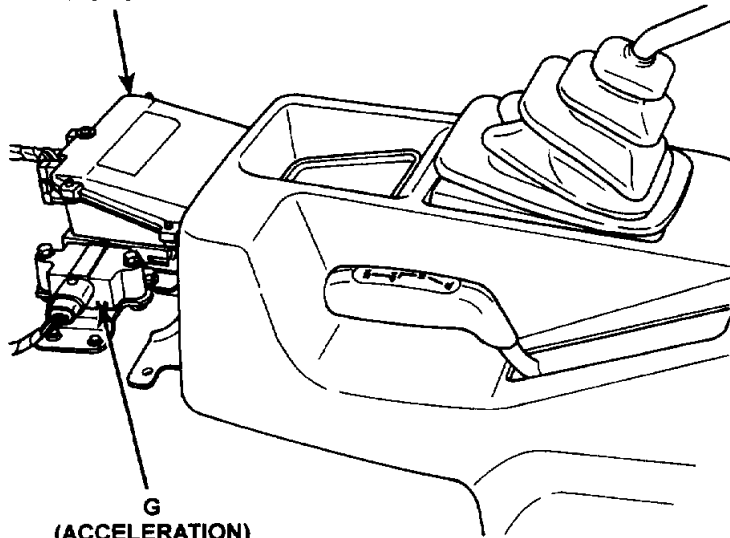


### G SWITCH - BLACK 3 WAY

CAV	CIRCUIT	FUNCTION
1	B42 20TN/WT	G SWITCH NO. 2 SENSE
2	B41 20YL/VT	G SWITCH NO. 1 SENSE
3	B43 20PK/OR	G SWITCH TEST SIGNAL

## Components (itype\_32)

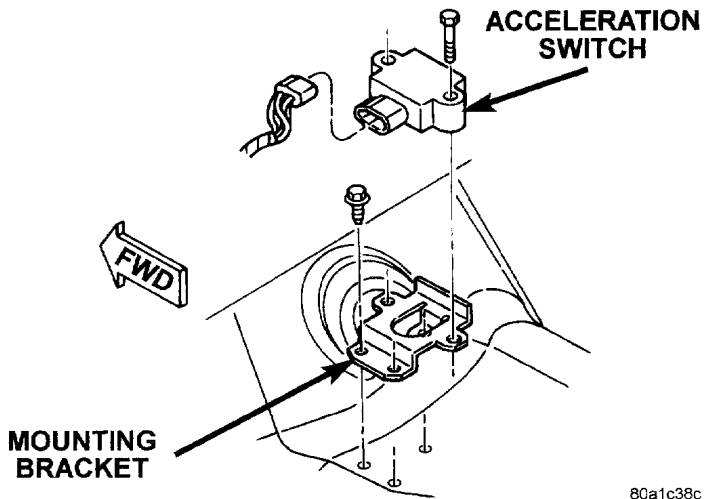
**AIRBAG CONTROL  
MODULE**



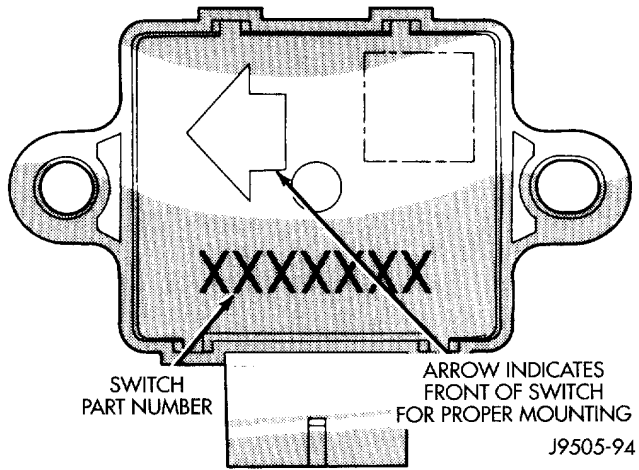
**G  
(ACCELERATION)  
SWITCH SENSOR**

80a48361

**Procedures (itype\_376)**



80a1c38c



### **Mechanical (including Torque) (itype\_28)**

Sensor Bolt ..... 4-5 Nm (35-45 inch lbs.)

Bracket Bolt ..... 8-13 Nm (75-115 inch lbs.)