

# Component Procedures: Torque Converter

## Table of Contents

1. Parts and Labor (itype\_189)
2. Removal and Installation (Article 2084204)
3. Mechanical (including Torque) (itype\_28)

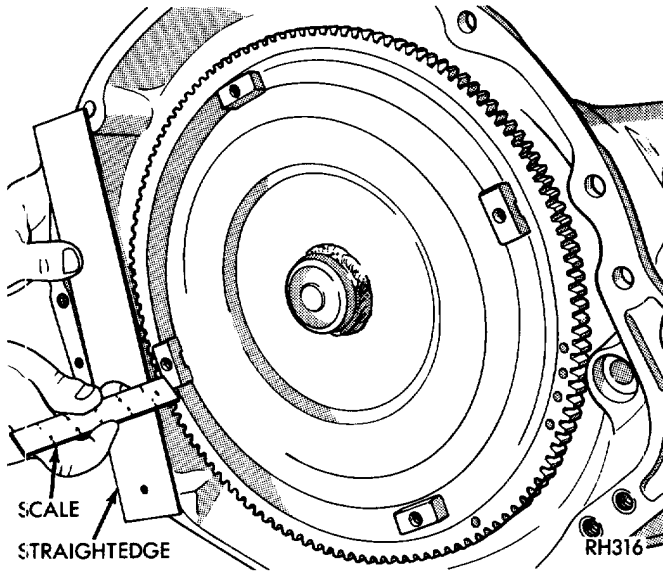
# Component Procedures: Torque Converter

## Parts and Labor (itype\_189)

### Labor

Operation	Qualifier Path	Skill	Std Hrs	Wty Hrs
Replace	30RH/31RH/32RH	B	4.8	3.1

## Removal and Installation (Article 2084204)



**Fig. 20 Checking Torque Converter Seating**

## Mechanical (including Torque) (itype\_28)

Bolt, Torque Converter 23 ft.lb