

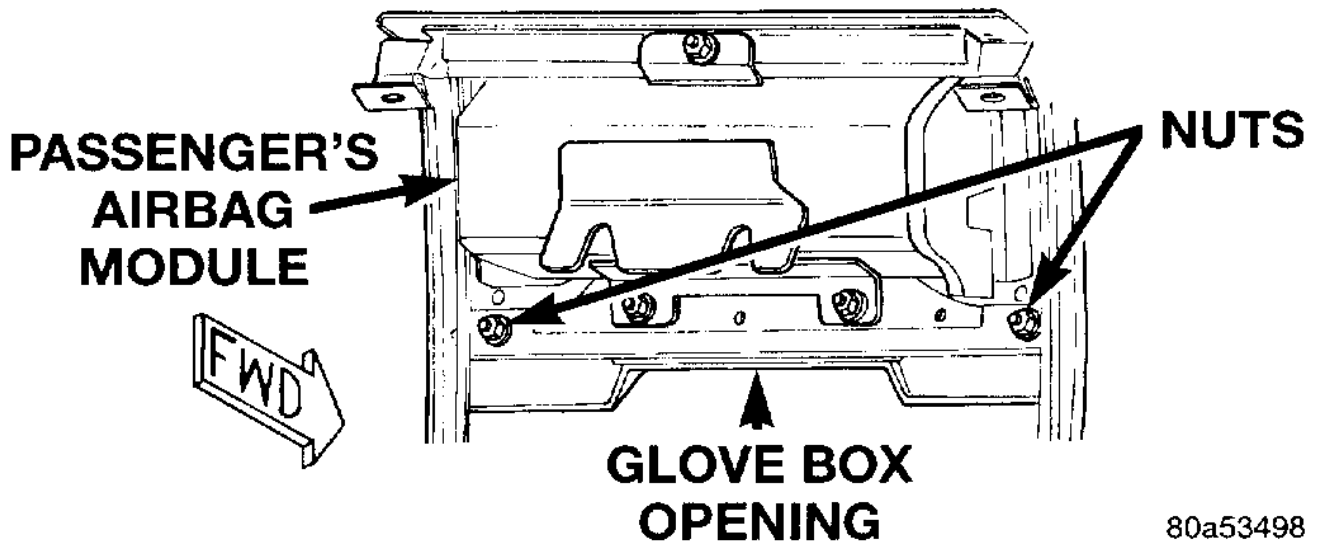
# **Component Procedures: Dashboard / Instrument Panel**

## **Table of Contents**

1. Grab Handle (Article 2028935)
2. Grab Handle Bezel (Article 2028936)
3. Instrument Panel Accessory Switch Bezel Replacement (Article 2028924)
4. Instrument Panel Assembly Replacement (Article 2028847)
5. Instrument Panel Base (Article 2028937)
6. Instrument Panel Center Bezel Replacement (Article 2028853)
7. Instrument Panel Top Cover Replacement (Article 2028856)
8. Kick Cover Removal and Installation (Article 2028939)

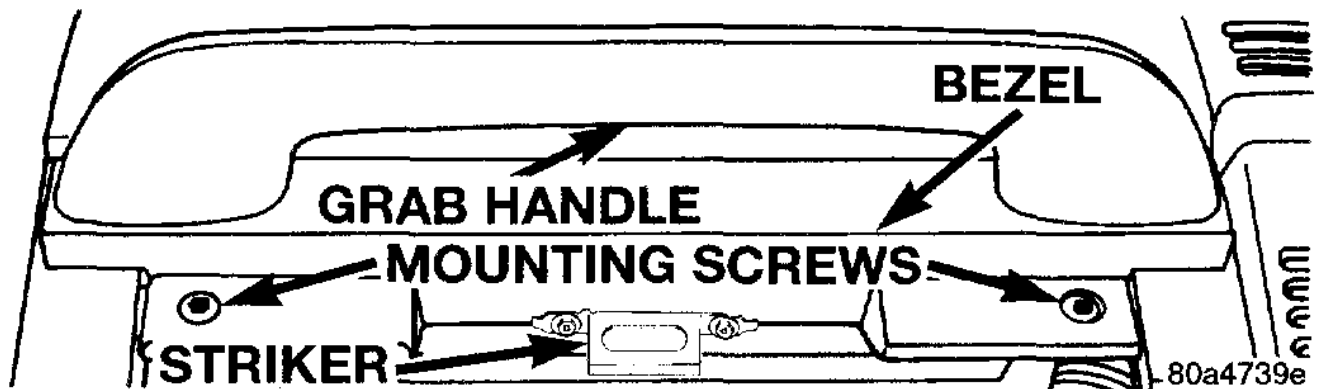
## Component Procedures: Dashboard / Instrument Panel

### Grab Handle (Article 2028935)



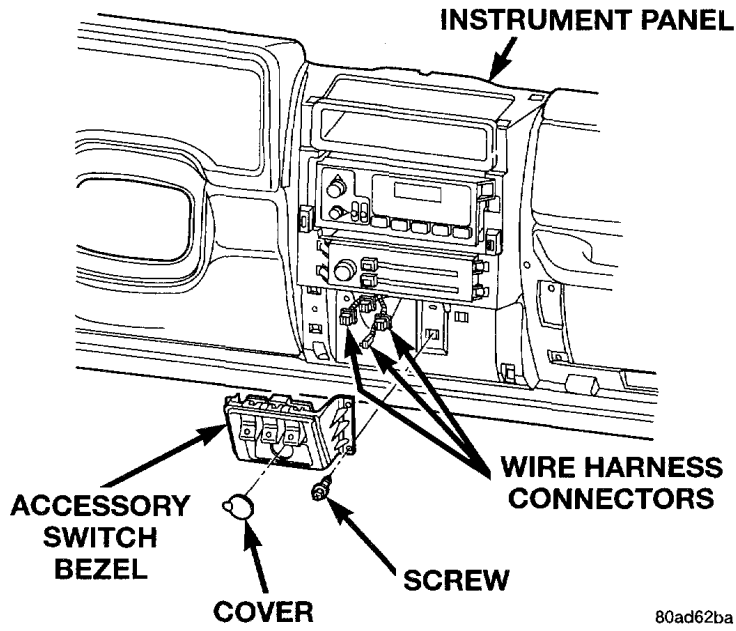
80a53498

### Grab Handle Bezel (Article 2028936)

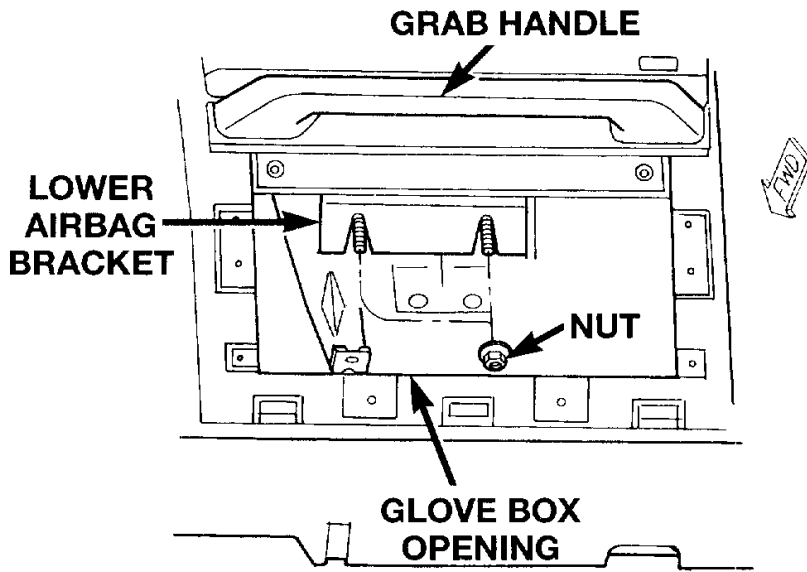


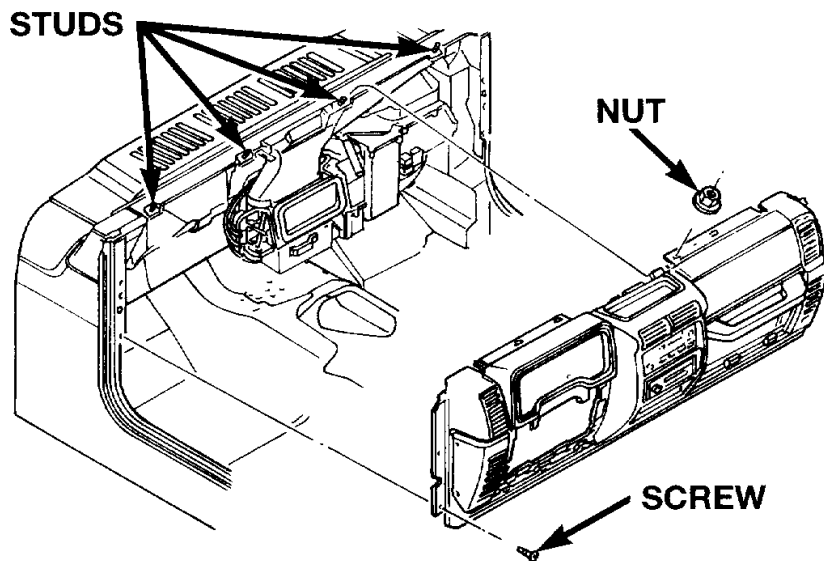
80a4739e

### Instrument Panel Accessory Switch Bezel Replacement (Article 2028924)



Instrument Panel Assembly Replacement (Article 2028847)





80a483b5

### Instrument Panel Base (Article 2028937)

**WARNING: ON VEHICLES EQUIPPED WITH AIR-BAGS, REFER TO AIRBAG AND SEAT BELTS/AIR BAGS BEFORE ATTEMPTING ANY STEERING WHEEL, STEERING COLUMN, OR INSTRUMENT PANEL COMPONENT DIAGNOSIS OR SERVICE. FAILURE TO TAKE THE PROPER PRECAUTIONS COULD RESULT IN ACCIDENTAL AIR-BAG DEPLOYMENT AND POSSIBLE PERSONAL INJURY**

#### REMOVAL

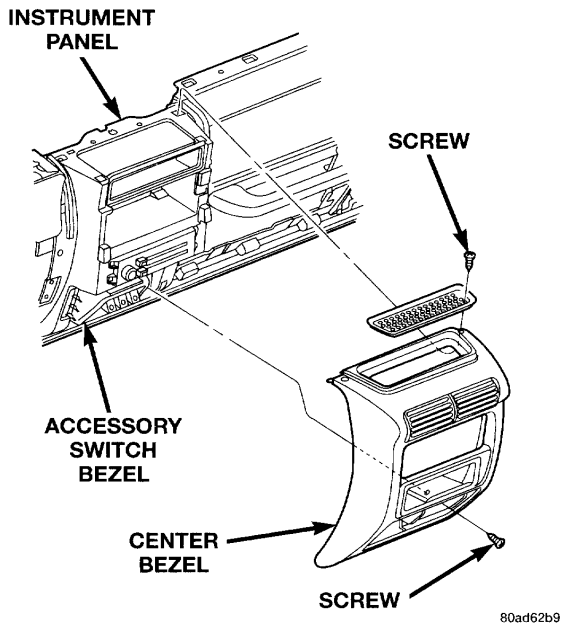
1. Disconnect and isolate the battery negative cable.
2. Remove the instrument cluster from the instrument panel.  
See: Instrument Cluster / Carrier > Procedures > Instrument Cluster Replacement
3. Remove the accessory switch bezel from the instrument panel.  
See: Dashboard / Instrument Panel > Procedures > Instrument Panel Accessory Switch Bezel Replacement
4. Remove the grab handle bezel from the instrument panel.  
See: Dashboard / Instrument Panel > Procedures > Grab Handle Bezel
5. Remove the speaker bezels from the instrument panel.  
See: Speaker > Procedures
6. Remove the radio from the instrument panel.  
See: Radio/Stereo > Procedures
7. Remove the heater-A/C control from the instrument panel.  
See: Control Assembly, HVAC > Procedures
8. Remove the outboard heater-A/C panel outlets from the instrument panel.  
See: Air Duct > Procedures
9. Remove the instrument panel assembly from the vehicle.  
See: Dashboard / Instrument Panel > Procedures > Instrument Panel Assembly Replacement
10. Place the instrument panel on a suitable work surface. Be certain to take the proper precautions to protect the instrument panel from any possible cosmetic damage.
11. Remove the passenger side airbag door from the instrument panel.  
See: Air Bag > Procedures
12. Remove the two screws that secure the 16-way data link wire harness connector to the instrument panel.
13. Remove the screws around the perimeter that secure the base trim to the instrument panel.
14. Remove the base trim from the instrument panel.

#### INSTALLATION

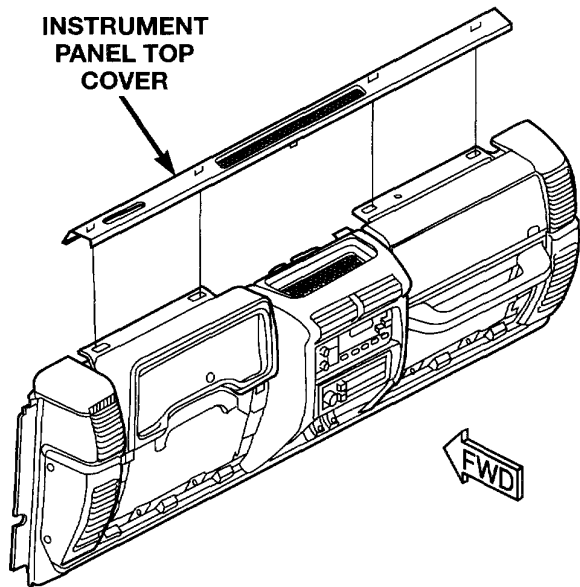
1. Position the base trim onto the instrument panel.

2. Install and tighten the screws around the perimeter that secure the base trim to the instrument panel.  
Tighten the screws to  
2.2 Nm (20 in. lbs.)
3. Install and tighten the two screws that secure the 16-way data link wire harness connector to the instrument panel. Tighten the screws to
4. Install the passenger side airbag door onto the instrument panel.
5. Install the instrument panel assembly into the vehicle.
6. Install the outboard heater-A/C panel outlets onto the instrument panel.
7. Install the heater-A/C control onto the instrument panel.
8. Install the radio onto the instrument panel.
9. Install the speaker bezels onto the instrument panel.
10. Install the grab handle bezel onto the instrument panel.
11. Install the accessory switch bezel onto the instrument panel.
12. Install the instrument cluster  
onto the instrument panel.
13. Reconnect the battery negative cable.

### Instrument Panel Center Bezel Replacement (Article 2028853)



### Instrument Panel Top Cover Replacement (Article 2028856)



80add401

### Kick Cover Removal and Installation (Article 2028939)

