

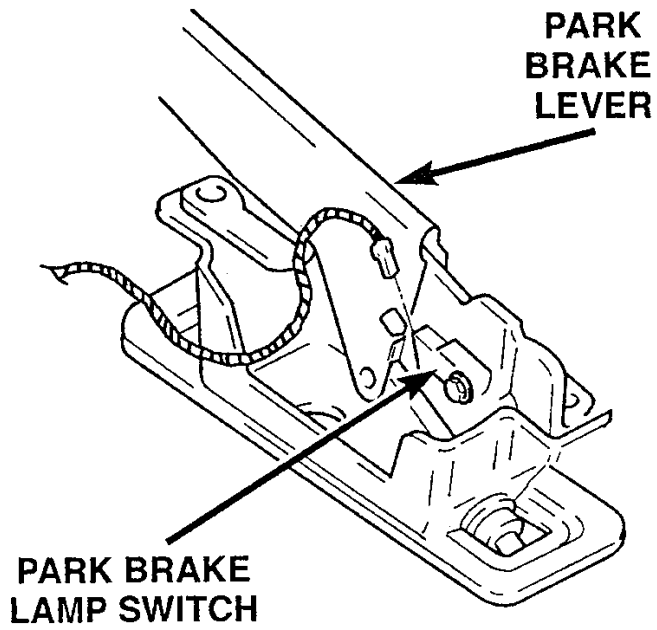
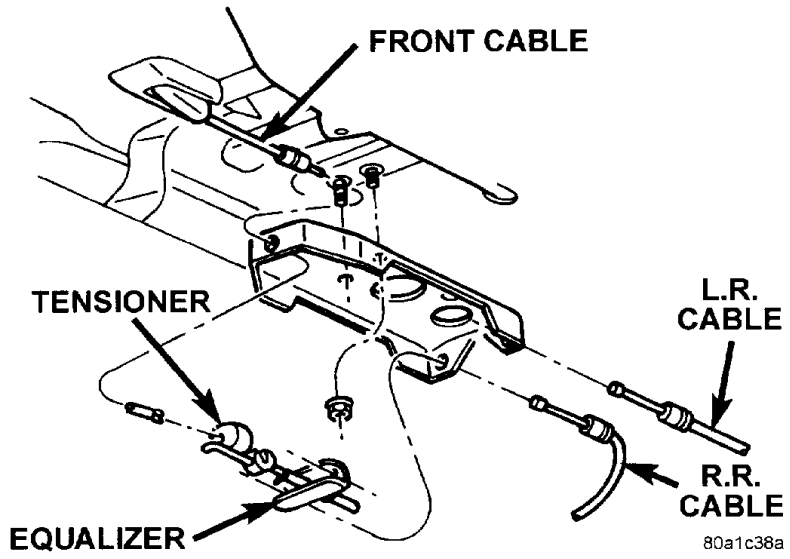
Component Procedures: Parking Brake Lever

Table of Contents

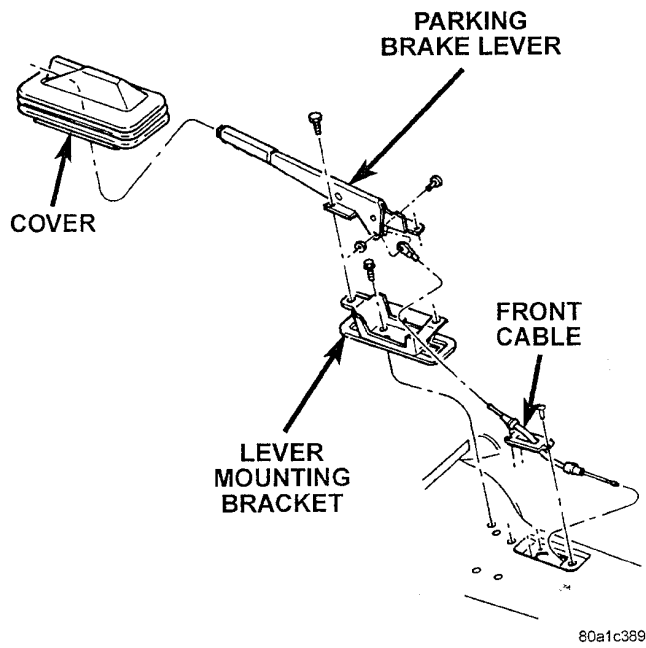
1. Procedures (itype_376)
2. Mechanical (including Torque) (itype_28)

Component Procedures: Parking Brake Lever

Procedures (itype_376)



80a1c39c



Mechanical (including Torque) (itype_28)

- Lever Bolts 12 Nm (108 inch lbs.)
- Lever Bracket Bolts 12 Nm (108 inch lbs.)