

Component Procedures: Throttle Valve Cable/Linkage

Table of Contents

1. Adjustments (itype_5)
2. Parts and Labor (itype_189)

Component Procedures: Throttle Valve Cable/Linkage

Adjustments (itype_5)

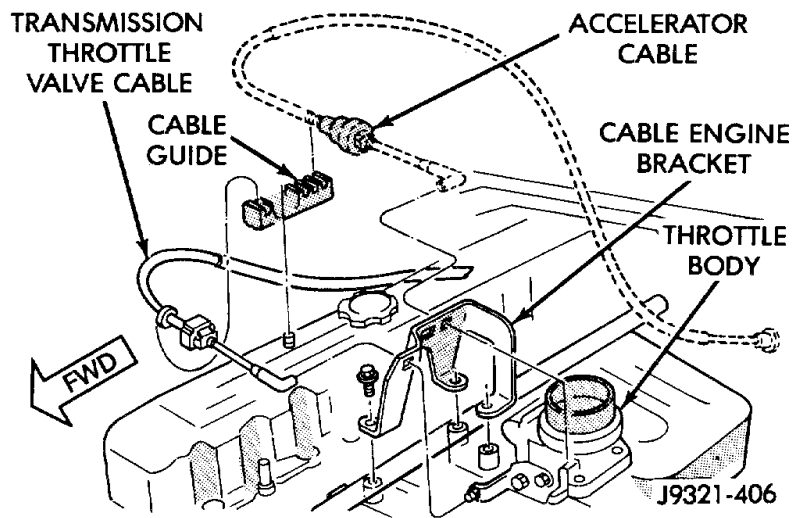


Fig. 177 Throttle Cable Attachment At Engine

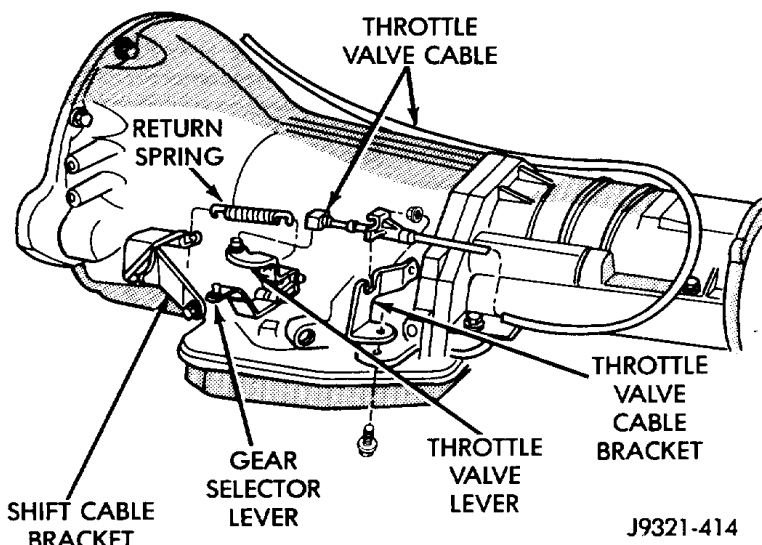


Fig. 178 Throttle Cable Attachment At Transmission

Parts and Labor (itype_189)

Labor

Operation	Qualifier Path	Skill	Std Hrs	Wty Hrs
Replace	Fb 1348736 - Chilton	B	2.0	1.3