

# **Component Procedures: Clutch Master Cylinder**

## **Table of Contents**

1. Parts and Labor (itype\_189)
2. Master Cylinder Replacement (Article 2084044)

# Component Procedures: Clutch Master Cylinder

## Parts and Labor (itype\_189)

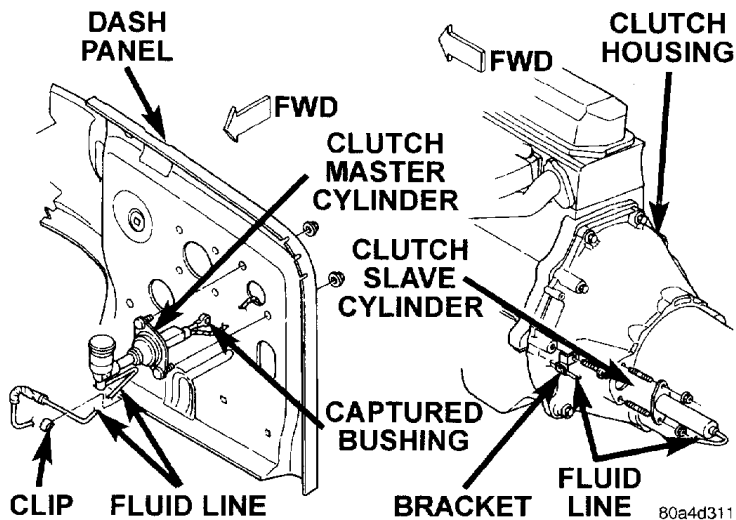
### Parts

Qualifier	Part #	Name	Price	Note
Master Cylinder	52107653AB	Master Cylinder	305.00	94-05 Includes: Master & S?

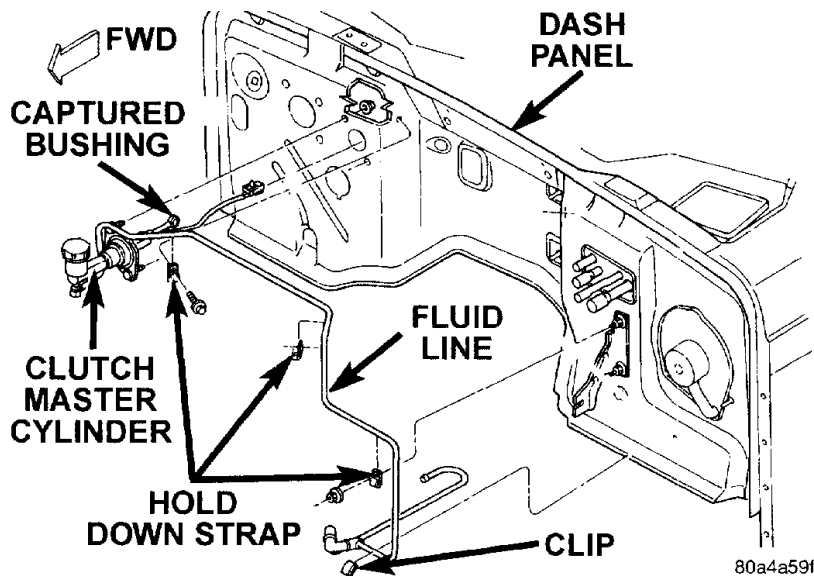
### Labor

Operation	Qualifier Path	Skill	Std Hrs	Wty Hrs
Replace	Master and Slave Assembly	B	1.3	0.9

## Master Cylinder Replacement (Article 2084044)



**Fig. 9 Slave Cylinder and Left Hand Drive Clutch Master Cylinder**



**Fig. 10 Right Hand Drive Clutch Master Cylinder**