

Component Procedures: Hydraulic Hose

Table of Contents

1. Procedures (itype_376)

Component Procedures: Hydraulic Hose

Procedures (itype_376)

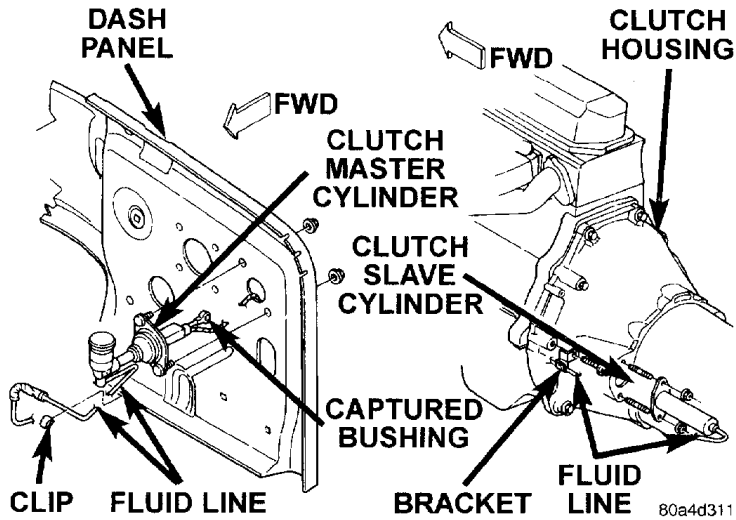


Fig. 9 Slave Cylinder and Left Hand Drive Clutch Master Cylinder

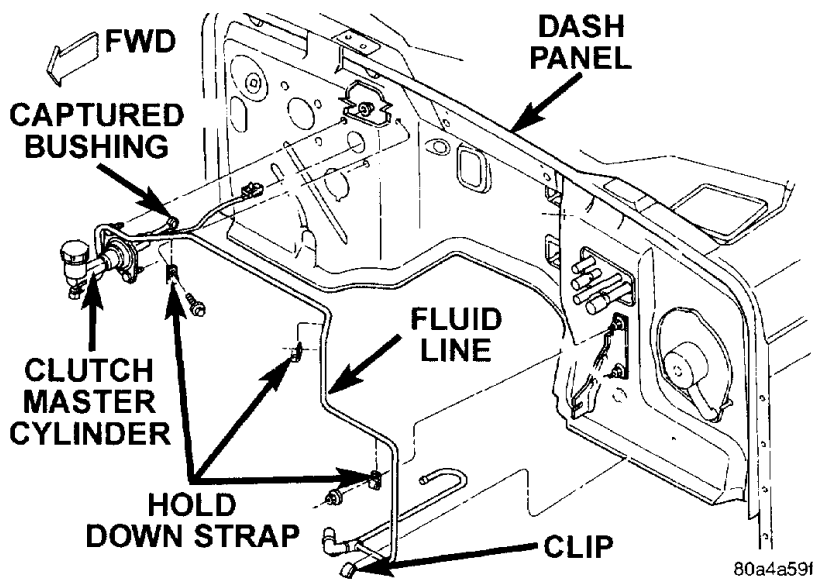


Fig. 10 Right Hand Drive Clutch Master Cylinder