

# **Component Procedures: Clutch Pedal Assembly**

## **Table of Contents**

1. Parts and Labor (itype\_189)
2. Procedures (itype\_376)

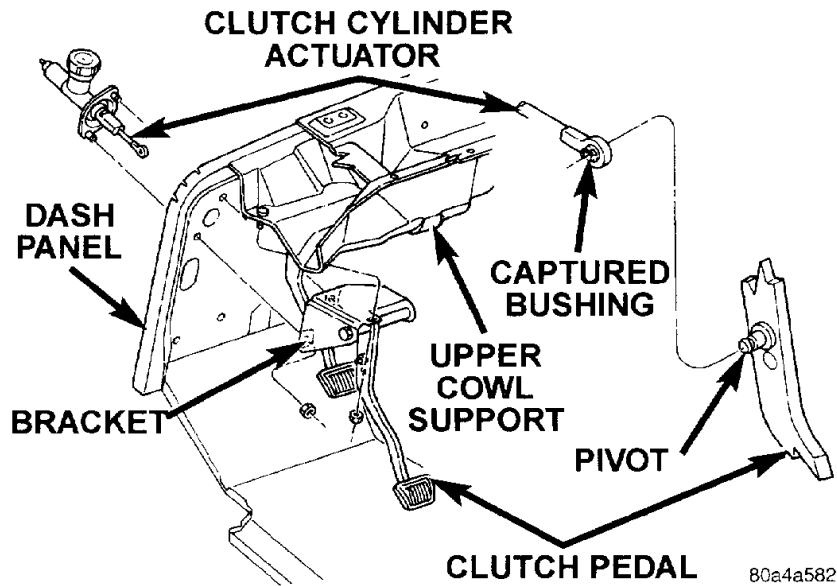
# Component Procedures: Clutch Pedal Assembly

## Parts and Labor (itype\_189)

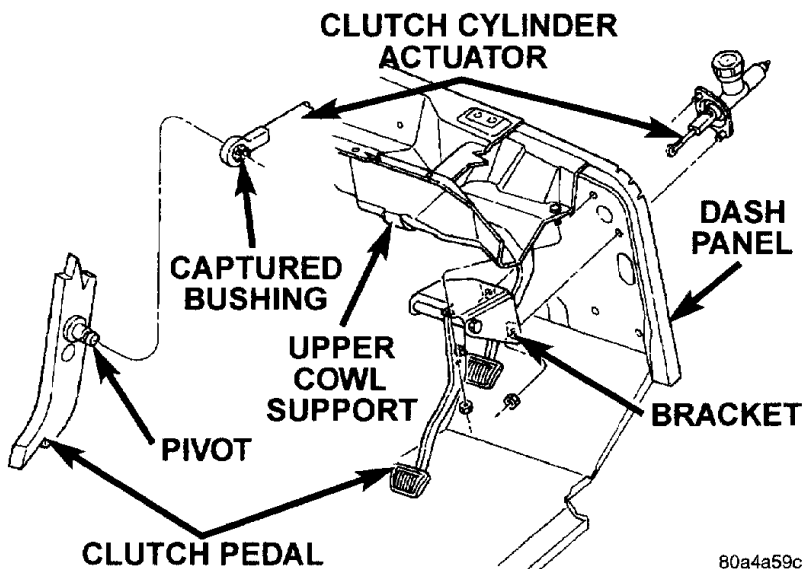
### Labor

Operation	Qualifier Path	Skill	Std Hrs	Wty Hrs
Replace	Pedal Shaft Bushing	B	0.7	0.6
Replace	Pedal Shaft Bushing > NOTE > With AC, Add	B	0.2	0.2

### Procedures (itype\_376)



**Fig. 11 Clutch Pedal Mounting**



**Fig. 12 Clutch Pedal Mounting—Right Hand Drive**