

# Component Procedures: Fuel Injector

## Table of Contents

1. Parts and Labor (itype\_189)
2. Components (itype\_392)
3. Fuel Injector No.1 - Black 2 Way (Article 2084098)
4. Fuel Injector No.2 - Black 2 Way (Article 2084099)
5. Fuel Injector No.3 - Black 2 Way (Article 2084100)
6. Fuel Injector No.4 - Black 2 Way (Article 2084101)
7. Components (itype\_32)
8. Procedures (itype\_376)
9. Electrical (itype\_27)
10. Fuel Pressure Leak Down Test (Article 2084167)
11. Component Tests and General Diagnostics (itype\_383)

# Component Procedures: Fuel Injector

## Parts and Labor (itype\_189)

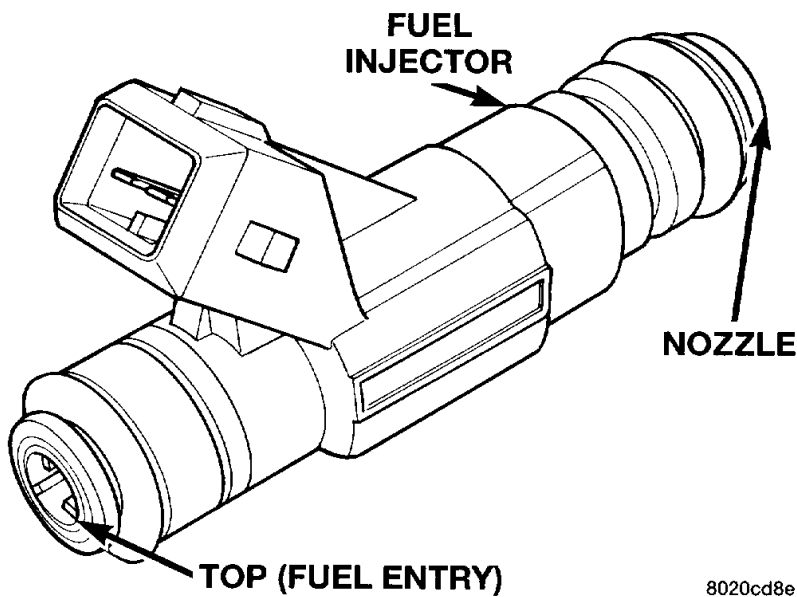
### Parts

Qualifier	Part #	Name	Price	Note
Injector	53030778	Injector	80.60	Order By Description.

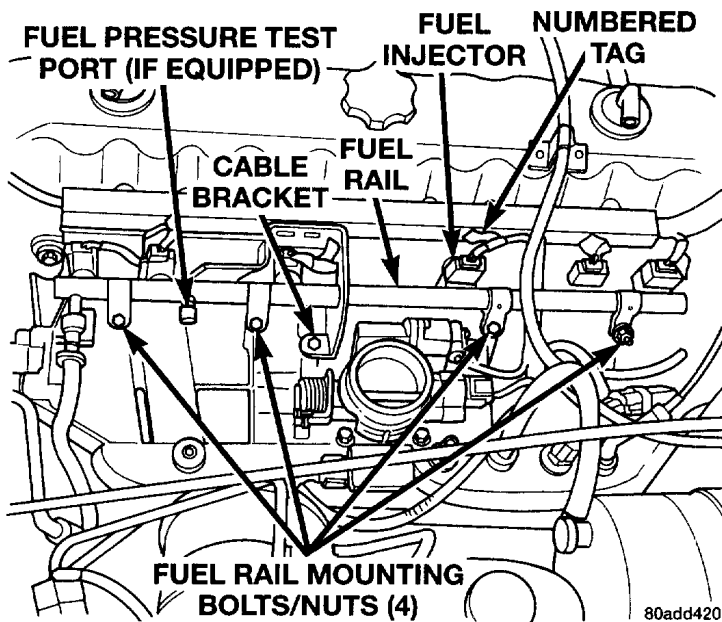
### Labor

Operation	Qualifier Path	Skill	Std Hrs	Wty Hrs
Replace	Injector > One or All	B	0.6	0.3

## Components (itype\_392)

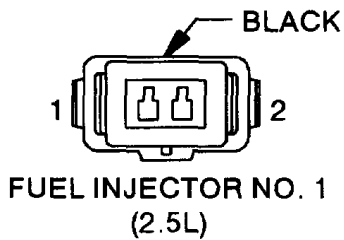


8020cd8e



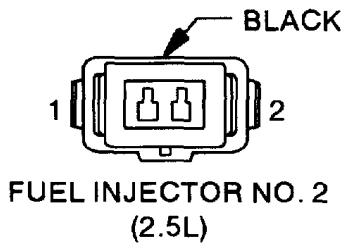
80add420

Fuel Injector No.1 - Black 2 Way (Article 2084098)



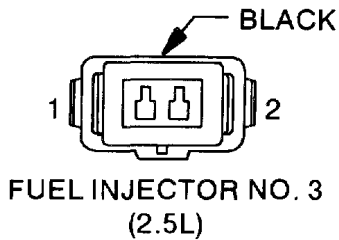
FUEL INJECTOR NO. 1 (2.5L) - BLACK 2 WAY		
CAV	CIRCUIT	FUNCTION
1	K42 18DG/LG	AUTOMATIC SHUT DOWN RELAY OUTPUT
2	K11 18WT/DB	FUEL INJECTOR NO. 1 DRIVER

**Fuel Injector No.2 - Black 2 Way (Article 2084099)**



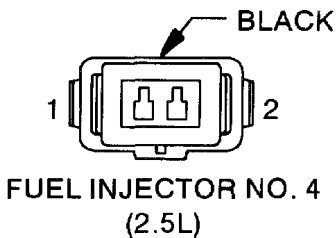
FUEL INJECTOR NO. 2 (2.5L) - BLACK 2 WAY		
CAV	CIRCUIT	FUNCTION
1	K42 18DG/LG	AUTOMATIC SHUT DOWN RELAY OUTPUT
2	K12 18TN	FUEL INJECTOR NO. 2 DRIVER

**Fuel Injector No.3 - Black 2 Way (Article 2084100)**



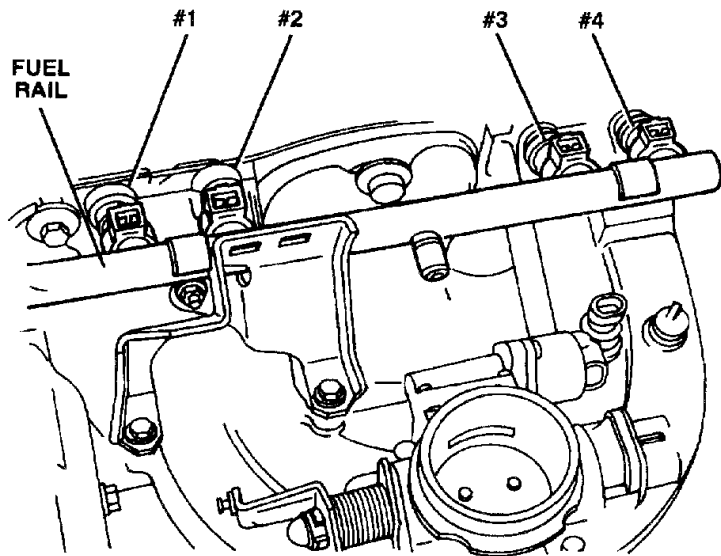
FUEL INJECTOR NO. 3 (2.5L) - BLACK 2 WAY		
CAV	CIRCUIT	FUNCTION
1	K42 18DG/LG	AUTOMATIC SHUT DOWN RELAY OUTPUT
2	K13 18YL/WT	FUEL INJECTOR NO. 3 DRIVER

**Fuel Injector No.4 - Black 2 Way (Article 2084101)**



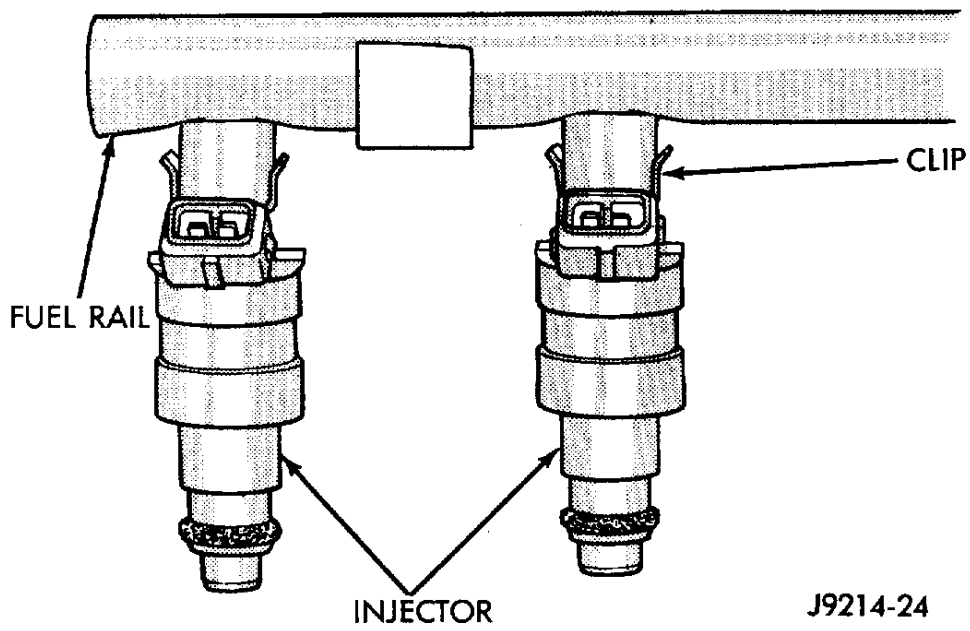
FUEL INJECTOR NO. 4 (2.5L) - BLACK 2 WAY		
CAV	CIRCUIT	FUNCTION
1	K42 18DG/LG	AUTOMATIC SHUT DOWN RELAY OUTPUT
2	K14 18LB/BR	FUEL INJECTOR NO. 4 DRIVER

**Components (itype\_32)**

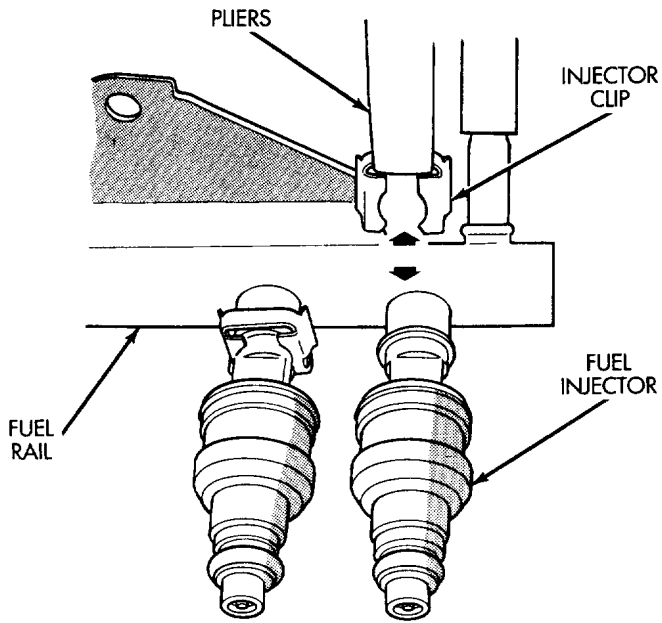


80b09806

Procedures (itype\_376)



J9214-24



**Electrical (itype\_27)**

Fuel injector resistance 12 +/- 1.2 ohms @ 68 deg F

**Fuel Pressure Leak Down Test (Article 2084167)**

