

Component Procedures: Camshaft Position Sensor

Table of Contents

1. Parts and Labor (itype_189)
2. Components (itype_392)
3. Connector Views (itype_47)
4. Components (itype_32)
5. Connectors (itype_33)
6. Procedures (itype_376)
7. Component Tests and General Diagnostics (itype_383)

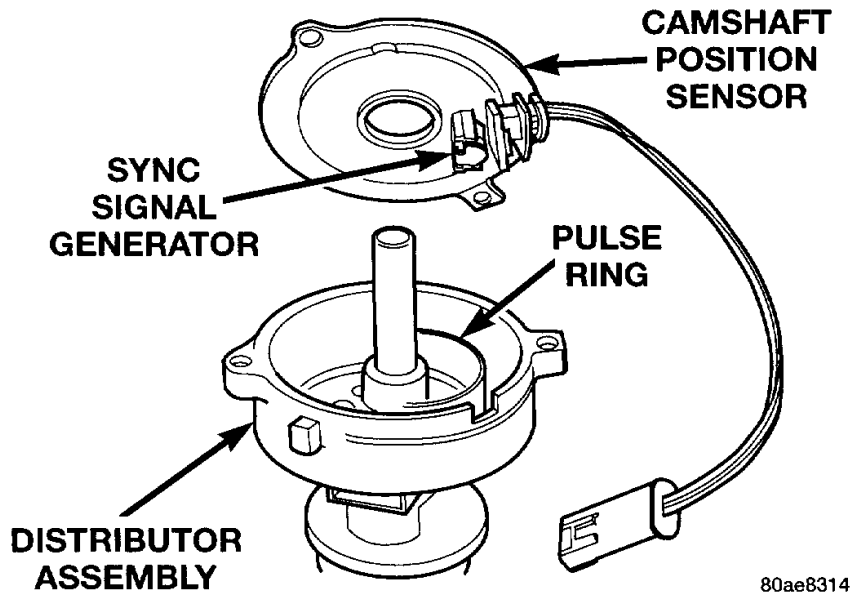
Component Procedures: Camshaft Position Sensor

Parts and Labor (itype_189)

Labor

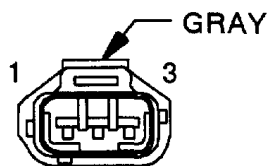
| Operation | Qualifier Path | Skill | Std Hrs | Wty Hrs |
|-----------|-------------------------------|-------|---------|---------|
| Replace | Camshaft Position Sensor, R&R | B | 0.3 | 0.2 |

Components (itype_392)



80ae8314

Connector Views (itype_47)

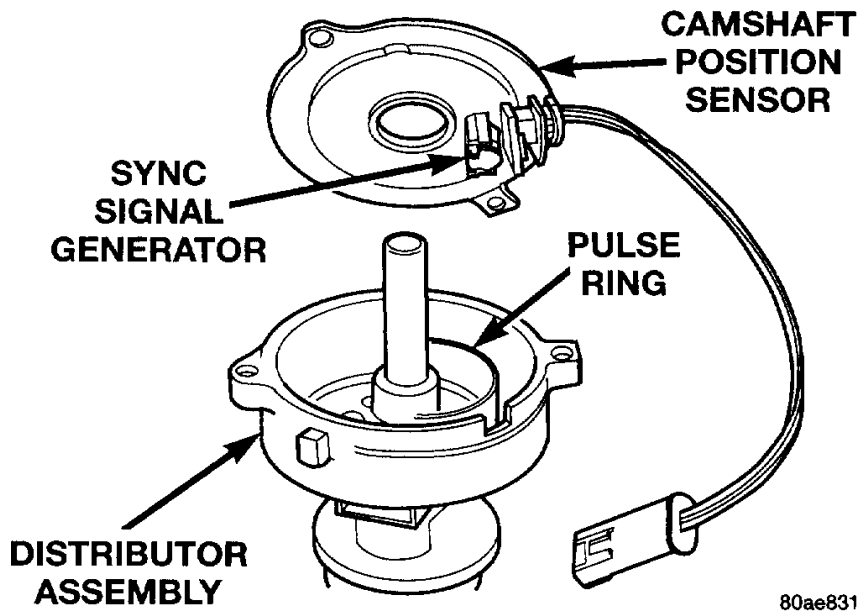


CAMSHAFT POSITION SENSOR

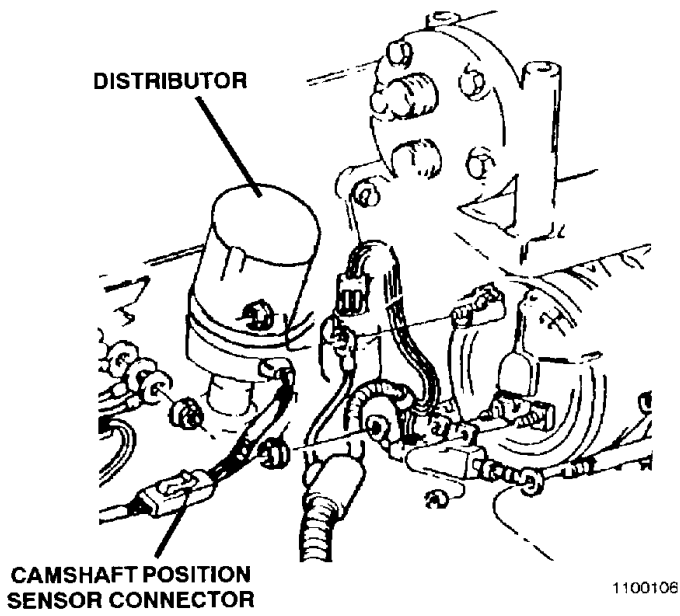
CAMSHAFT POSITION SENSOR - GRAY 3 WAY

| CAV | CIRCUIT | FUNCTION |
|-----|--------------|---------------------------------|
| 1 | K44 18TN/YL | CAMSHAFT POSITION SENSOR SIGNAL |
| 2 | K167 20BR/YL | SENSOR GROUND |
| 3 | K7 200R | 5V SUPPLY |

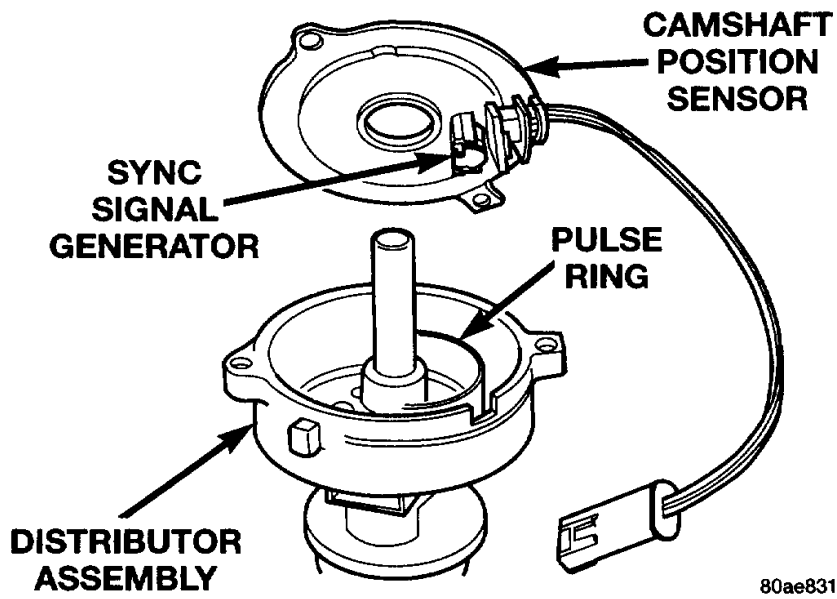
Components (itype_32)



Connectors (itype_33)



Procedures (itype_376)



Component Tests and General Diagnostics (itype_383)

