

# Component Procedures: Oxygen Sensor

## Table of Contents

1. Parts and Labor (itype\_189)
2. OBD-II Heated Oxygen Sensor Numbering Convention (Article 2089262)
3. Components (itype\_392)
4. Oxygen Sensor (Sensor Side) (Article 2083551)
5. Oxygen Sensor 1/1 Upstream - Gray 4 Way (Article 2083552)
6. Oxygen Sensor 1/2 Downstream - Black 4 Way (Article 2083553)
7. Oxygen Sensor Bank Locations (Article 2083719)
8. Oxygen Sensor Location (Article 2083722)
9. Oxygen Sensor Location Key (Article 2083717)
10. Procedures (itype\_376)
11. Mechanical (including Torque) (itype\_28)
12. Component Testing (Article 2051176)

# Component Procedures: Oxygen Sensor

## Parts and Labor (itype\_189)

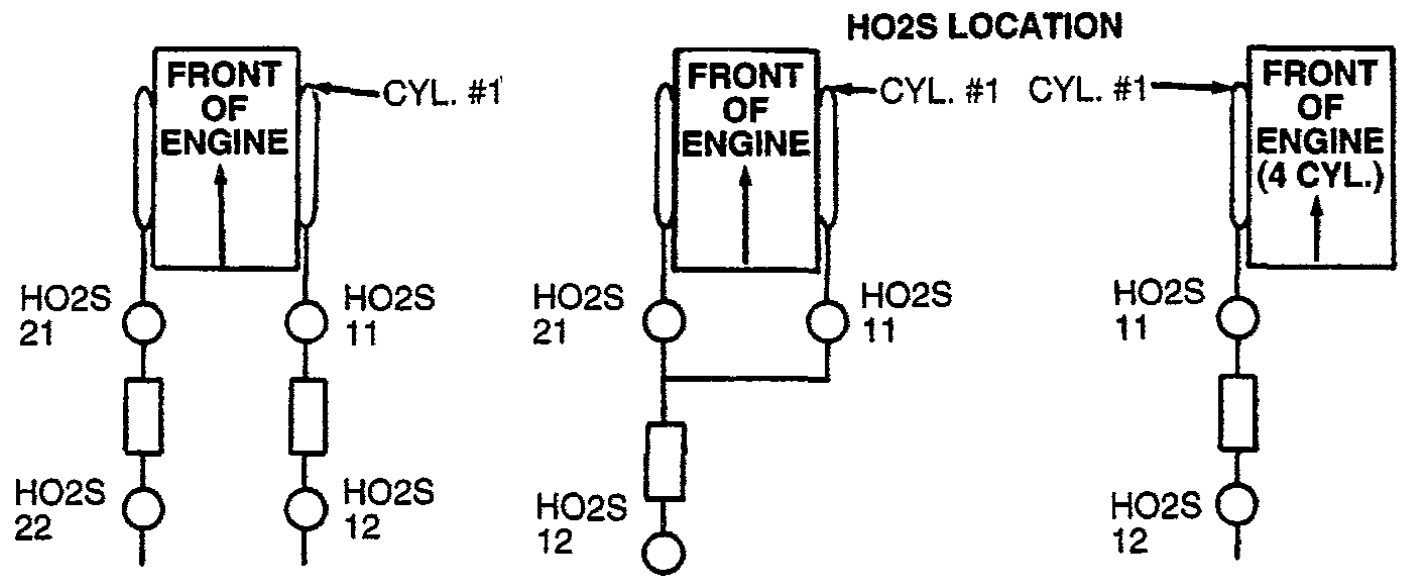
### Parts

Qualifier	Part #	Name	Price	Note
Oxygen Sensor > Front	56041212	Oxygen Sensor	200.00	Order By Description.
Oxygen Sensor > Rear	56041213AB	Oxygen Sensor	151.00	Order By Description.

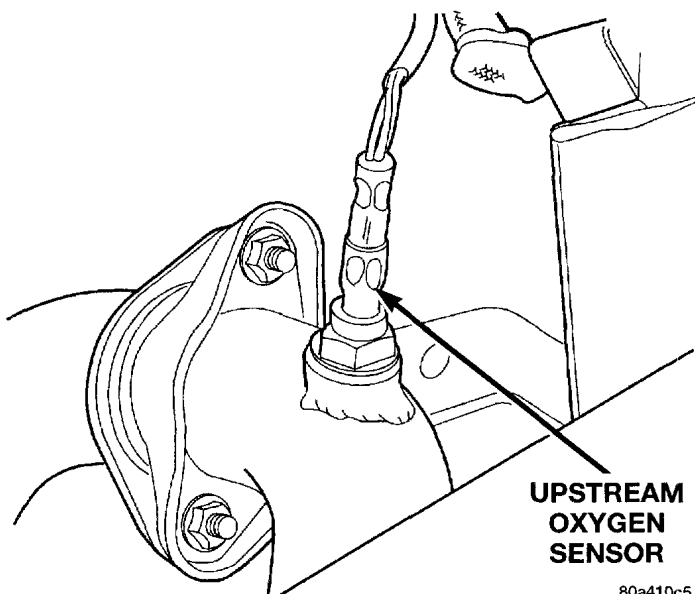
### Labor

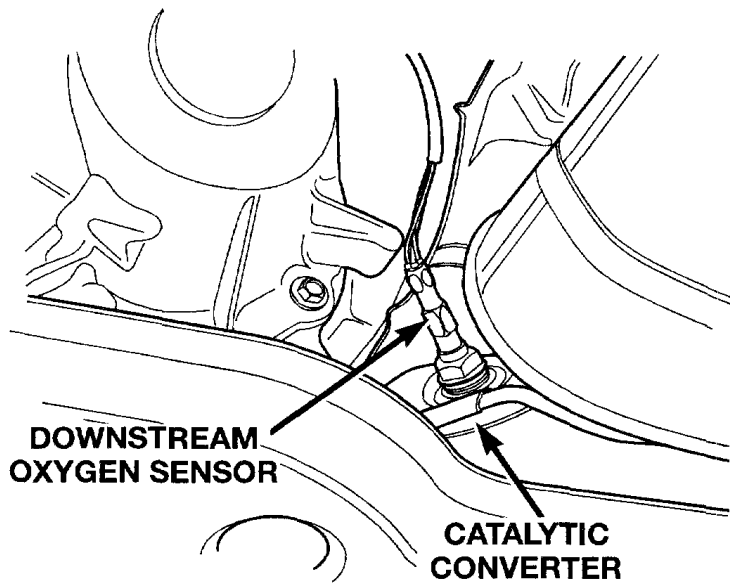
Operation	Qualifier Path	Skill	Std Hrs	Wty Hrs
Replace	Downstream	B	0.4	0.3
Replace	Upstream	B	0.4	0.3

## OBD-II Heated Oxygen Sensor Numbering Convention (Article 2089262)



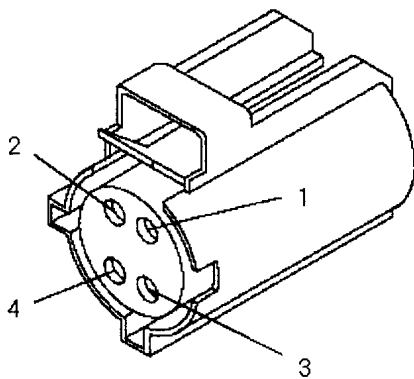
## Components (itype\_392)





80a410c4

**Oxygen Sensor (Sensor Side) (Article 2083551)**

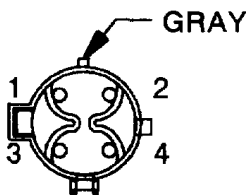


OXYGEN SENSOR CONNECTOR (COMPONENT SIDE)

**OXYGEN SENSOR (SENSOR SIDE)**

CAV	CIRCUIT	FUNCTION
1	-	GROUND
2	-	AUTOMATIC SHUT DOWN RELAY OUTPUT
3	-	OXYGEN SENSOR GROUND
4	-	OXYGEN SENSOR SIGNAL

**Oxygen Sensor 1/1 Upstream - Gray 4 Way (Article 2083552)**

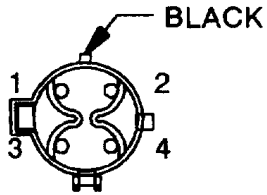


OXYGEN SENSOR 1/1 UPSTREAM

**OXYGEN SENSOR 1/1 UPSTREAM - GRAY 4 WAY**

CAV	CIRCUIT	FUNCTION
1	F142 180R/DG	FUSED AUTOMATIC SHUT DOWN RELAY OUTPUT
2	Z1 18BK	GROUND
3	K167 20BR/YL	SENSOR GROUND
4	K41 18BK/DG	OXYGEN SENSOR 1/1 SIGNAL

## Oxygen Sensor 1/2 Downstream - Black 4 Way (Article 2083553)

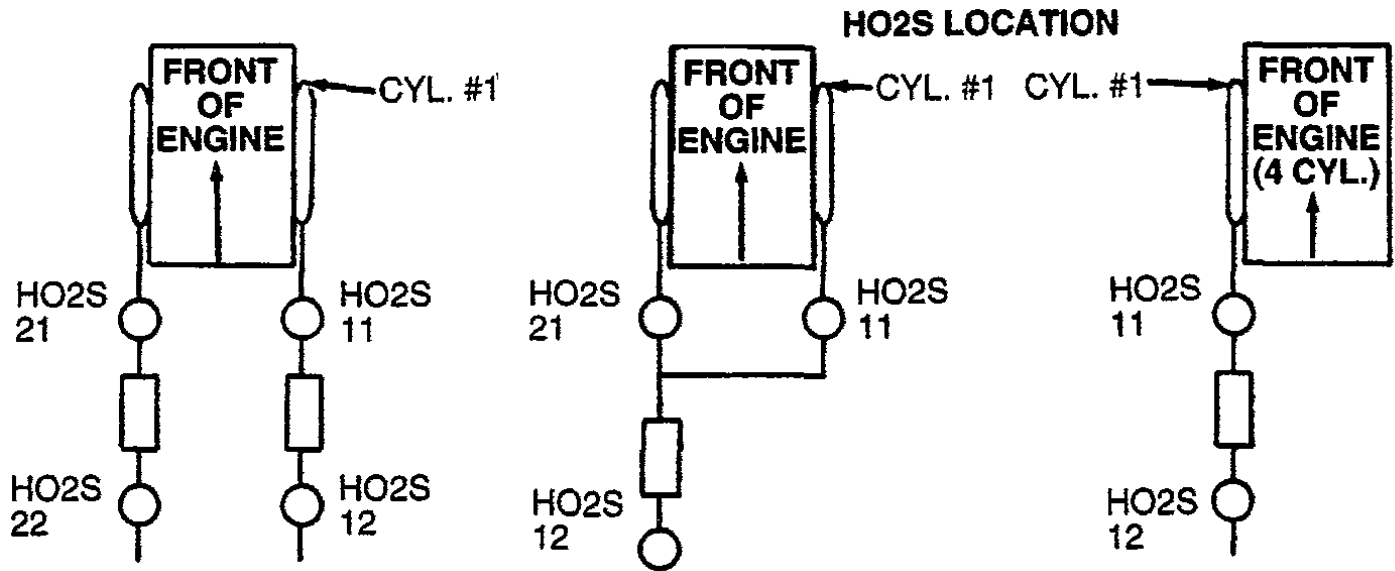


OXYGEN SENSOR  
1/2 DOWNSTREAM

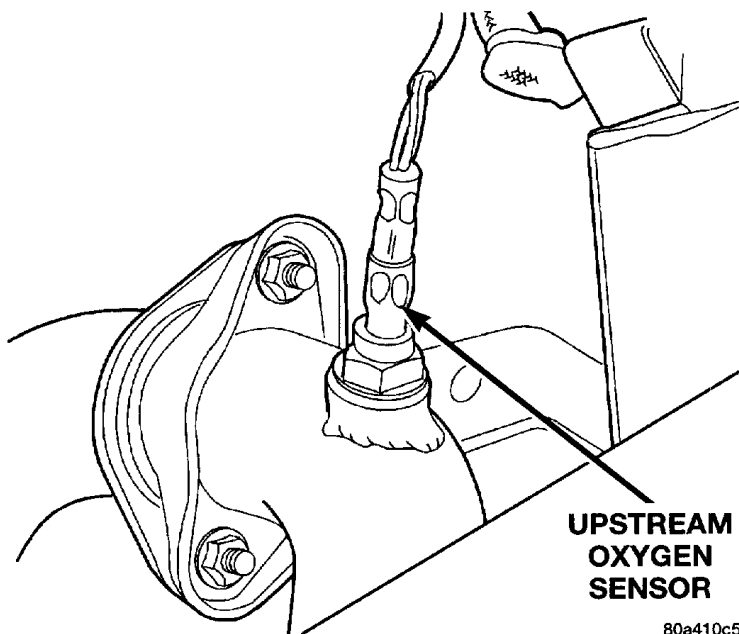
OXYGEN SENSOR 1/2 DOWNSTREAM - BLACK 4 WAY

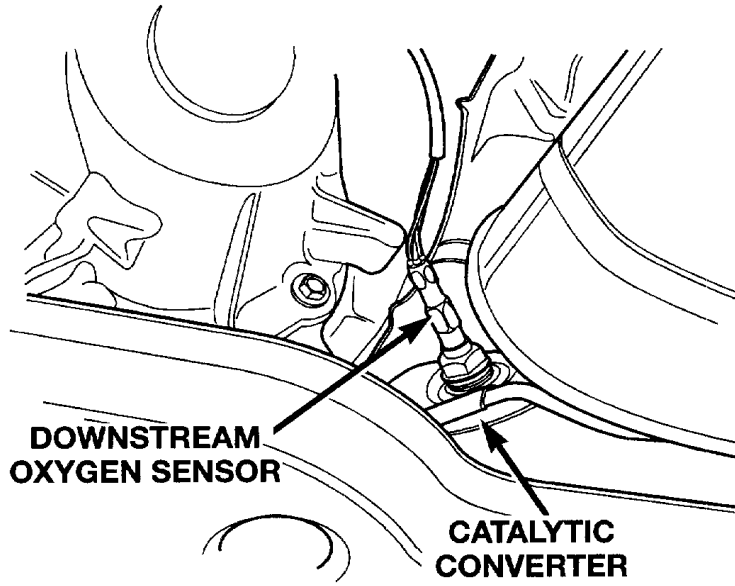
CAV	CIRCUIT	FUNCTION
1	F142 180R/DG	FUSED AUTOMATIC SHUT DOWN RELAY OUTPUT
2	Z1 18BK	GROUND
3	K167 20BR/YL	SENSOR GROUND
4	K141 18TN/WT	OXYGEN SENSOR 1/2 SIGNAL

## Oxygen Sensor Bank Locations (Article 2083719)



## Oxygen Sensor Location (Article 2083722)





80a410c4

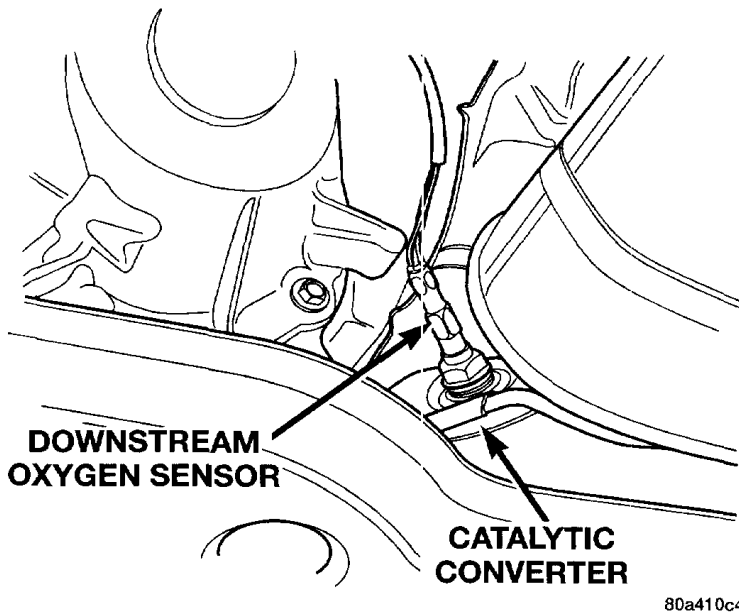
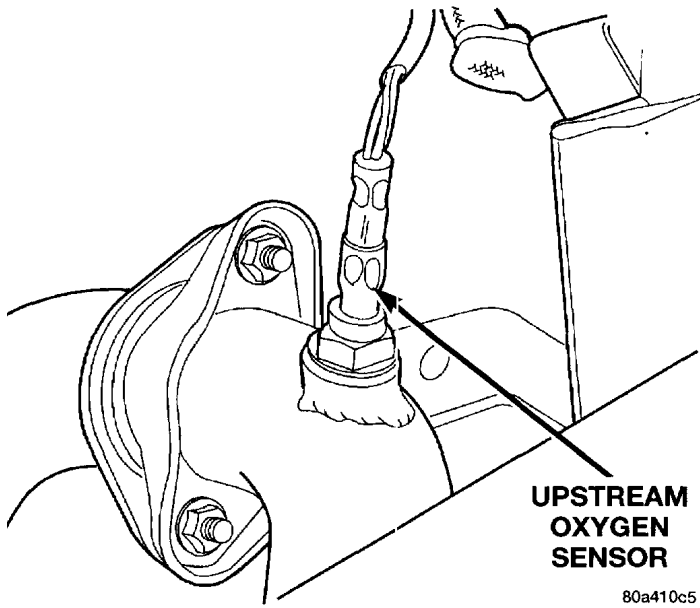
### Oxygen Sensor Location Key (Article 2083717)

DTC TEST		CHECKING THE SYSTEM FOR DIAGNOSTIC TROUBLE CODES (DTCs)																			
JTEC O2 SENSOR CONFIGURATION																					
CO2 SENSOR CONFIGURATIONS FOR ALL JTEC CONTROLLERS	AB 3.9L 5.2L	AB 5.0L CNG	AB 5.0L L/D	AN 2.5L 3.9L 5.2L	AN 5.2L CNG	BR 3.9L 5.2L	BR 5.2L 5.2L	BR 5.2L L/D	BR 5.2L H/D	BR 5.9L 8.0L H/D	SR 8.0L V/D	TJ 2.5L	TJ 4.0L	XJ 2.5L 4.0L	ZJ 4.0L 5.2L						
UPSTREAM O2 SENSOR	1/1	1/1	1/1	1/1	1/1	1/1	1/1	1/1	1/1	1/1	1/1	1/1	1/1	1/1	1/1	1/1					
LEFT BANK UP O2 SENSOR										1/1	1/1	1/1	1/1								
DOWNSTREAM O2 SENSOR	1/2	1/2	1/2	1/2	1/2	1/2	1/2	1/2	1/2			1/2	1/2	1/2	1/2						
LEFT BANK DOWN O2 SENSOR												1/2									
PRE-CATALYST O2 SENSOR												1/2									
POST CATALYST O2 SENSOR												1/2									
RIGHT BANK UP O2 SENSOR										2/1	2/1	2/1	2/1								
RIGHT BANK DOWN O2 SENSOR												2/2									

AB - FULL SIZE VANS 95-99  
 AN - DAKOTA 97-99  
 BR - FULL SIZE TRUCKS 96-99  
 SR - VIPER 97-99  
 TJ - WRANGLER 97-99  
 XJ - CHEROKEE 91-99  
 ZJ - GRAND CHEROKEE 93-99

80a55733

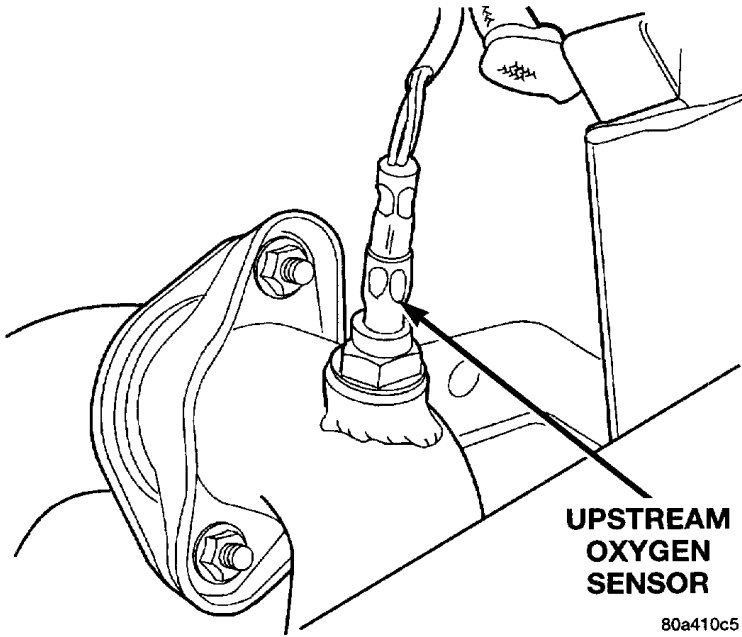
### Procedures (itype\_376)



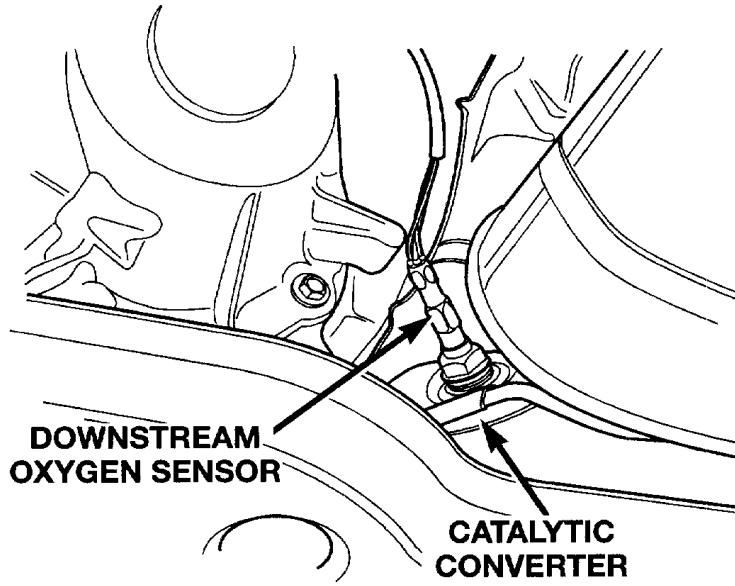
**Mechanical (including Torque) (itype\_28)**

O2S Sensor 30 Nm

**Component Testing (Article 2051176)**



80a410c5



80a410c4