

Component Procedures: Wheel Hub

Table of Contents

1. Parts and Labor (itype_189)
2. Front (Article 2085524)
3. Mechanical (including Torque) (itype_28)
4. All Technical Service Bulletins (itype_100)
5. Repair Tips (itype_110)

Component Procedures: Wheel Hub

Parts and Labor (itype_189)

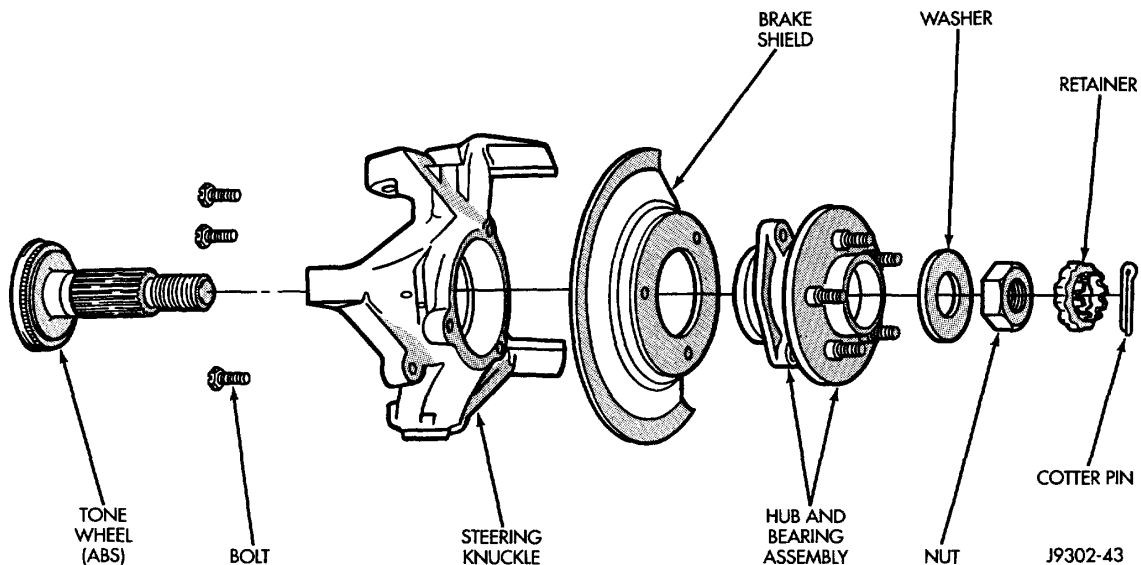
Parts

Qualifier	Part #	Name	Price	Note
Front Suspension > Coil Sprin?	53007449AB	1 - Front Hub & Bearing	0.00	

Labor

Operation	Qualifier Path	Skill	Std Hrs	Wty Hrs
Replace	Front Suspension > Hub & Bearing > One Side	B	0.9	0.6

Front (Article 2085524)



Mechanical (including Torque) (itype_28)

Attaching Bolts 102 Nm (75 ft. lbs.)

All Technical Service Bulletins (itype_100)

Tsbs

- Steering/Suspension - Wheel Hub/Bearing Inspection COLL. (31-001-12, 2012/01/11)

Repair Tips (itype_110)

Tsbs

- Steering/Suspension - Wheel Hub/Bearing Inspection COLL. (31-001-12, 2012/01/11)