

Component Procedures: Lateral Stabilizer Rod

Table of Contents

1. Parts and Labor (itype_189)
2. Front Track Bar Replacement (Article 2082067)
3. Rear Track Bar Replacement (Article 2082069)
4. Mechanical (including Torque) (itype_28)

Component Procedures: Lateral Stabilizer Rod

Parts and Labor (itype_189)

Parts

Qualifier	Part #	Name	Price	Note
Front Suspension > Coil Sprin?	52088432	9 - Track Bar	0.00	
Front Suspension > Coil Sprin?	52088444AC	10 - Track Bar Bracket	205.00	
Rear Suspension > Coil Sprin?	52087878	4 - Track Bar	0.00	

Labor

Operation	Qualifier Path	Skill	Std Hrs	Wty Hrs
Replace	Front Suspension > Track Bar	B	0.5	0.3
Replace	Rear Suspension > Coil Spring Type > Track Bar	B	0.6	0.5

Front Track Bar Replacement (Article 2082067)

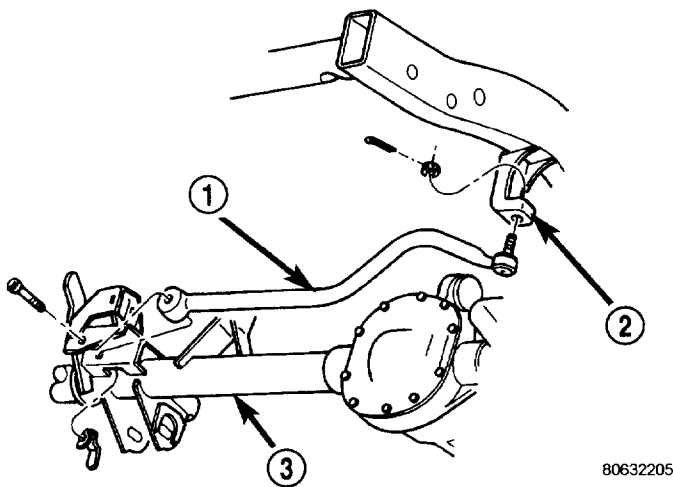
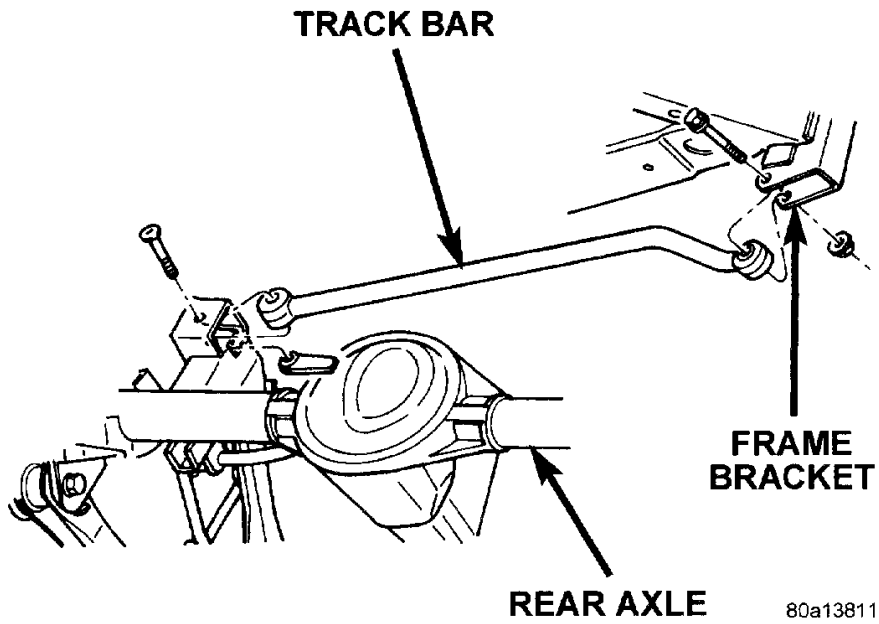


Fig. 7 Track Bar

- 1 - TRACK BAR
- 2 - FRAME BRACKET
- 3 - FRONT AXLE

Rear Track Bar Replacement (Article 2082069)



80a13811

Mechanical (including Torque) (itype_28)

FRONT:

Ball Stud

Nut 88 Nm (65 ft. lbs.)

Axle Bracket Bolt 75 Nm (55 ft. lbs.)

REAR:

Frame Bracket Nut 100 Nm (74 ft. lbs.)

Axle Bracket Bolt 100 Nm (74 ft. lbs.)