

# Component Procedures: Brake Caliper

## Table of Contents

1. Parts and Labor (itype\_189)
2. Removal and Installation (Article 2025775)
3. Disassembly and Assembly (Article 2025776)
4. Cleaning and Inspection (Article 2025789)
5. Torque Specs (Article 2025213)

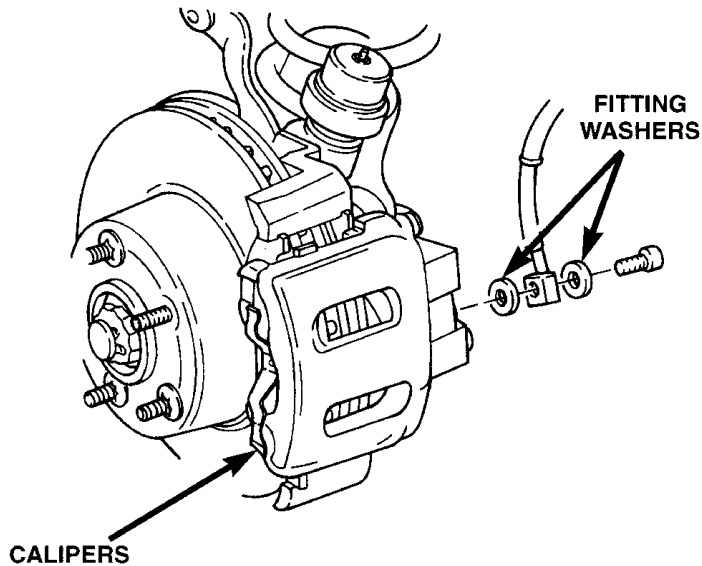
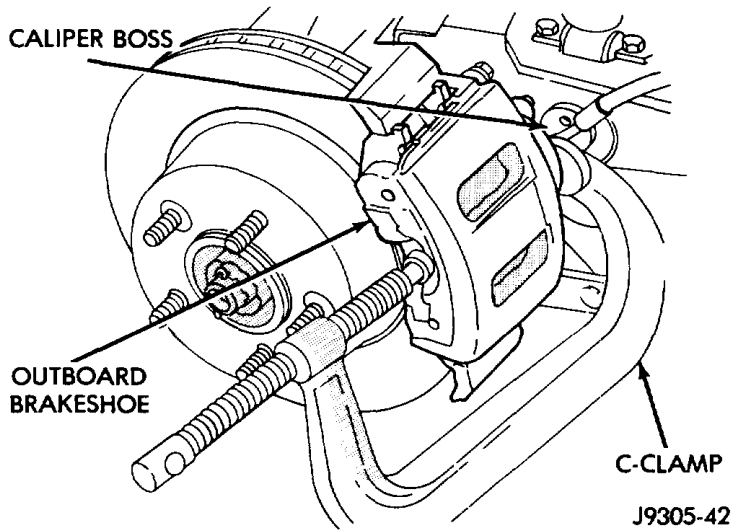
# Component Procedures: Brake Caliper

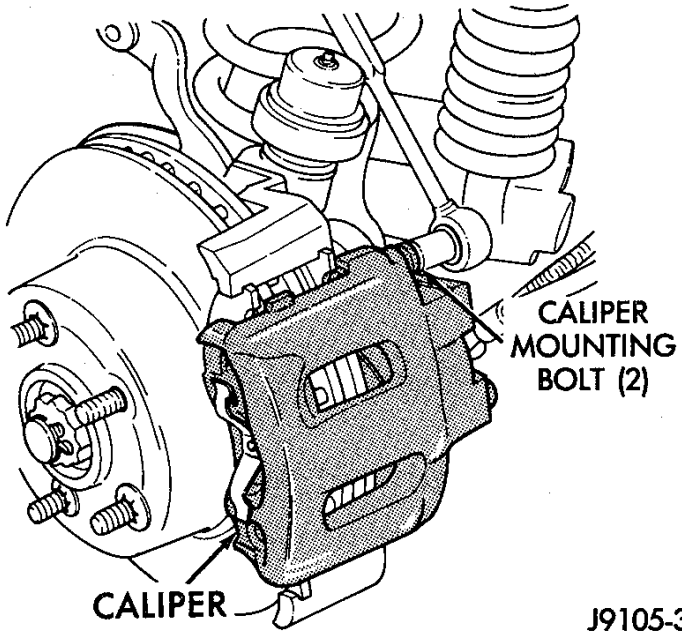
## Parts and Labor (itype\_189)

### Parts

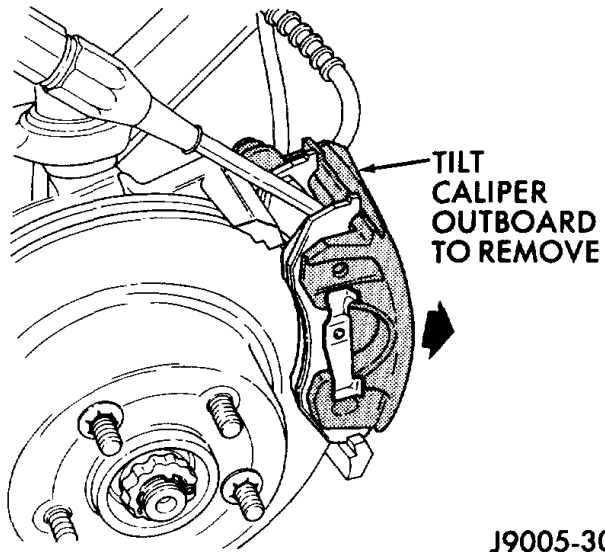
Qualifier	Part #	Name	Price	Note
Hydraulic System > Front Bra?	5252984	Caliper Assembly	0.00	
Hydraulic System > Front Bra?	5252985	Caliper Assembly	0.00	
Caliper Overhaul Kit > Hydra?	5252614	Caliper Repair Kit	0.00	
Caliper Seal Kit > Hydraulic?	J8133852	Caliper Overhaul Kit	0.00	

### Removal and Installation (Article 2025775)

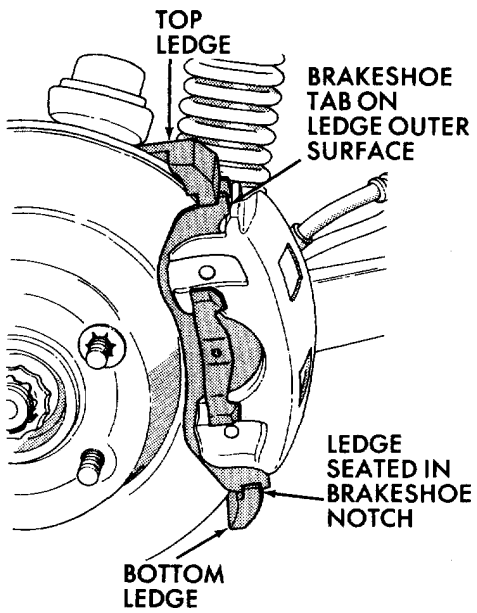
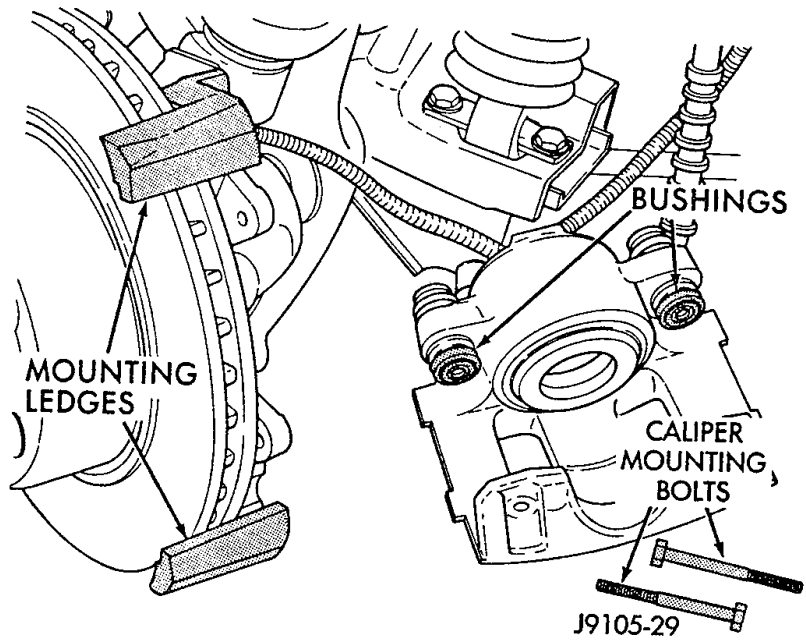




J9105-31

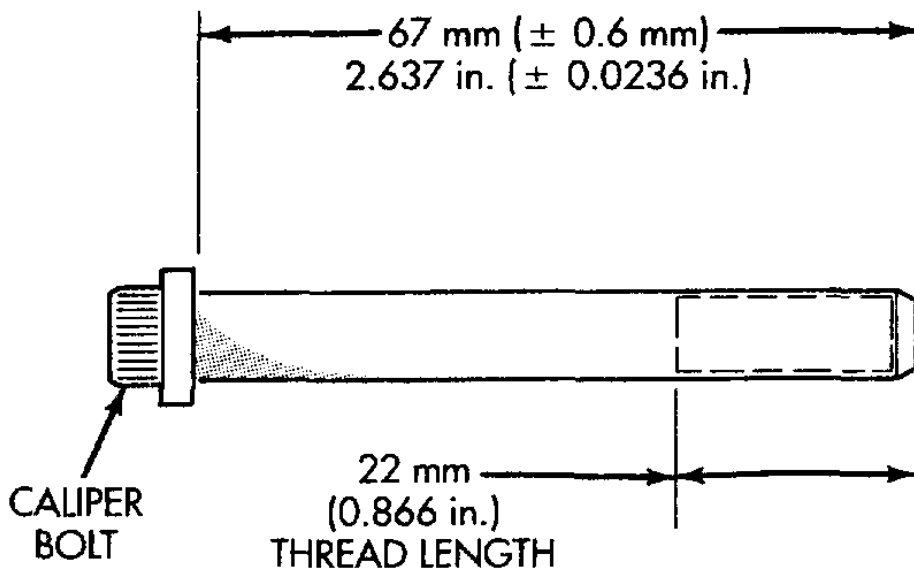


J9005-30

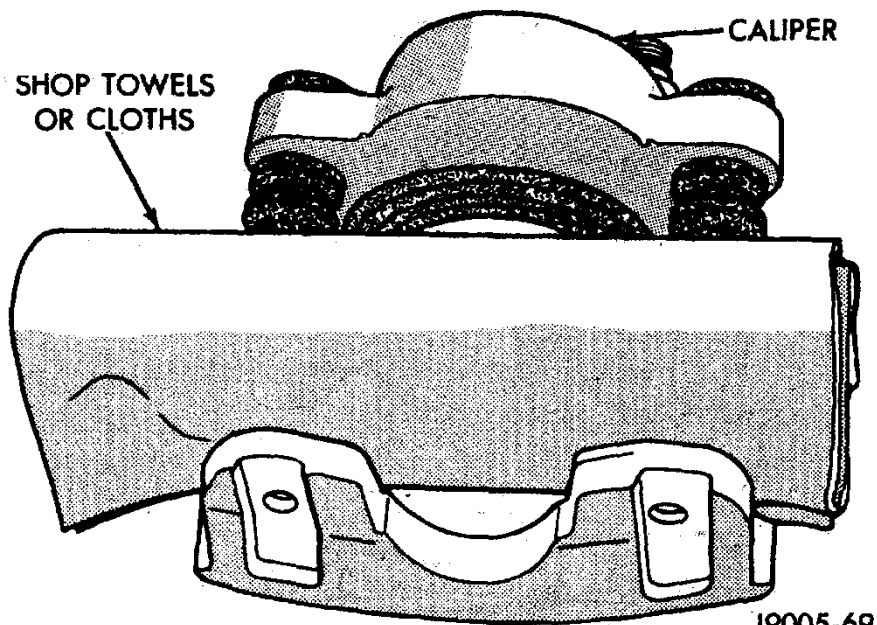


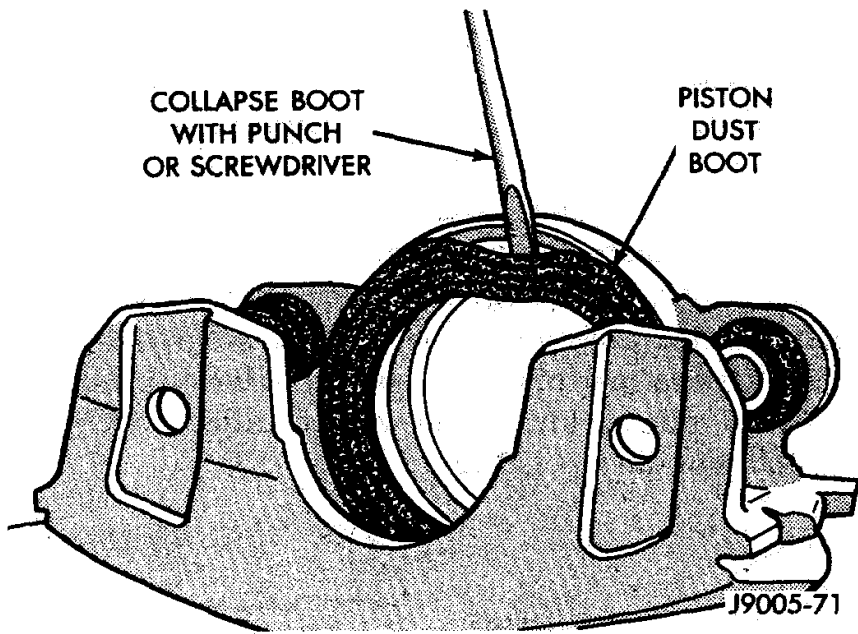
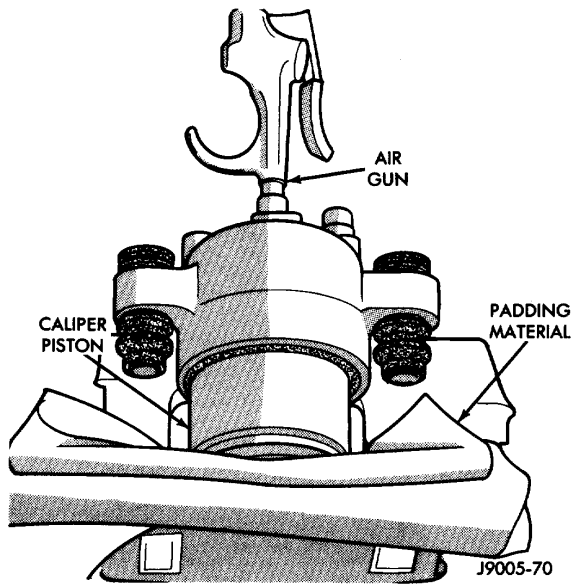
J9005-35

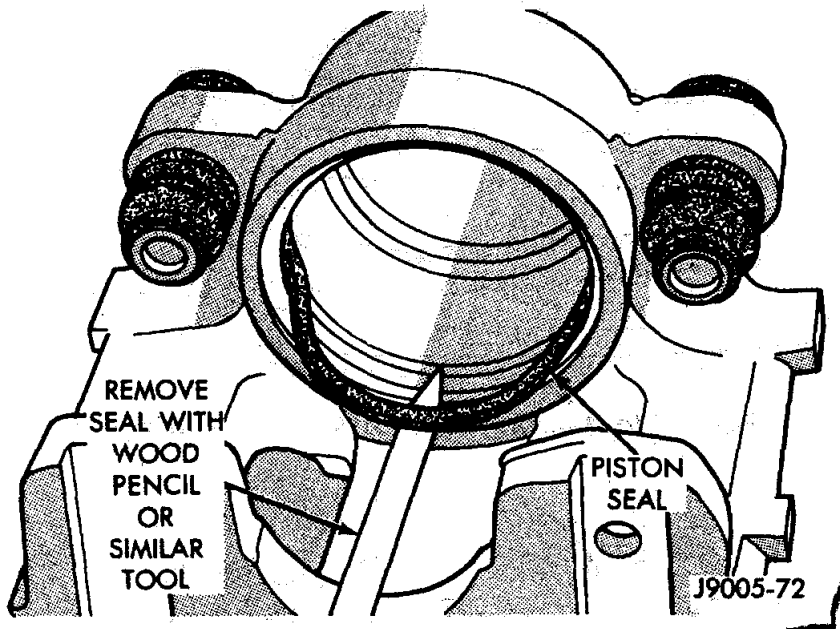
CORRECT SHANK LENGTH:



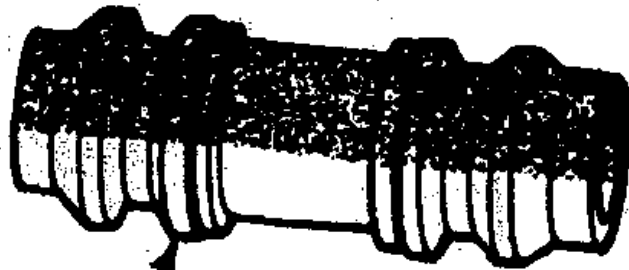
Disassembly and Assembly (Article 2025776)





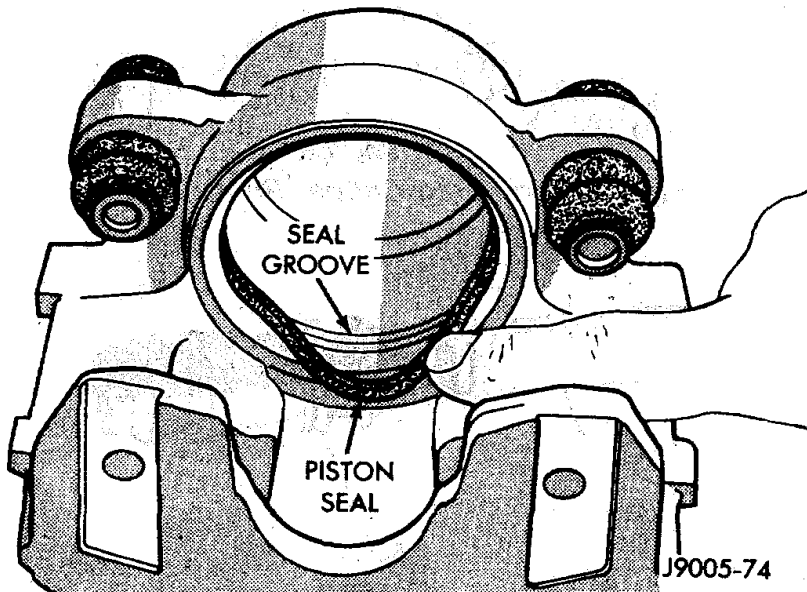
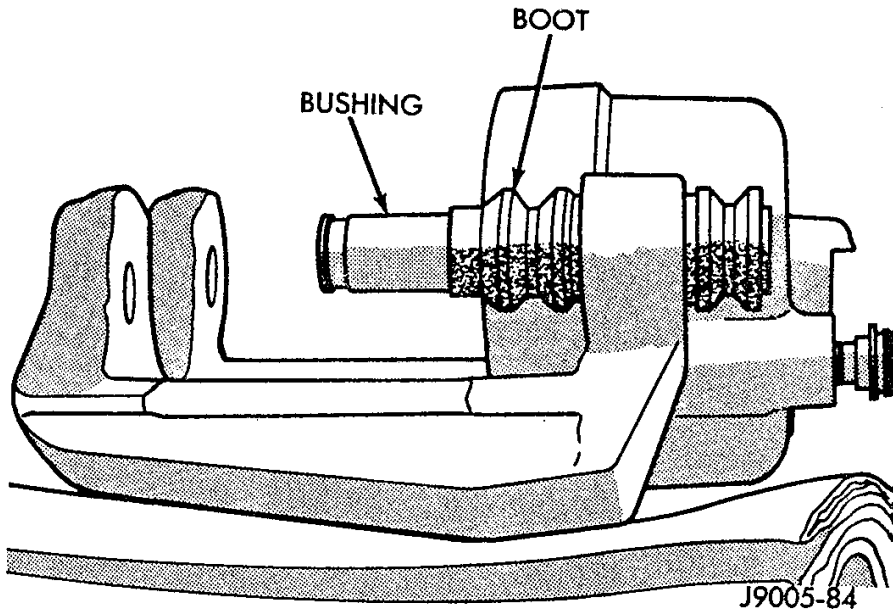


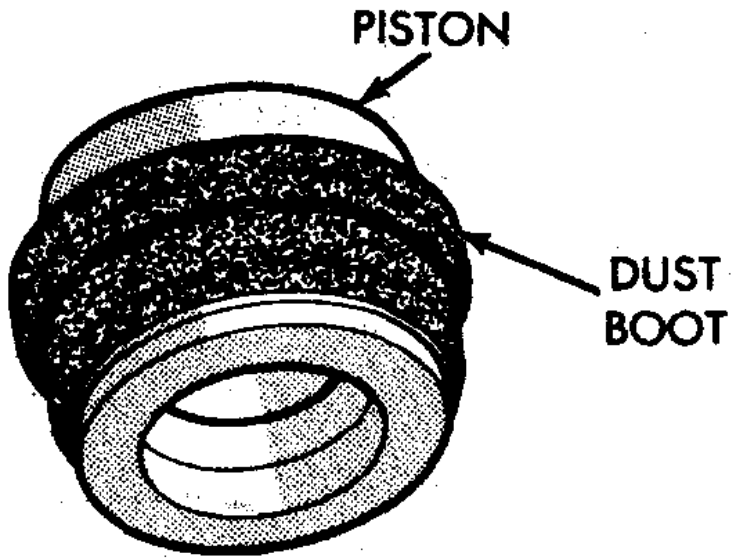
**CALIPER  
SLIDE  
BUSHING**



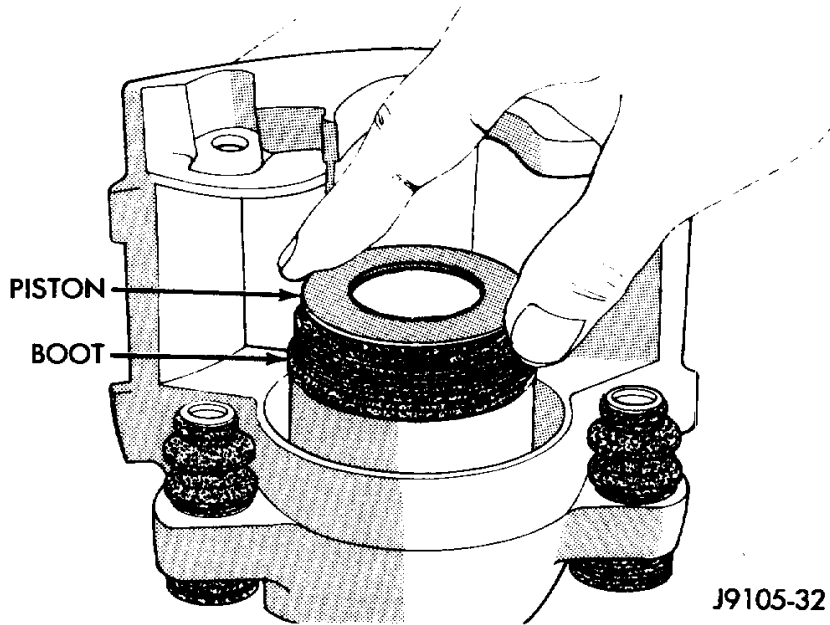
**BOOT**

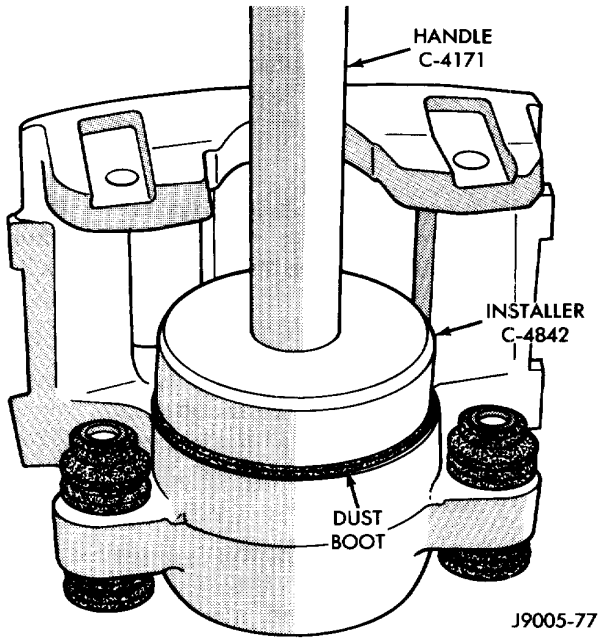
**J9005-73**



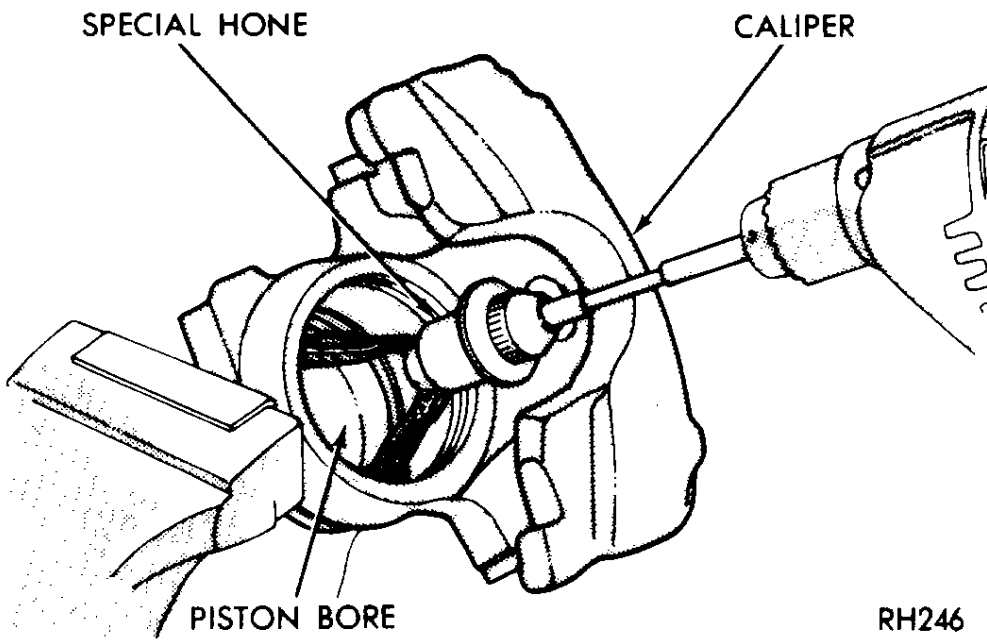


J9005-75





**Cleaning and Inspection (Article 2025789)**



**Torque Specs (Article 2025213)**

Mounting Bolts 11 ft.lb