

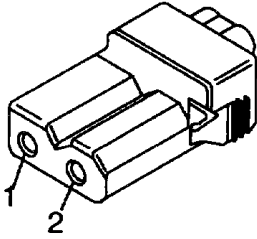
Component Procedures: Brake Fluid Pump

Table of Contents

1. Connector Views (itype_47)
2. Components (itype_32)

Component Procedures: Brake Fluid Pump

Connector Views (itype_47)

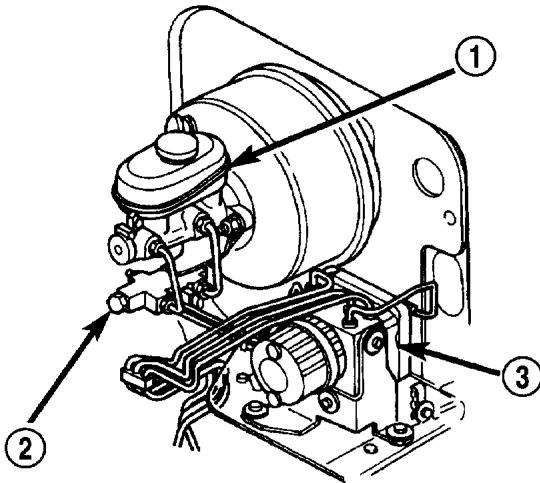


PUMP MOTOR
CONNECTOR

PUMP MOTOR CONNECTOR - 2 WAY

CAV	CIRCUIT	FUNCTION
1	TN	GROUND
2	RD	PUMP/MOTOR RELAY OUTPUT

Components (itype_32)



80a18d4c

Fig. 6 HCU Brake Lines

- 1 - MASTER CYLINDER
- 2 - COMBINATION VALVE
- 3 - HCU