

Component Procedures: Pitman Arm

Table of Contents

1. Parts and Labor (itype_189)
2. Procedures (itype_376)
3. Mechanical (including Torque) (itype_28)

Component Procedures: Pitman Arm

Parts and Labor (itype_189)

Parts

Qualifier	Part #	Name	Price	Note
Power > Pitman Arm	52038337	6 - Pitman Arm	117.00	

Labor

Operation	Qualifier Path	Skill	Std Hrs	Wty Hrs
Replace	Pitman Arm, R&R	B	0.4	0.3

Procedures (itype_376)

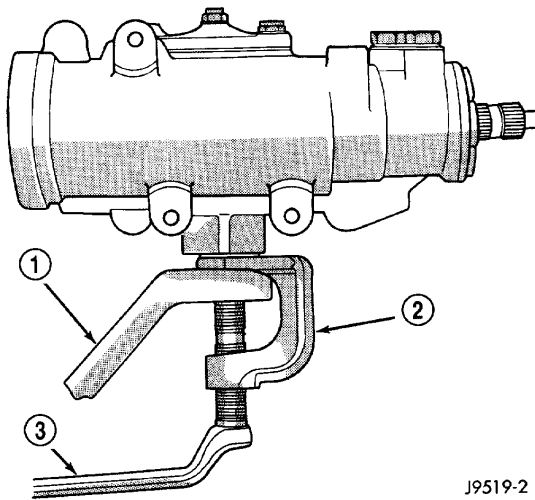


Fig. 3 Pitman Arm

- 1 - PITMAN ARM
- 2 - SPECIAL TOOL C-4150-A
- 3 - WRENCH

Mechanical (including Torque) (itype_28)

Shaft Nut 251 Nm (185 ft. lbs.)