

Component Procedures: Expansion Block/Orifice Tube

Table of Contents

1. Parts and Labor (itype_189)
2. Components (itype_392)
3. Components (itype_32)
4. Procedures (itype_376)

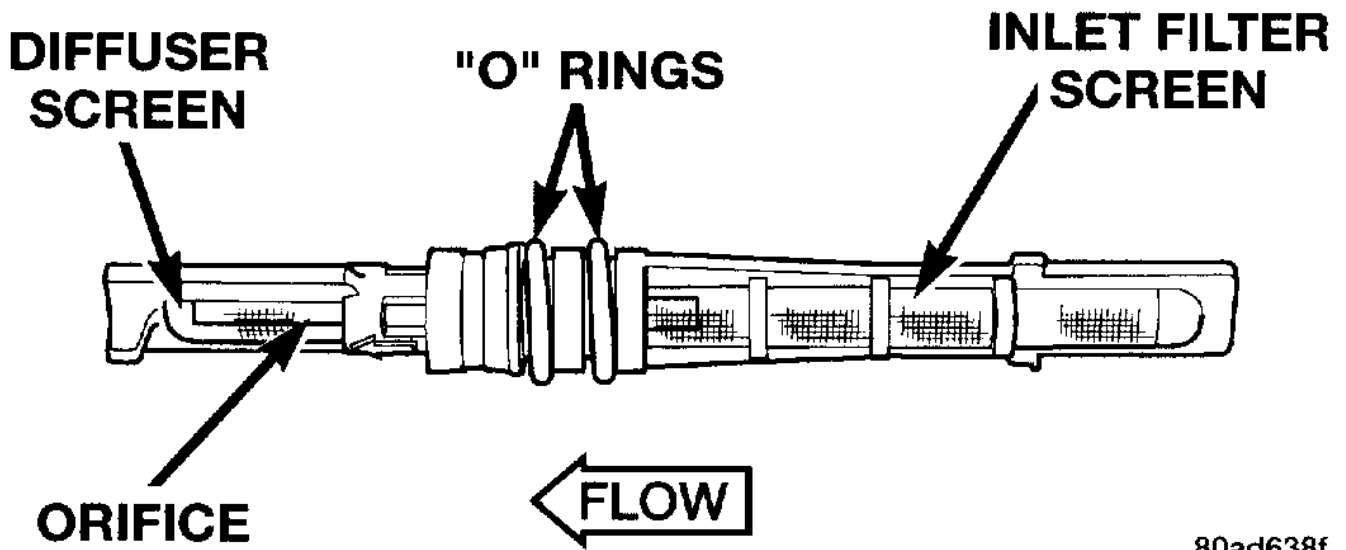
Component Procedures: Expansion Block/Orifice Tube

Parts and Labor (itype_189)

Labor

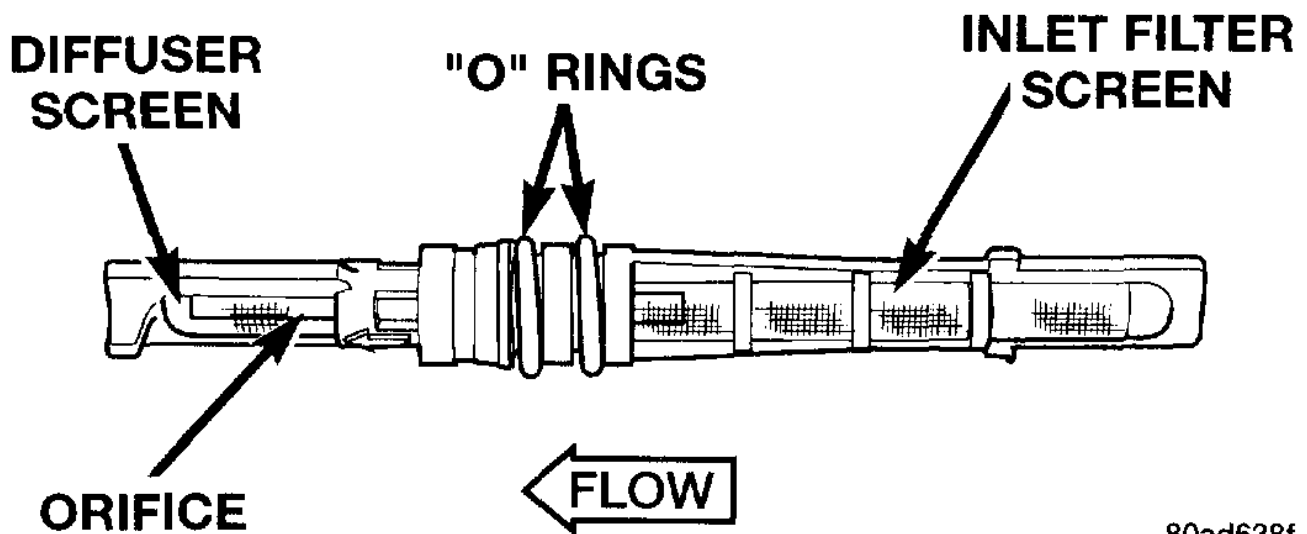
Operation	Qualifier Path	Skill	Std Hrs	Wty Hrs
Replace	Orifice, R&R	B	0.4	0.2

Components (itype_392)



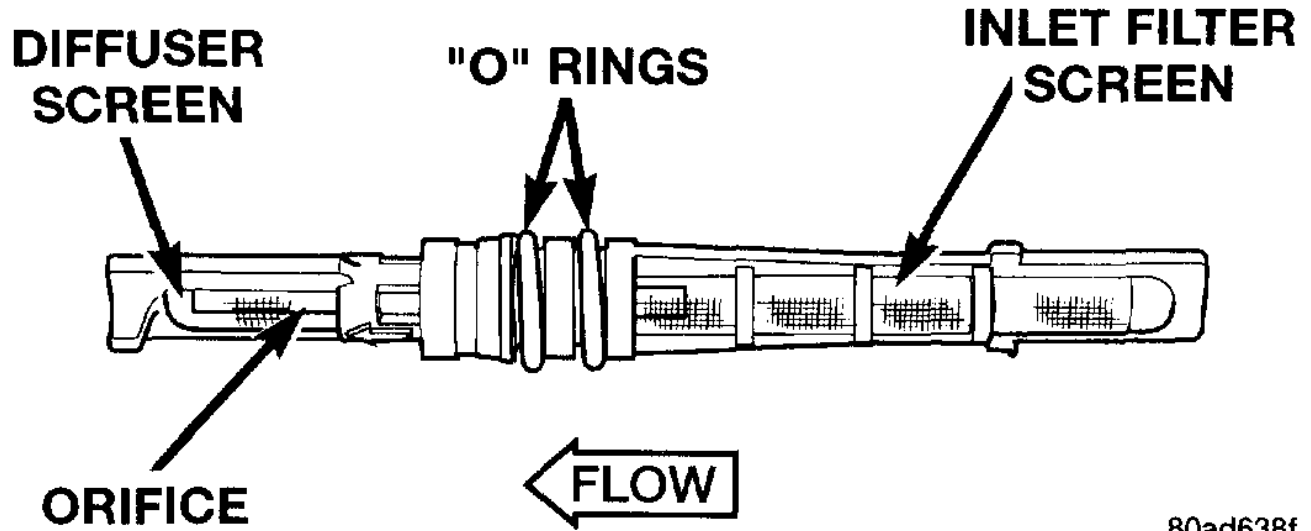
80ad638f

Components (itype_32)



80ad638f

Procedures (itype_376)



80ad638f