

Component Procedures: Air Door

Table of Contents

1. A/C Application (Article 2036032)
2. Components (itype_32)
3. Blend-Air Door Replacement (Article 2036057)
4. Defrost Door and Lever Replacement (Article 2036058)
5. Floor Door and Lever Replacement (Article 2036059)
6. Panel/Demist Door and Lever Replacement (Article 2036060)
7. Recirculation Air Door Replacement (Article 2036061)
8. Mechanical (including Torque) (itype_28)
9. All Technical Service Bulletins (itype_100)
10. Customer Interest Bulletins (itype_109)
11. Erratic Operation (itype_132)
12. New / Updated Parts (itype_117)

Component Procedures: Air Door

A/C Application (Article 2036032)

Mode Door

= vacuum

Blend Air Door

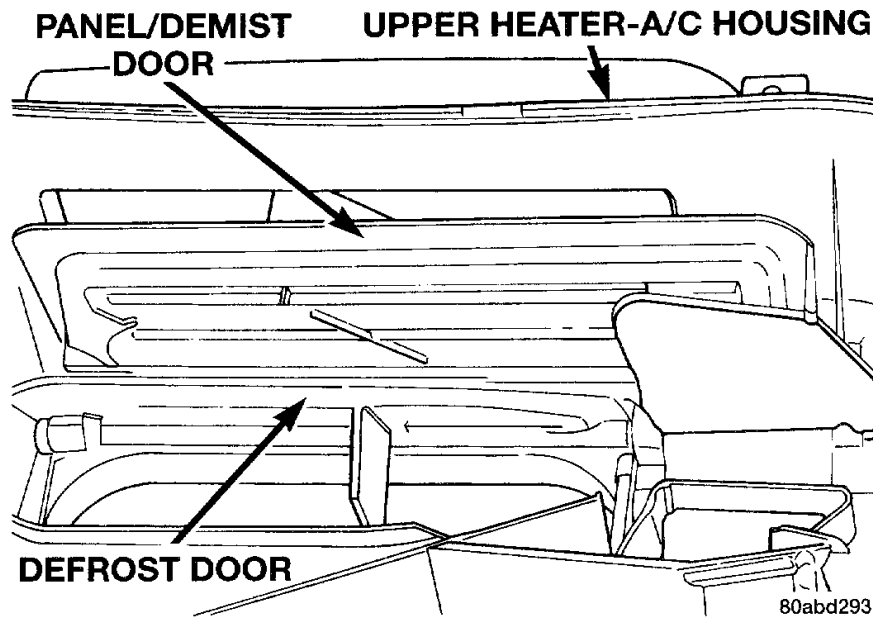
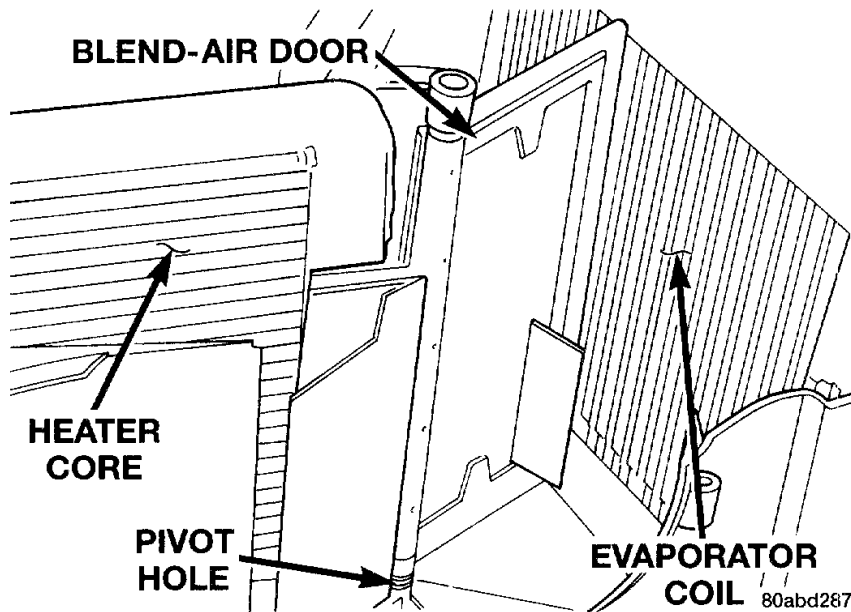
=

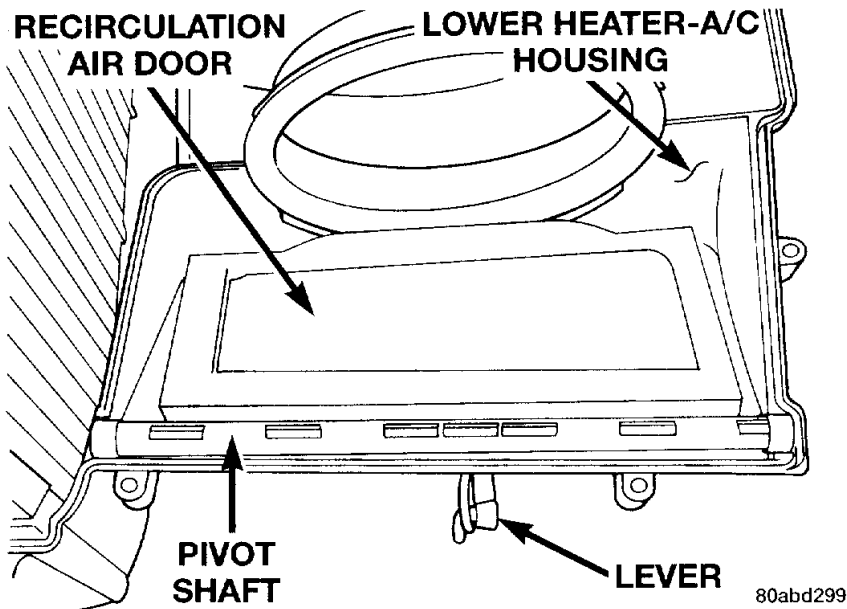
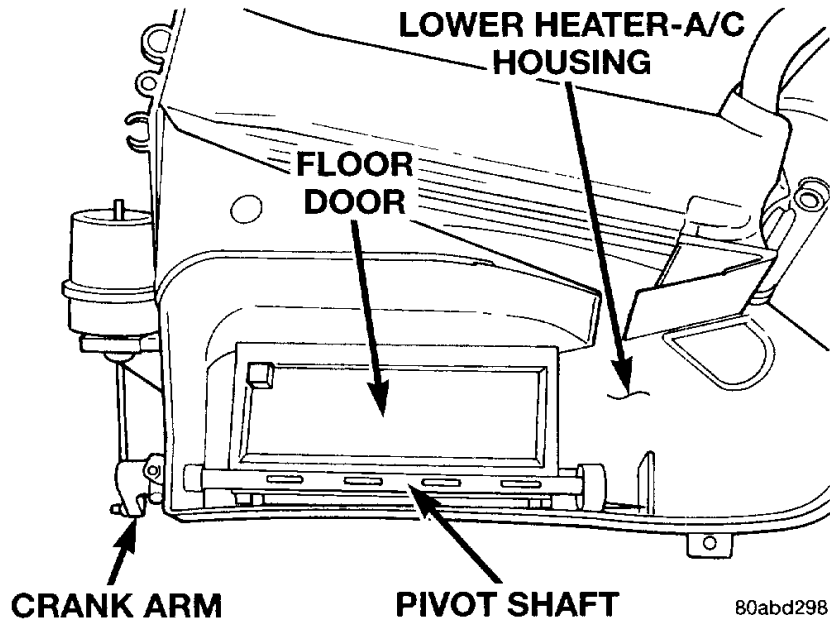
electric actuator

Fresh/Recirc door =

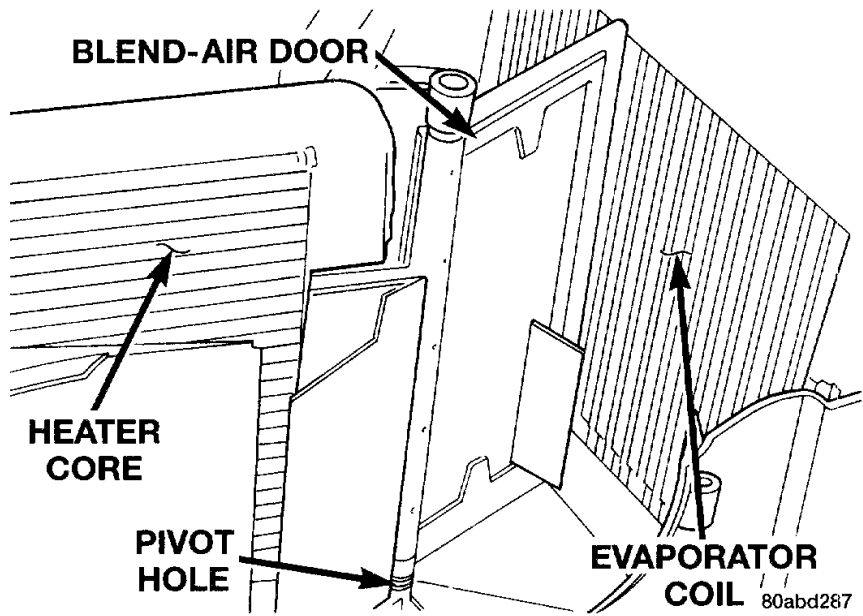
vacuum

Components (itype_32)

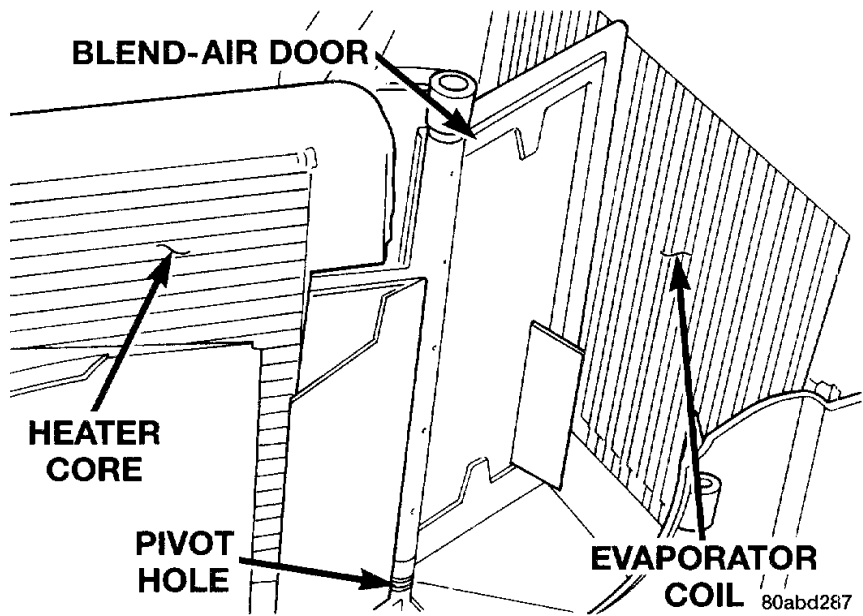


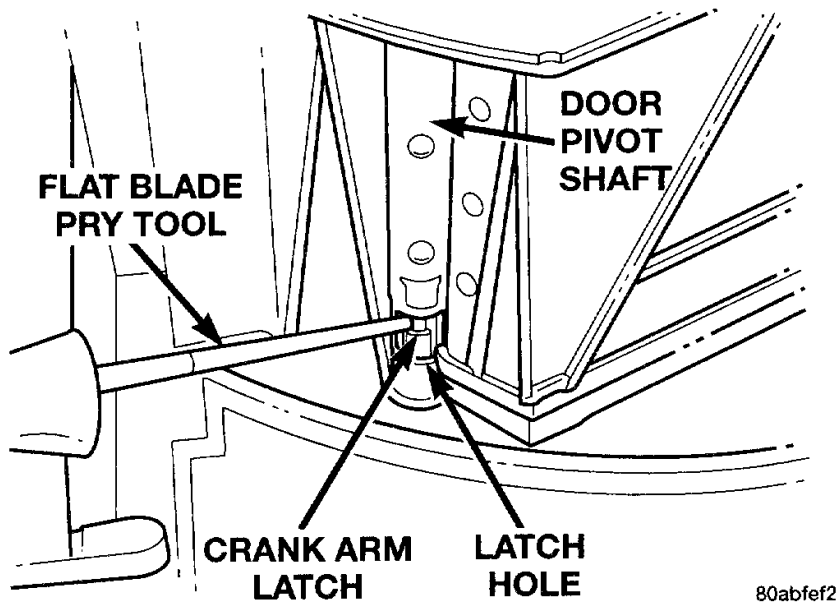


Blend-Air Door Replacement (Article 2036057)

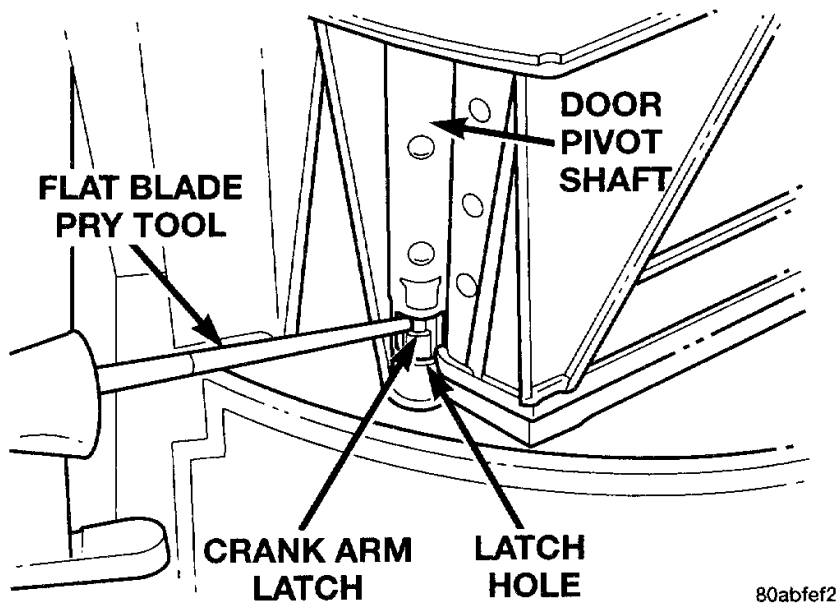


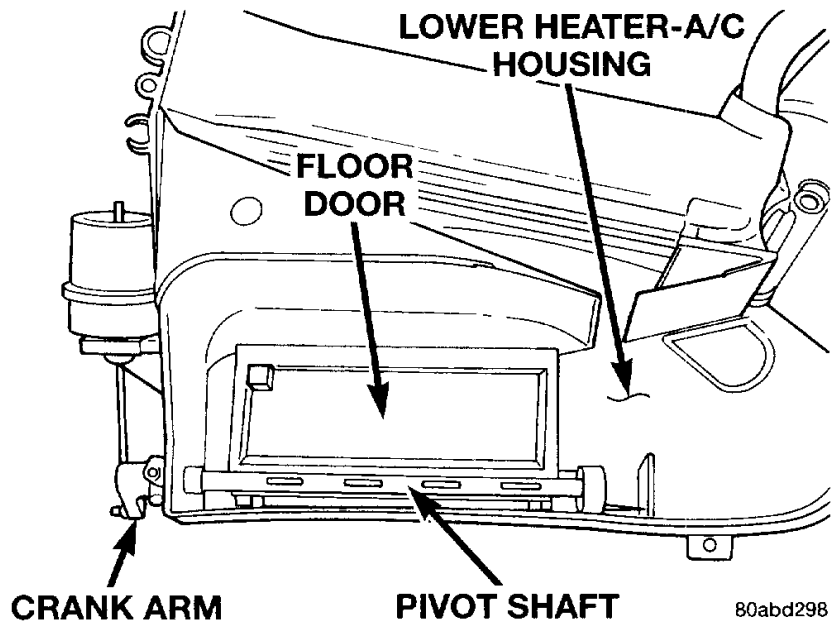
Defrost Door and Lever Replacement (Article 2036058)



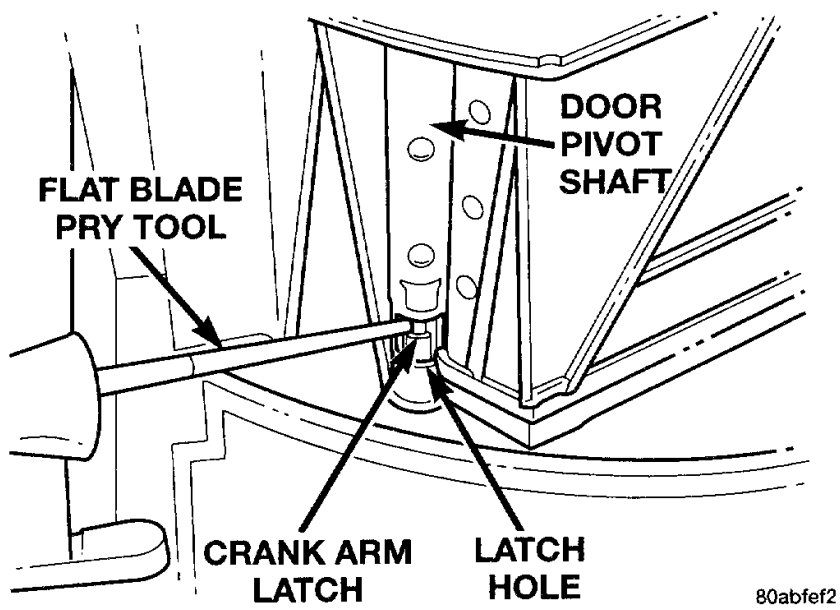


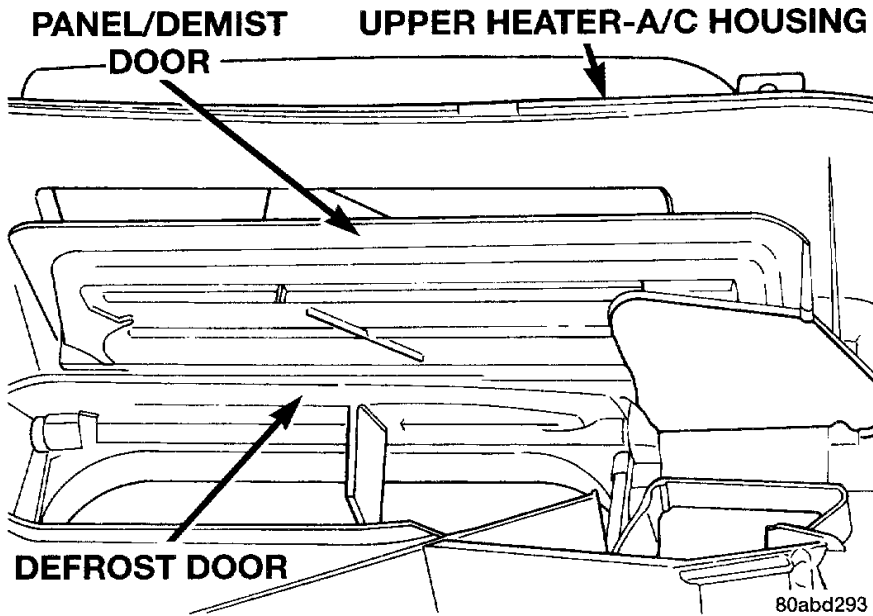
Floor Door and Lever Replacement (Article 2036059)



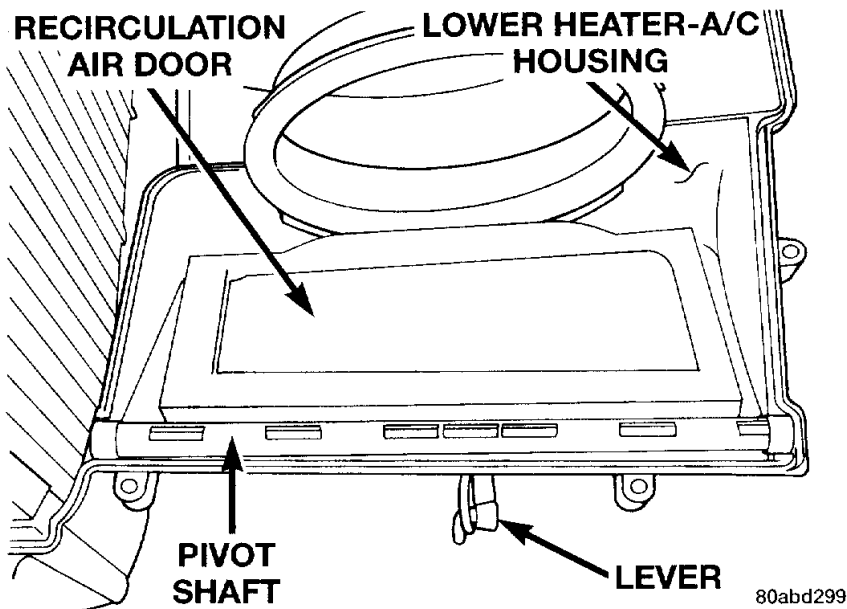


Panel/Demist Door and Lever Replacement (Article 2036060)





Recirculation Air Door Replacement (Article 2036061)



Mechanical (including Torque) (itype_28)

Tighten the screws that secures the blend-air door motor to the mounting bracket screws to 1 Nm (10 in. lbs.)

All Technical Service Bulletins (itype_100)

Tsbs
 - Heater and A/C - Will Not Switch To Panel Mode (24-12-99, 1999/07/02)

Customer Interest Bulletins (itype_109)

Tsbs
 - Heater and A/C - Will Not Switch To Panel Mode (24-12-99, 1999/07/02)

Erratic Operation (itype_132)

Tsbs

- Heater and A/C - Will Not Switch To Panel Mode (24-12-99, 1999/07/02)

New / Updated Parts (itype_117)

Tsbs

- Heater and A/C - Will Not Switch To Panel Mode (24-12-99, 1999/07/02)