

Component Procedures: Throttle Body

Table of Contents

1. Parts and Labor (itype_189)
2. Components (itype_32)
3. Procedures (itype_376)
4. Mechanical (including Torque) (itype_28)
5. Throttle Body Minimum Air Flow Check Procedure (Article 2030901)

Component Procedures: Throttle Body

Parts and Labor (itype_189)

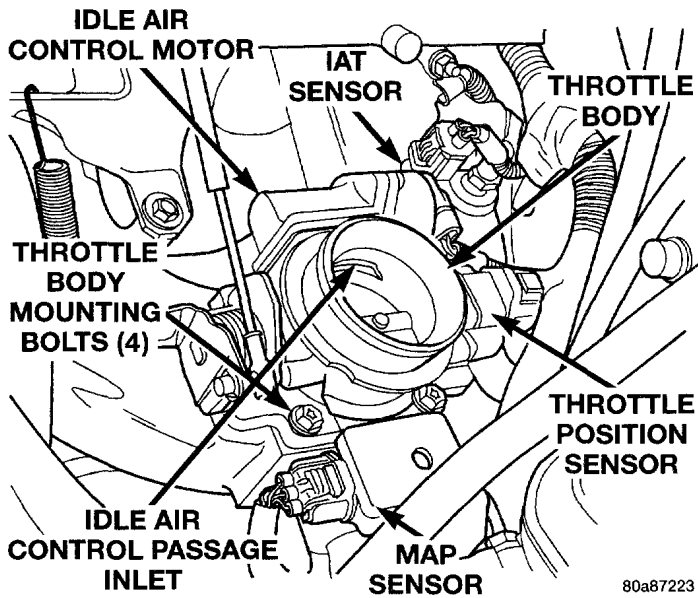
Parts

Qualifier	Part #	Name	Price	Note
Throttle Body	53032016AC	Throttle Body	0.00	Order By Description.

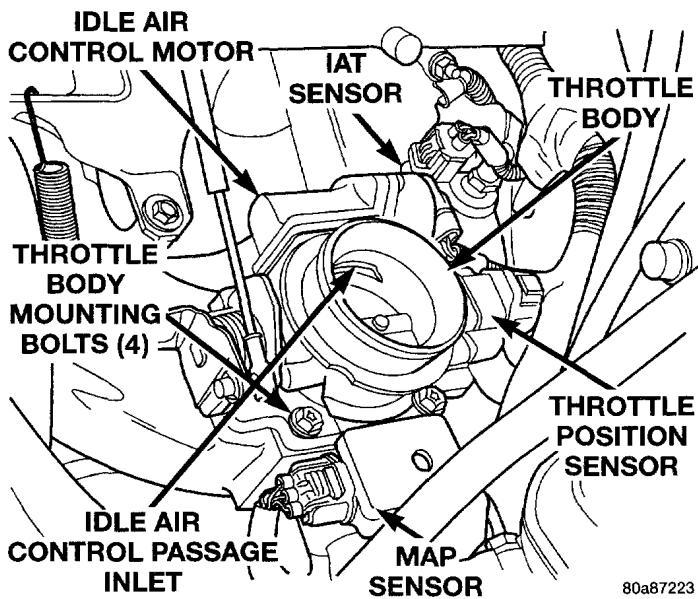
Labor

Operation	Qualifier Path	Skill	Std Hrs	Wty Hrs
Replace	Throttle Body, R&R	B	0.4	0.3

Components (itype_32)



Procedures (itype_376)

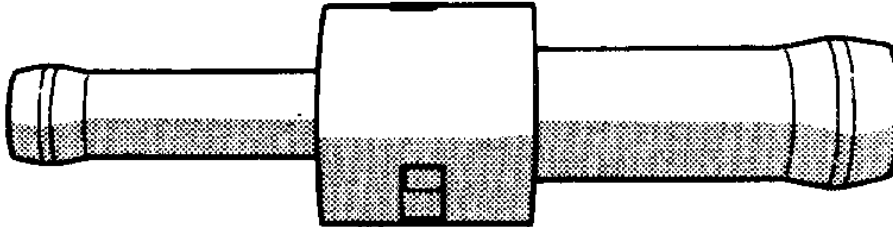


Mechanical (including Torque) (itype_28)

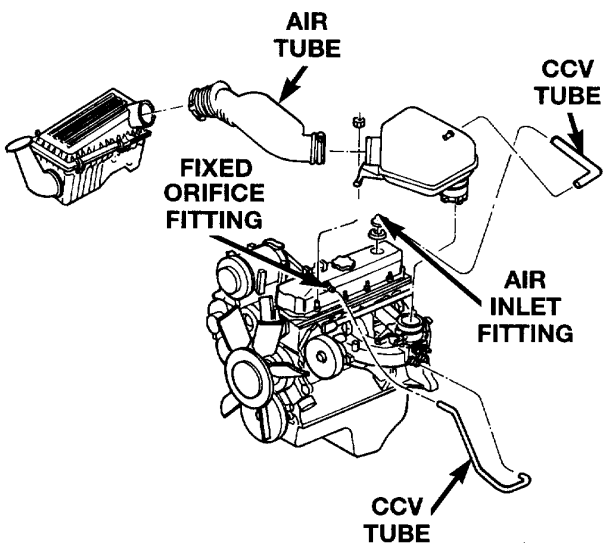
Throttle Body Bolts 90 in.lb

Throttle Body Minimum Air Flow Check Procedure (Article 2030901)

SPECIAL TOOL 6714



J9414-7



80a4a5d8