

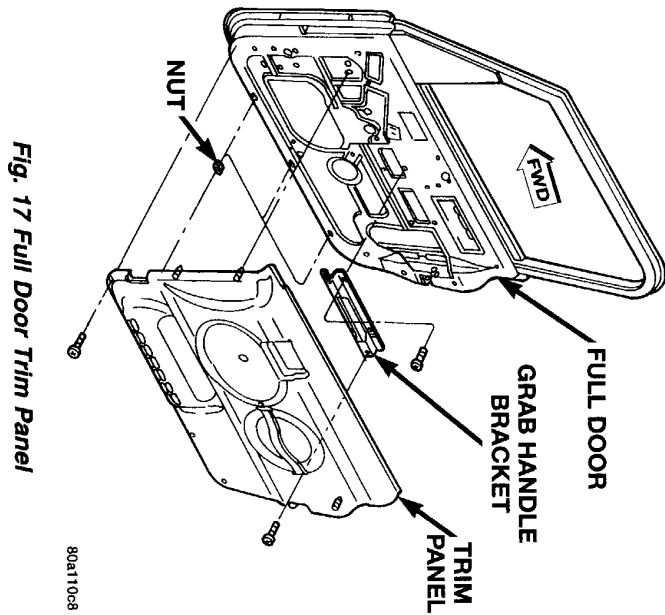
Component Procedures: Trim Panel

Table of Contents

1. Full Door Trim Panel (Article 2034923)
2. Half Door Trim Panel (Article 2034924)

Component Procedures: Trim Panel

Full Door Trim Panel (Article 2034923)



Half Door Trim Panel (Article 2034924)

HALF DOOR TRIM PANEL REMOVAL

1. Remove half door window.
2. Rotate window retainer sleeves 90 °. Using a trim stick, pry sleeve retainers from door.
3. Remove the screws attaching trim panel to door.
4. Remove push-in fasteners attaching trim panel to door with special tool C-4829.
5. Separate the trim panel from the door.

INSTALLATION

1. Position the trim panel on the door.
2. Press the push-in fasteners attaching trim panel to door into place.
3. Install the screws attaching trim panel to door.
4. Position retainer sleeves into door. Rotate retainer sleeves 90 ° to secure into place.
5. Install half door window