

Component Procedures: Throttle Cable/Linkage

Table of Contents

1. Parts and Labor (itype_189)
2. Procedures (itype_376)

Component Procedures: Throttle Cable/Linkage

Parts and Labor (itype_189)

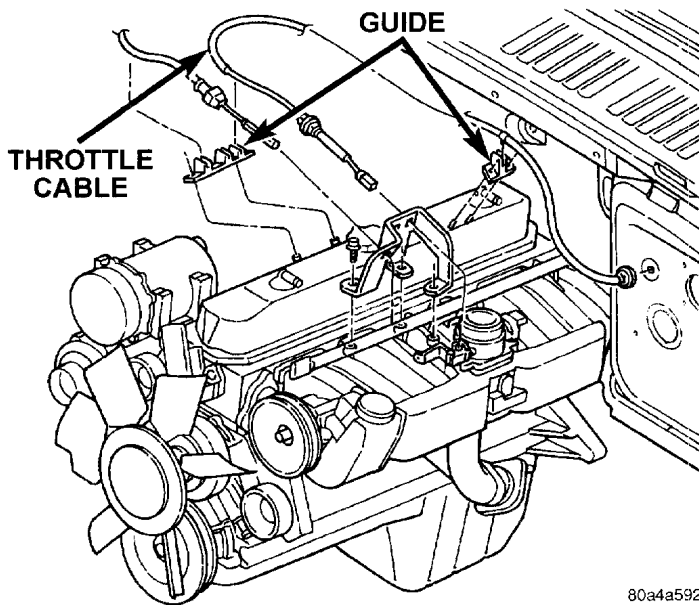
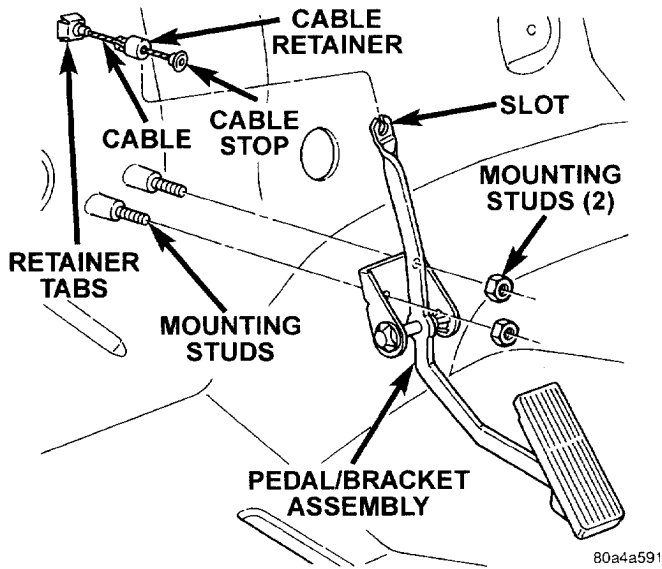
Parts

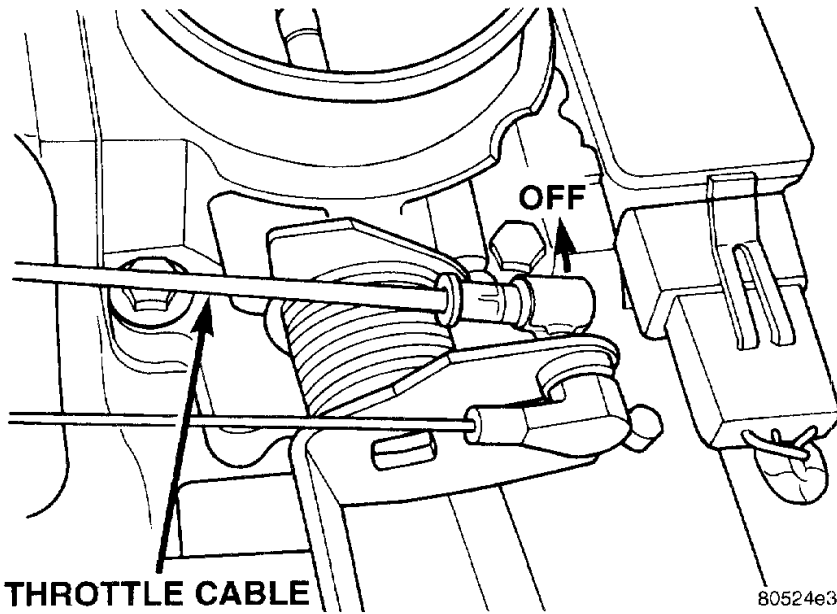
Qualifier	Part #	Name	Price	Note
Throttle Cable	4854137	Throttle Cable	0.00	

Labor

Operation	Qualifier Path	Skill	Std Hrs	Wty Hrs
Replace	Throttle Cable, R&R	B	0.3	0.2

Procedures (itype_376)





80524e32