

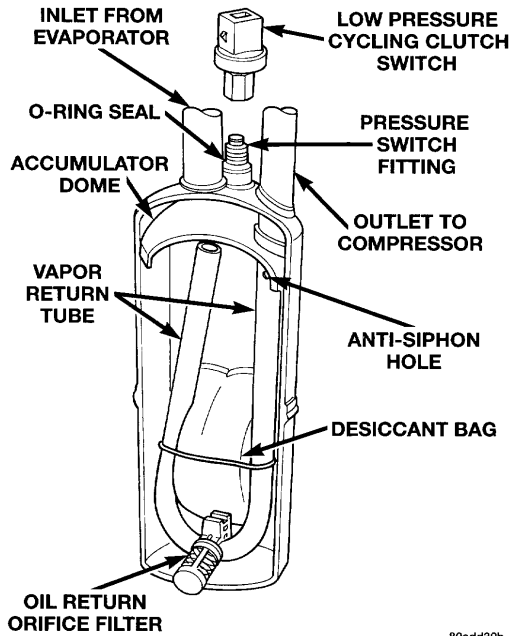
Component Procedures: Accumulator HVAC

Table of Contents

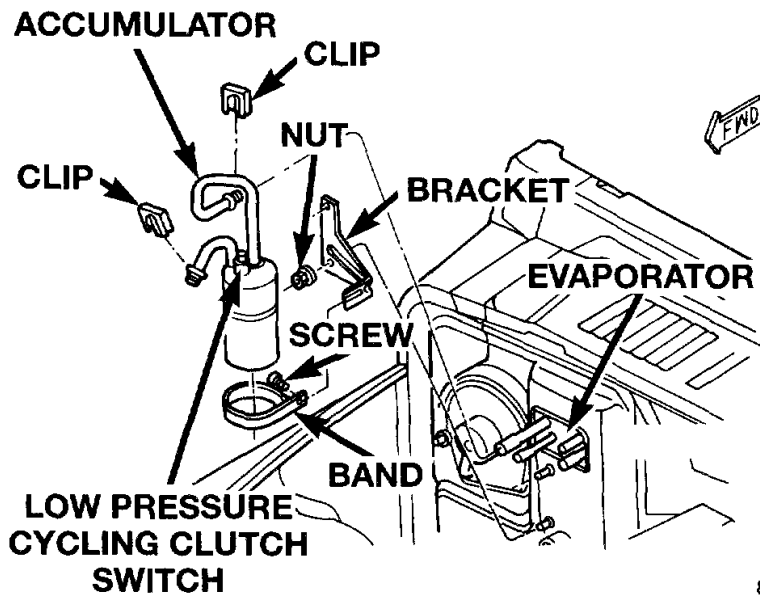
1. Components (itype_392)
2. Components (itype_32)
3. Accumulator Replacement (Article 2049986)
4. Mechanical (including Torque) (itype_28)

Component Procedures: Accumulator HVAC

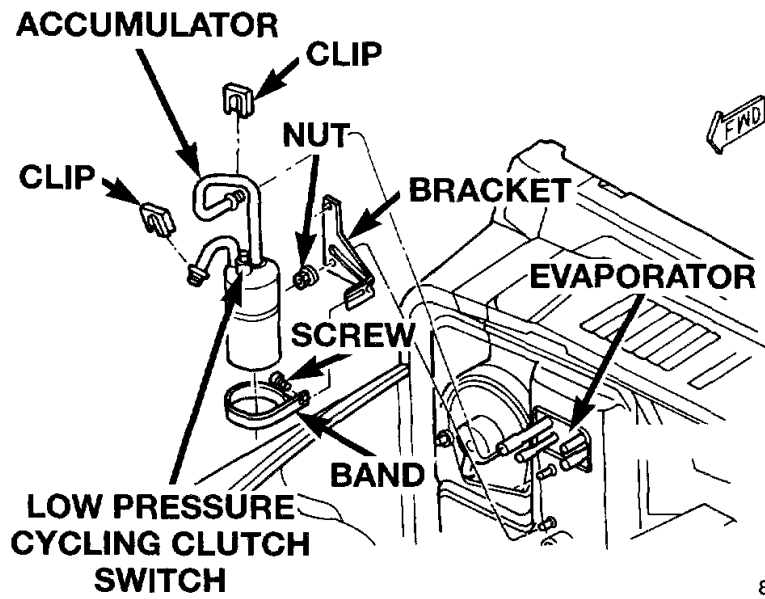
Components (itype_392)



Components (itype_32)



Accumulator Replacement (Article 2049986)



80a4d2f9

Mechanical (including Torque) (itype_28)

Tighten the accumulator retaining band screw to 4.5 Nm (40 in. lbs.)