

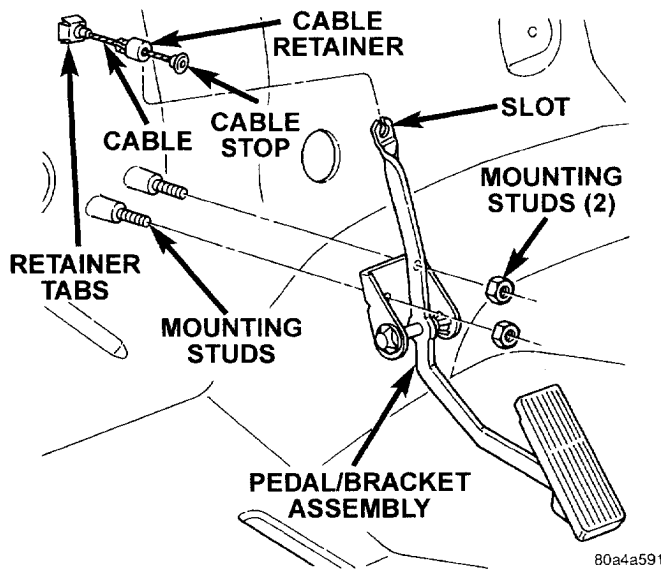
# Component Procedures: Accelerator Pedal

## Table of Contents

1. Procedures (itype\_376)
2. Mechanical (including Torque) (itype\_28)

# Component Procedures: Accelerator Pedal

Procedures (itype\_376)



## Mechanical (including Torque) (itype\_28)

Accelerator Pedal Mounting Nuts 8.5 Nm