

Component Procedures: Oil Filter

Table of Contents

1. Parts and Labor (itype_189)
2. Procedures (itype_376)
3. Mechanical (including Torque) (itype_28)

Component Procedures: Oil Filter

Parts and Labor (itype_189)

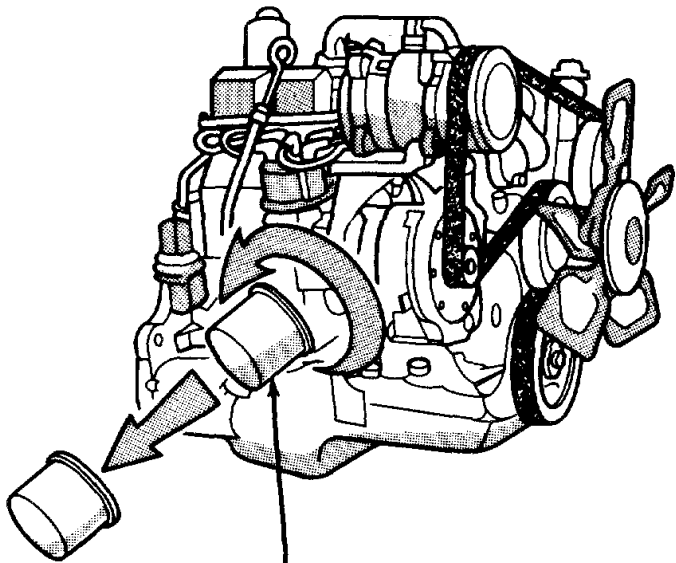
Parts

Qualifier	Part #	Name	Price	Note
Oil Filter > SAE Thread	5281090	Oil Filter Element	10.00	

Labor

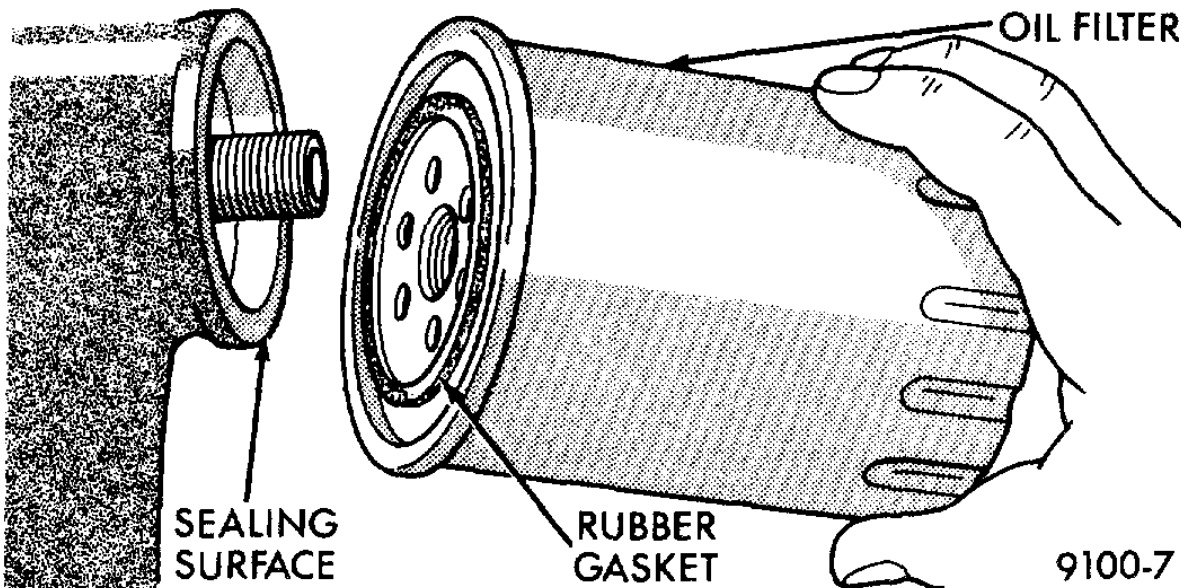
Operation	Qualifier Path	Skill	Std Hrs	Wty Hrs
Replace	Oil Filter, R&R	C	0.3	0.2
Replace	Oil Filter, R&R > NOTE > To Change Oil, Add	C	0.1	0.0

Procedures (itype_376)



OIL FILTER

J9000-6



SEALING SURFACE

RUBBER GASKET

OIL FILTER

9100-7

Mechanical (including Torque) (itype_28)

Oil Filter Adaptor Bolt 75 ft.lb

Connector 50 ft.lb

Filter 13 ft.lb

Oil Galley Plug 30 ft.lb