

# Component Procedures: Ignition System

## Table of Contents

1. Parts and Labor (itype\_189)
2. Components (itype\_392)
3. Complete System Diagram (Article 2037067)
4. All Technical Service Bulletins (itype\_100)
5. No Start Tests (Article 2037874)
6. Emissions (itype\_106)

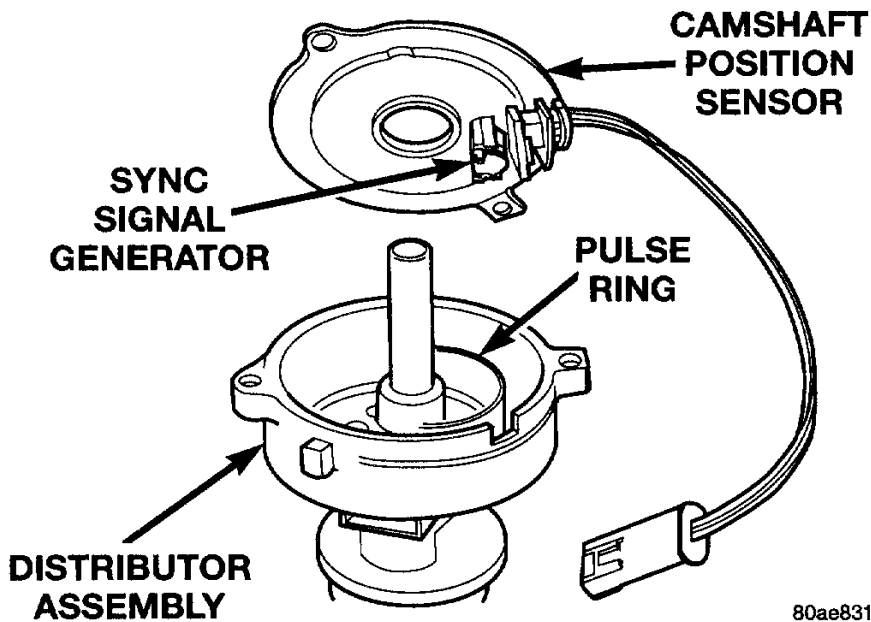
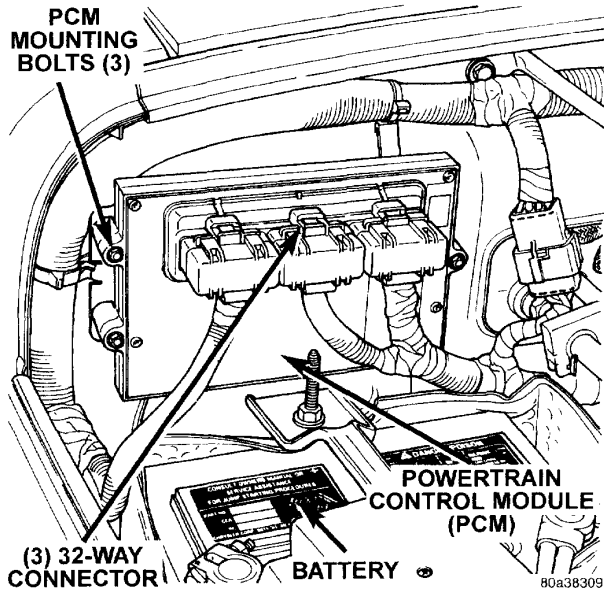
# Component Procedures: Ignition System

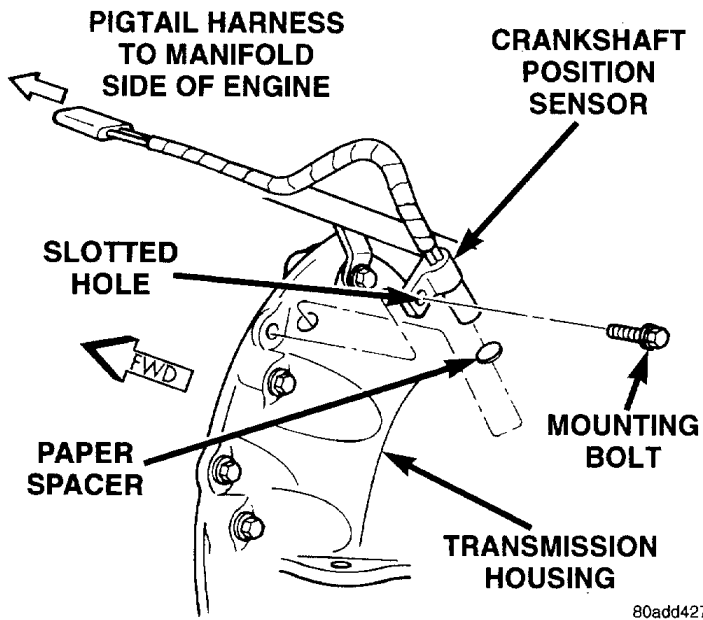
## Parts and Labor (itype\_189)

### Labor

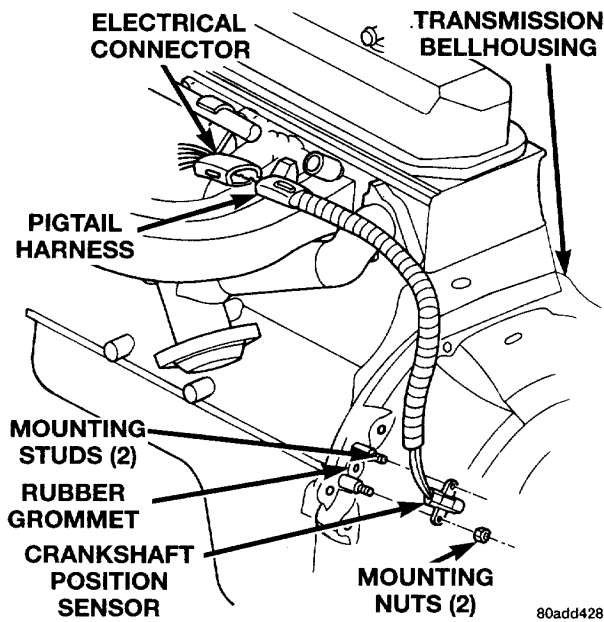
Operation	Qualifier Path	Skill	Std Hrs	Wty Hrs
Diagnose/Test	System, Diagnosis	B	0.6	0.0

## Components (itype\_392)

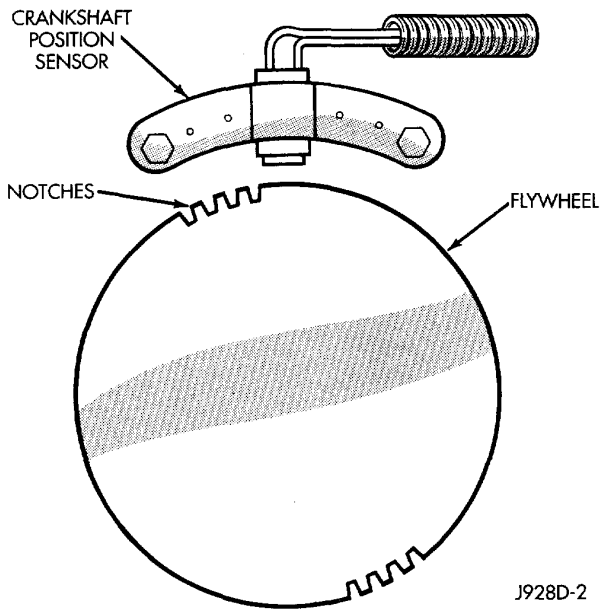
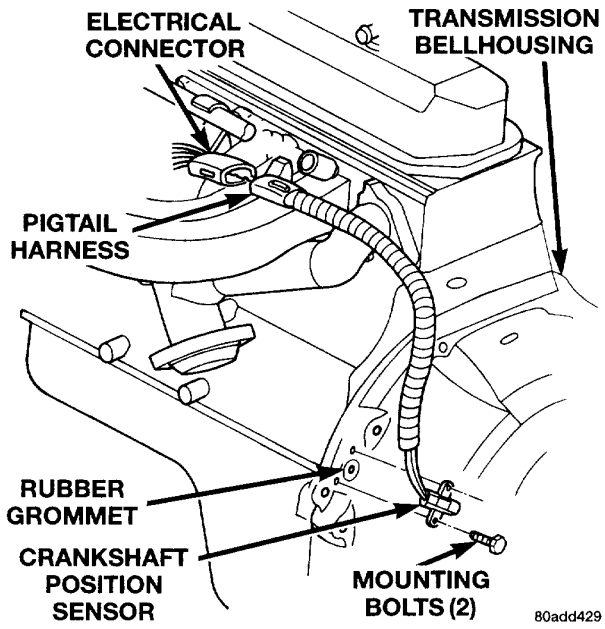


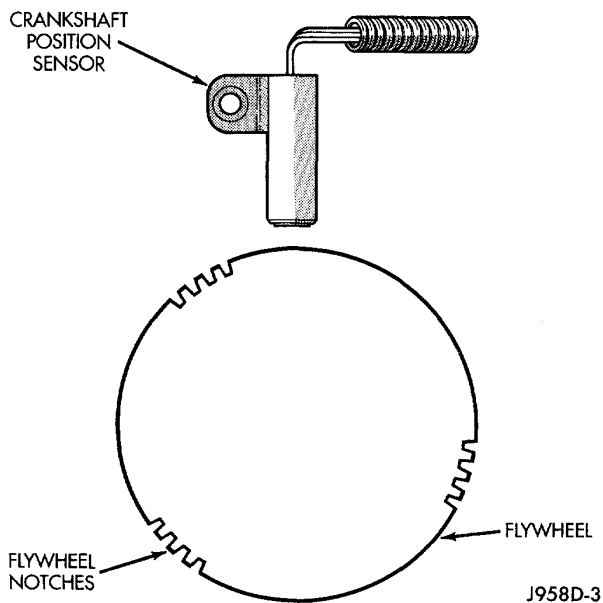
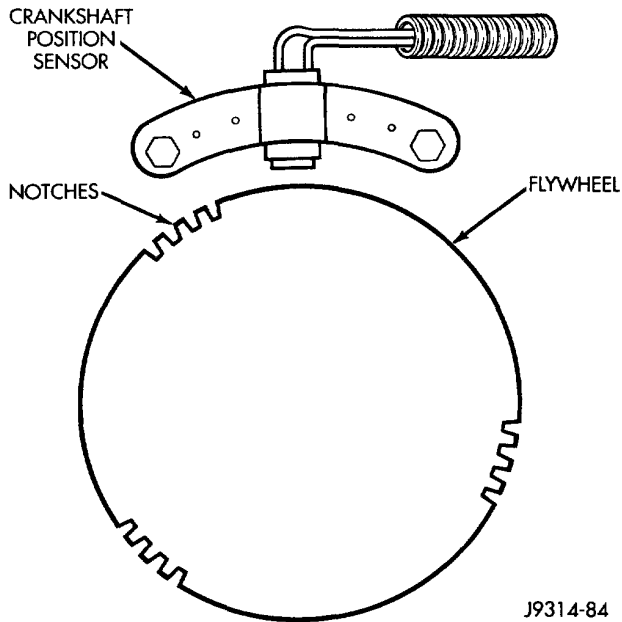


80add427



80add428





### Complete System Diagram (Article 2037067)

For wiring diagrams, refer to  
Powertrain Management  
/Diagrams/Electrical.

See: Powertrain Management > Electrical

### All Technical Service Bulletins (itype\_100)

Tsbs

- Recall - Spark Plug Defect (8061, 1998/12/01)
- Recall - Spark Plugs (8062, 1998/12/01)

### No Start Tests (Article 2037874)

Chrysler provides complete testing for this component under  
Powertrain Management

/

Computers and Control Systems

/Testing and Inspection.

See: Computers and Control Systems > Symptom Related Diagnostic Procedures

## **Emissions (itype\_106)**

Tsbs

- Recall - Spark Plug Defect (8061, 1998/12/01)
- Recall - Spark Plugs (8062, 1998/12/01)