

Component Procedures: Connecting Rod

Table of Contents

1. Parts and Labor (itype_189)
2. Removal and Installation (Article 2048690)
3. Fitting Connecting Rod Bearings (Article 2048697)
4. Connecting Rod Cap Bolts/Nuts (Article 2053953)
5. Connecting Rod Specifications (Article 2053952)

Component Procedures: Connecting Rod

Parts and Labor (itype_189)

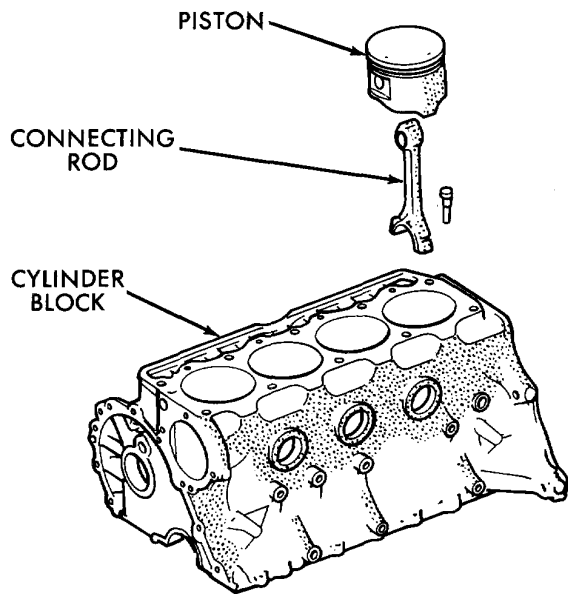
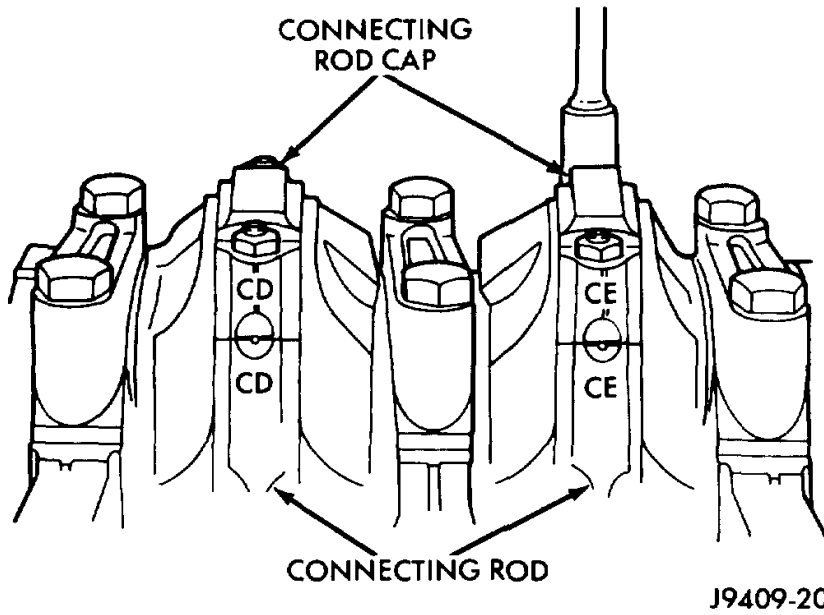
Parts And Labor

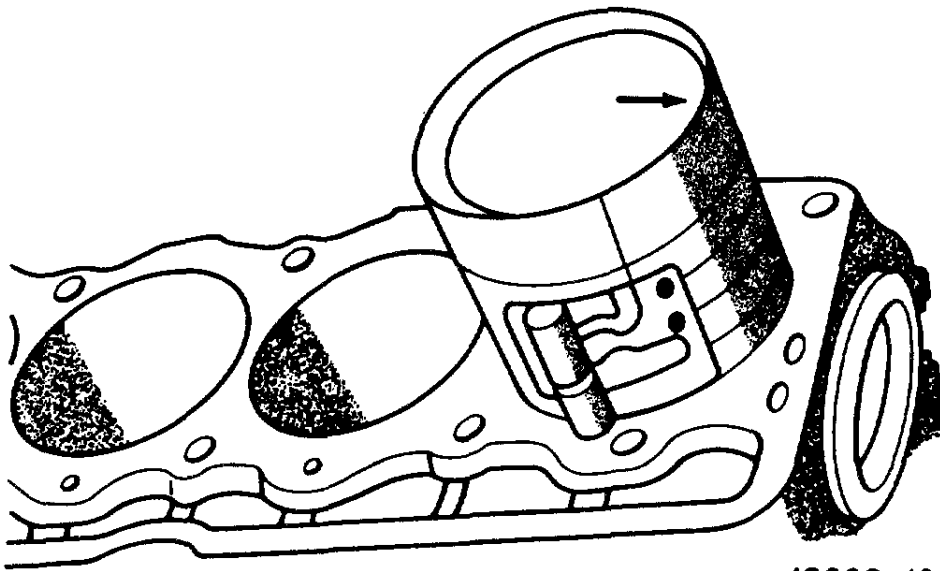
Parts

Qualifiers

- Connecting Rod

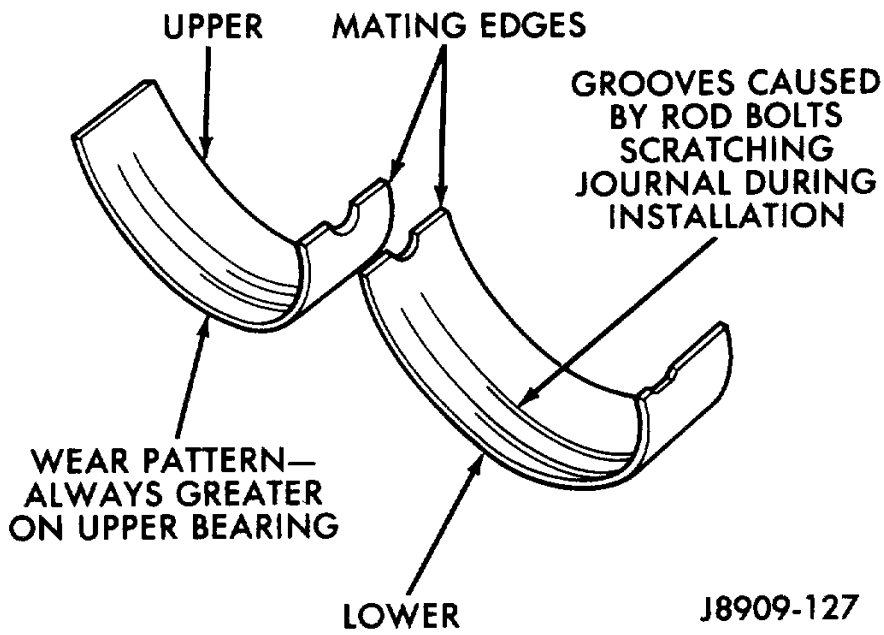
Removal and Installation (Article 2048690)





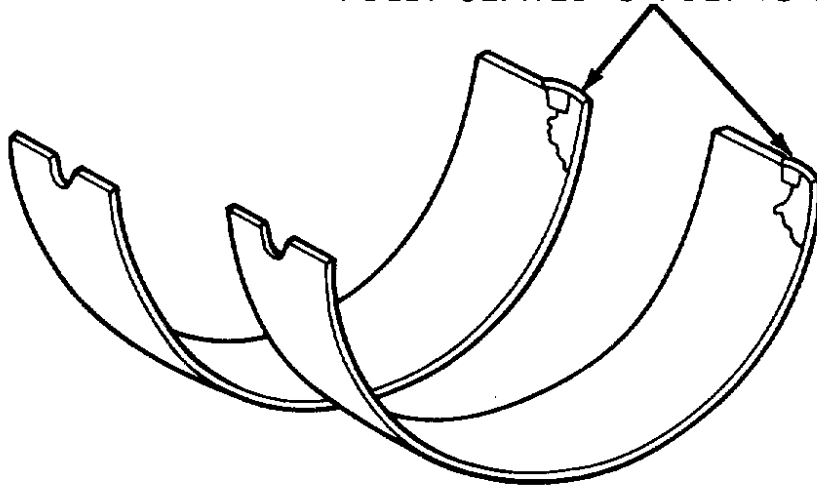
J9009-41

Fitting Connecting Rod Bearings (Article 2048697)



J8909-127

**ABNORMAL CONTACT AREA
CAUSED BY LOCKING TABS NOT
FULLY SEATED OR BEING BENT**

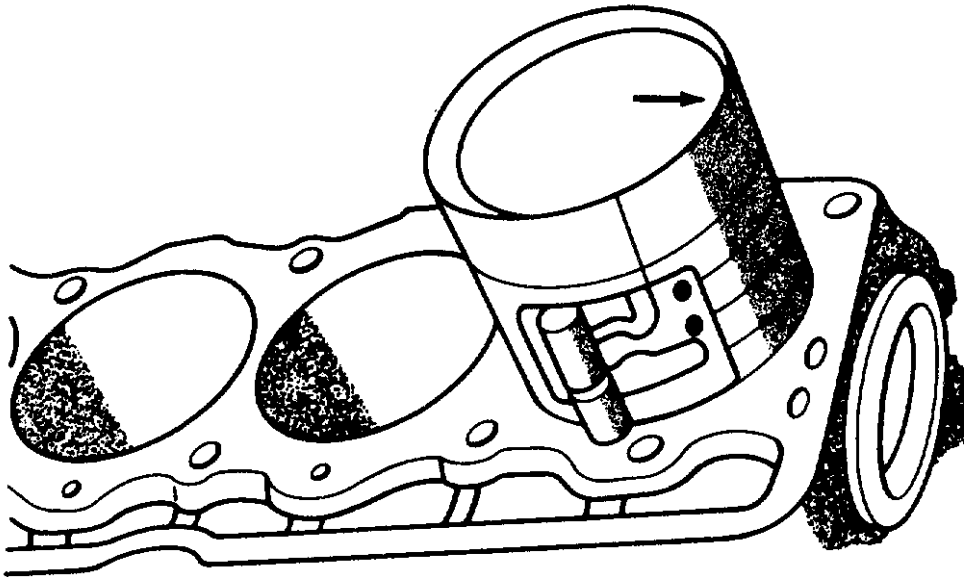


LOWER



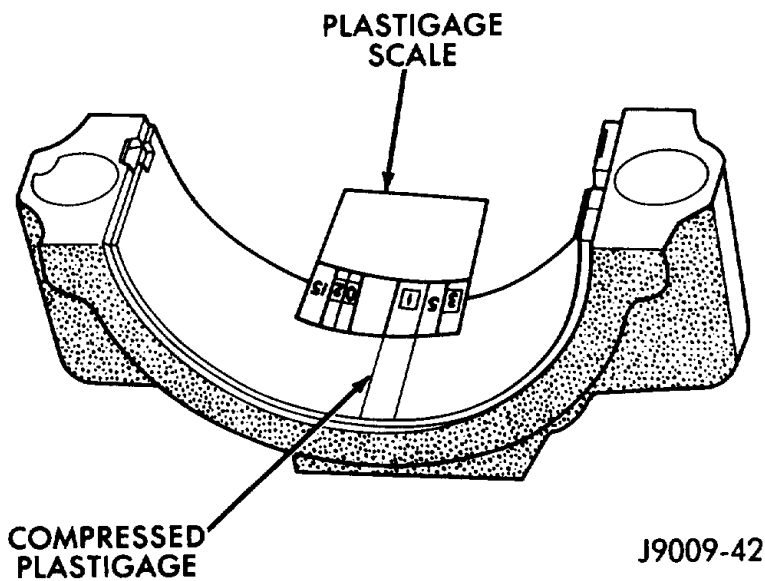
UPPER

J8909-129



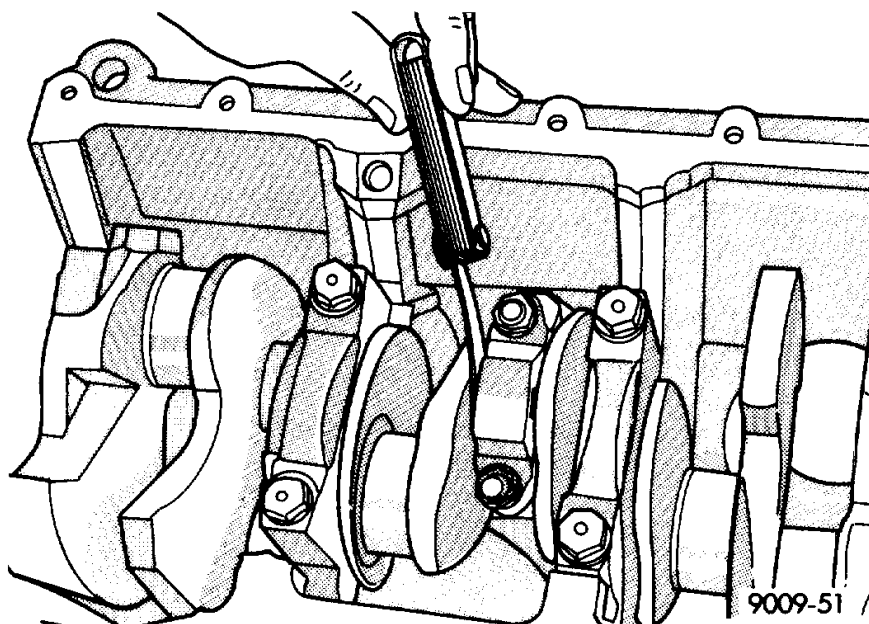
J9009-41

CRANKSHAFT JOURNAL		CORRESPONDING CONNECTING ROD BEARING INSERT	
Color Code	Diameter	Upper Insert Size	Lower Insert Size
Yellow	53.2257-53.2079 mm (2.0955-2.0948 in.)	Yellow - Standard	Yellow - Standard
Orange	53.2079 - 53.1901 mm (2.0948 - 2.0941 in.) 0.0178 mm (0.0014 in.) Undersize	Yellow - Standard	Blue - Undersize 0.025 mm (0.001 in.)
Blue	53.1901 - 53.1724 mm (2.0941 - 2.0934 in.) 0.0356 mm (0.0014 in.) Undersize	Blue - Undersize 0.025 mm (0.001 in.)	Blue - Undersize 0.025 mm (0.001 in.)
Red	52.9717 - 52.9539 mm (2.0855 - 2.0848 in.) 0.254 mm (0.010 in.) Undersize	Red - Undersize 0.254 mm (0.010 in.)	Red - Undersize 0.254 mm (0.010 in.)



COMPRESSED
PLASTIGAGE

J9009-42



9009-51 /

Connecting Rod Cap Bolts/Nuts (Article 2053953)

Connecting Rod Cap Nuts 33 ft.lb

Connecting Rod Specifications (Article 2053952)

Connecting Rod s Total Weight (Less Bearing) 23.17 to 23.45 oz (US)

Length (Center-To-Center) 6.123 to 6.127 in

Piston Pin Bore Diameter 0.9288 to 0.9298 in

Bore (Less Bearings) 2.2080 to 2.2085 in

Bearing Clearance 0.001 to 0.003 in

Bearing Clearance (Preferred) 0.0015 to 0.0020 in

Side Clearance 0.010 to 0.019 in

Twist (Max.) per inch 0.001 in

Bend (Max.) per inch 0.001 in

Cylinder Compression Pressure Ratio 9.1

Pressure Range 120 to 150

Max. Variation Between Cylinders 30