

# Component Procedures: Hazard Warning Switch

## Table of Contents

1. Parts and Labor (itype\_189)
2. Components (itype\_392)
3. Procedures (itype\_376)
4. Technician Safety Information (itype\_15)
5. Mechanical (including Torque) (itype\_28)
6. Component Tests and General Diagnostics (itype\_383)

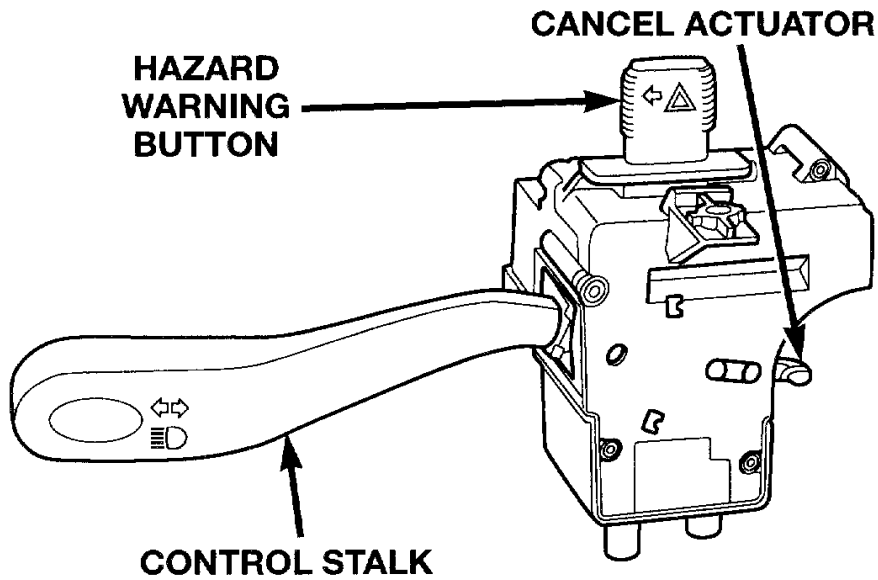
# Component Procedures: Hazard Warning Switch

## Parts and Labor (itype\_189)

### Labor

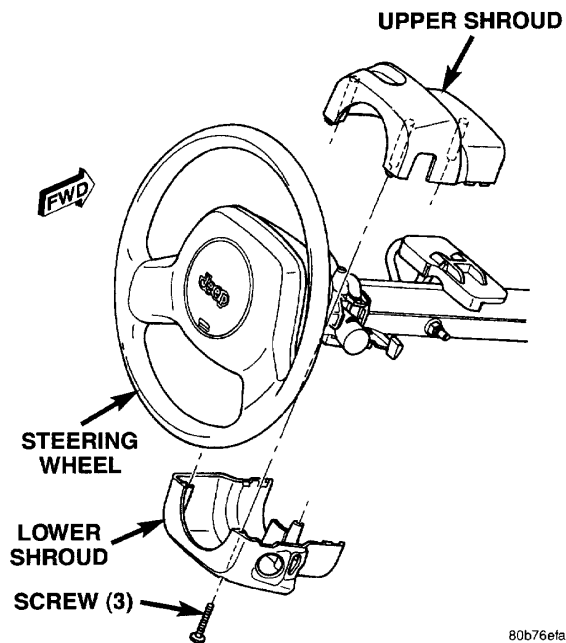
Operation	Qualifier Path	Skill	Std Hrs	Wty Hrs
Replace	Hazard Switch, R&R	B	1.0	0.8

## Components (itype\_392)

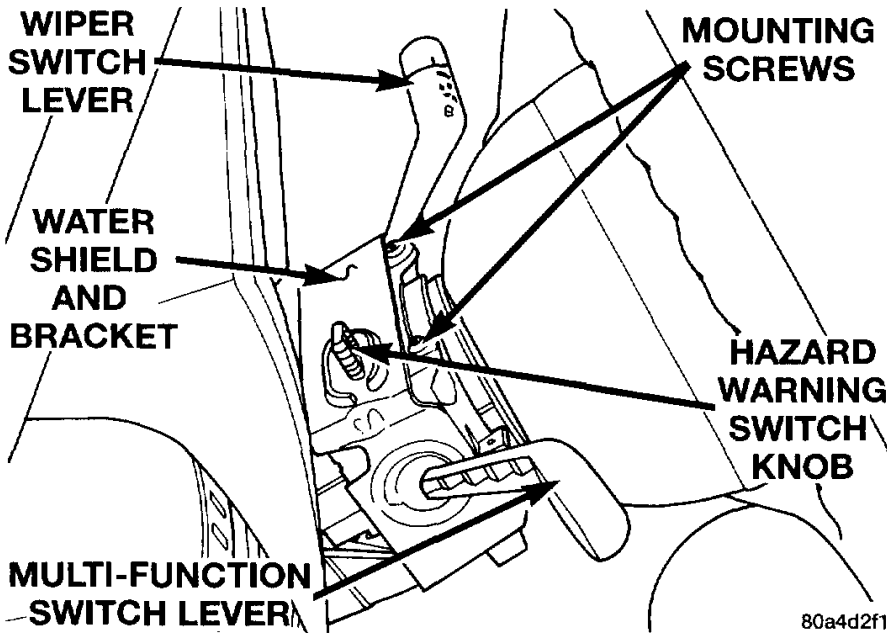


80ad8458

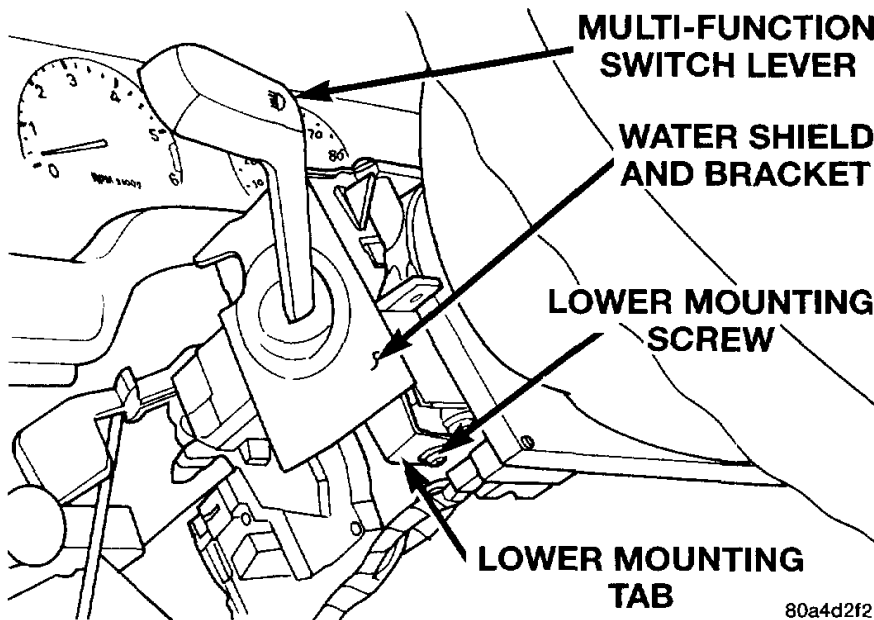
## Procedures (itype\_376)



80b76efa



80a4d2f1



80a4d2f2

### Technician Safety Information (itype\_15)

WARNING: ON VEHICLES EQUIPPED WITH AIRBAGS, REFER TO RESTRAINT SYSTEMS / AIRBAG SYSTEMS BEFORE ATTEMPTING AIRBAG DIAGNOSIS OR SERVICE. FAILURE TO TAKE THE PROPER PRECAUTIONS COULD RESULT IN ACCIDENTAL AIRBAG DEPLOYMENT AND POSSIBLE PERSONAL INJURY

### Mechanical (including Torque) (itype\_28)

Tighten the one screw located below the multi-function switch control stalk that secures the multi-function switch water shield and bracket to the steering column screw to 1.1 Nm (10 in. lbs.)

Tighten the two screws that secure the multi-function switch water shield and bracket to the top of the steering column screws to 2.2 Nm (20 in. lbs.)

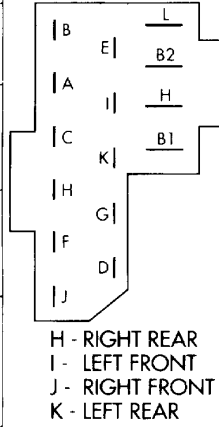
Tighten the three screws that secure the lower steering column shroud to the upper shroud screws to 2 Nm (18 in. lbs.)

Tighten the two nuts that secure the non-tilt steering column upper mounting bracket to the dash panel

steering column support bracket studs nuts to  
22 Nm (200 in. lbs.)

### Component Tests and General Diagnostics (itype\_383)

SWITCH POSITION		CONTINUITY BETWEEN
TURN SIGNAL	HAZARD WARNING	
NEUTRAL	OFF	F and H F and K A and E
LEFT	OFF	F and H C and K C and I A and E
RIGHT	OFF	F and K C and H C and J A and E
NEUTRAL	ON	B and E C and H C and K C and I C and J



948J-12