

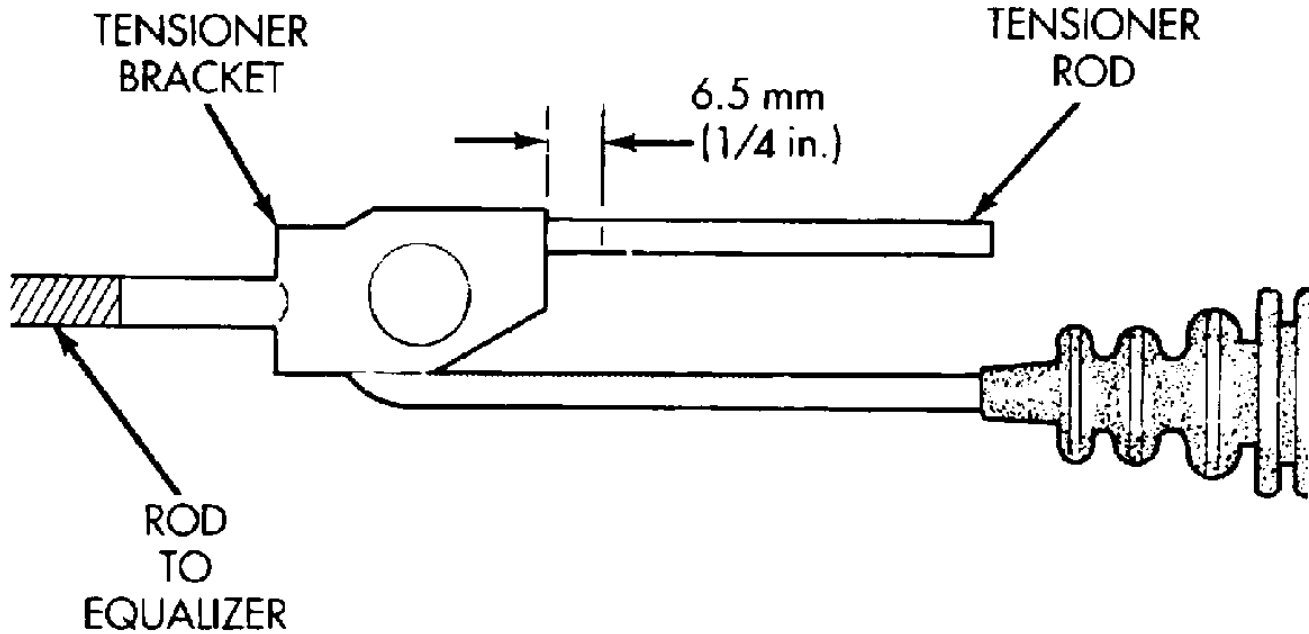
Component Procedures: Parking Brake Cable

Table of Contents

1. Adjustments (itype_5)
2. Parts and Labor (itype_189)
3. Procedures (itype_376)
4. Mechanical (including Torque) (itype_28)

Component Procedures: Parking Brake Cable

Adjustments (itype_5)



Parts and Labor (itype_189)

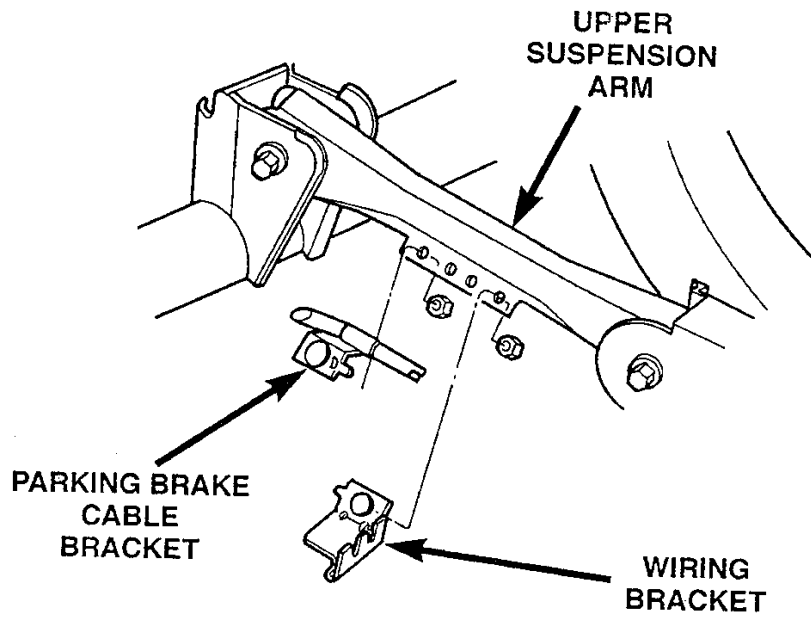
Parts

Qualifier	Part #	Name	Price	Note
Rear Cable > Right	52008362	Rear Cable	0.00	Order By Description.
Rear Cable > Left	52008363	Rear Cable	0.00	Order By Description.

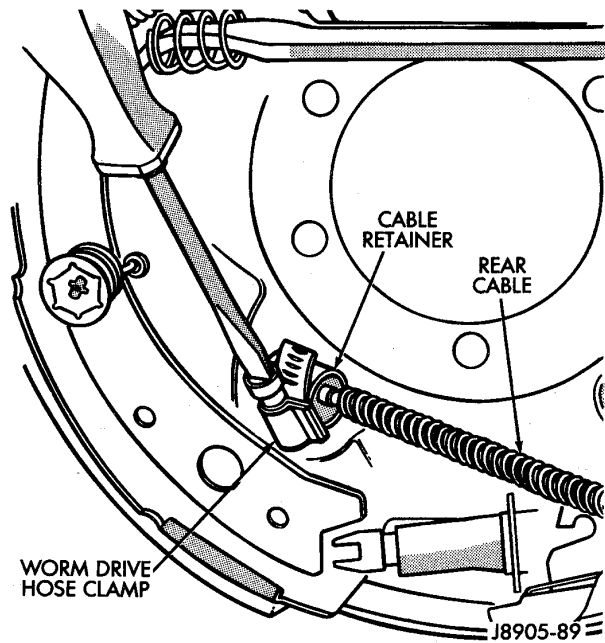
Labor

Operation	Qualifier Path	Skill	Std Hrs	Wty Hrs
Replace	Front Cable	C	1.0	0.8
Replace	Rear Cable > Without Rear Disc Brakes > One S?	C	0.9	0.7

Procedures (itype_376)



80a1c39b



Mechanical (including Torque) (itype_28)

Cable Retainer Nut 1.5 Nm (14 inch lbs.)