

# Component Procedures: Stabilizer Bar

## Table of Contents

1. Parts and Labor (itype\_189)
2. Front (Article 2077323)
3. Rear (Article 2077324)
4. Mechanical (including Torque) (itype\_28)

# Component Procedures: Stabilizer Bar

## Parts and Labor (itype\_189)

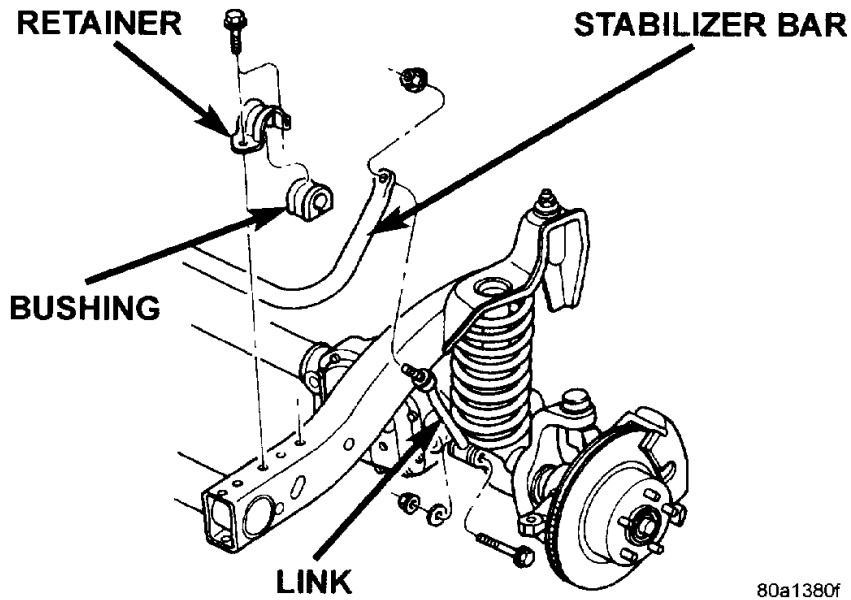
### Parts

Qualifier	Part #	Name	Price	Note
Front Suspension > Coil Sprin?	52087824	11 - Stabilizer Bar	0.00	Order By Description.
Rear Suspension > Coil Sprin?	52088002	8 - Stabilizer Bar	0.00	

### Labor

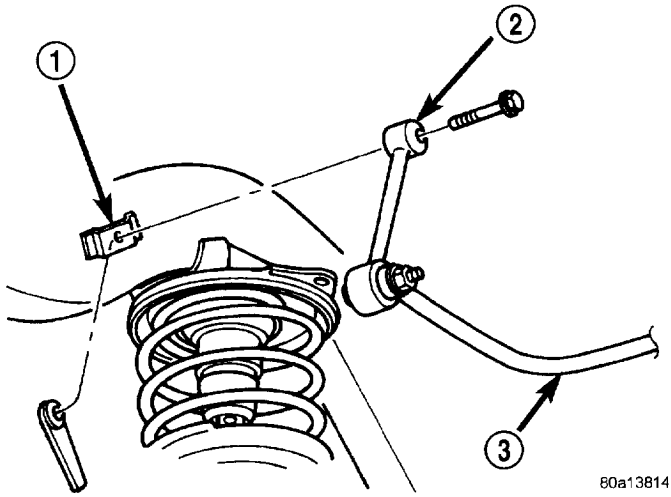
Operation	Qualifier Path	Skill	Std Hrs	Wty Hrs
Replace	Front Suspension	C	0.7	0.6
Replace	Rear Suspension > Coil Spring Type	C	0.6	0.5

## Front (Article 2077323)



80a1380f

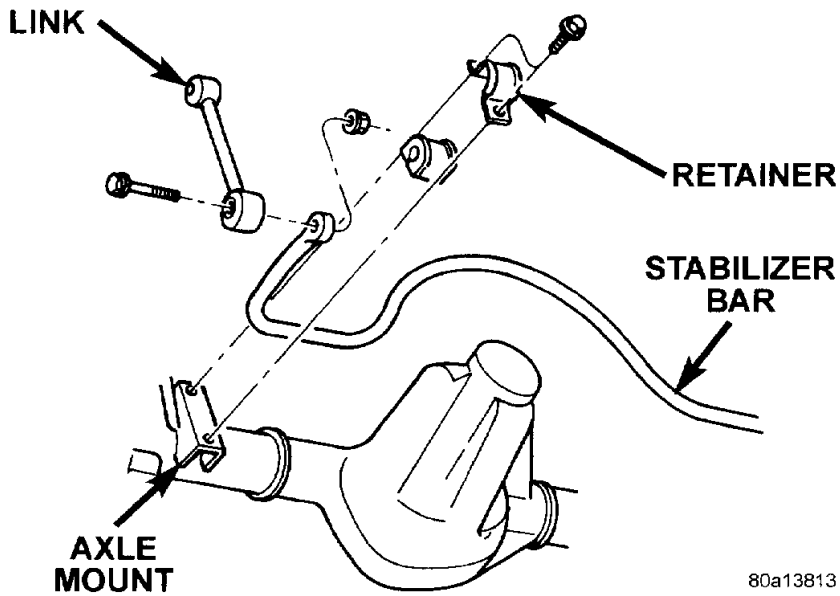
## Rear (Article 2077324)



80a13814

**Fig. 5 Stabilizer Bar Link**

- 1 - FRAME MOUNT
- 2 - LINK
- 3 - STABILIZER BAR



80a13813

**Mechanical (including Torque) (itype\_28)**

FRONT:

Retainer Bolts ..... 54 Nm (40 ft. lbs.)

REAR: