

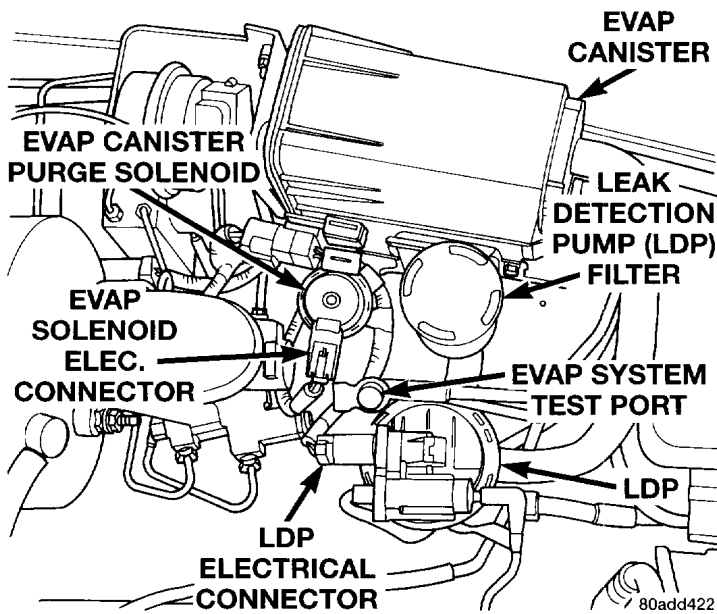
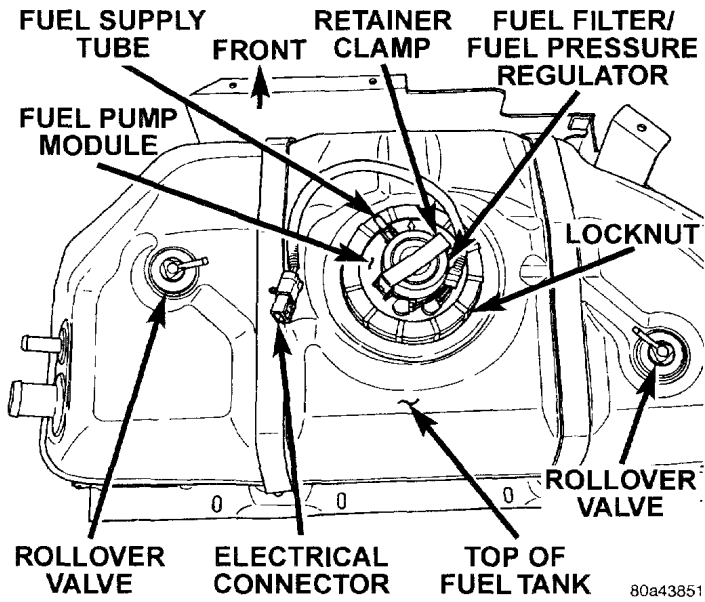
# Component Procedures: Emission Control Systems

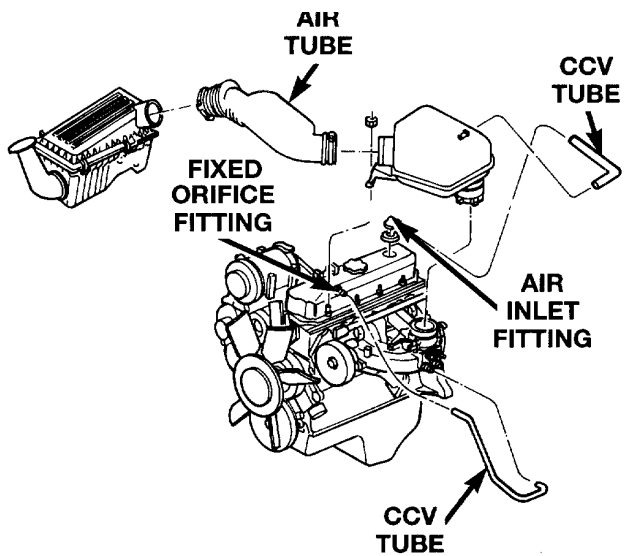
## Table of Contents

1. Components (itype\_392)
2. Electrical (OE) (itype\_21)
3. Vacuum and Vapor Hose (itype\_24)
4. Components (itype\_32)
5. All Technical Service Bulletins (itype\_100)
6. Customer Interest Bulletins (itype\_109)
7. Repair Tips (itype\_110)
8. Emissions (itype\_106)

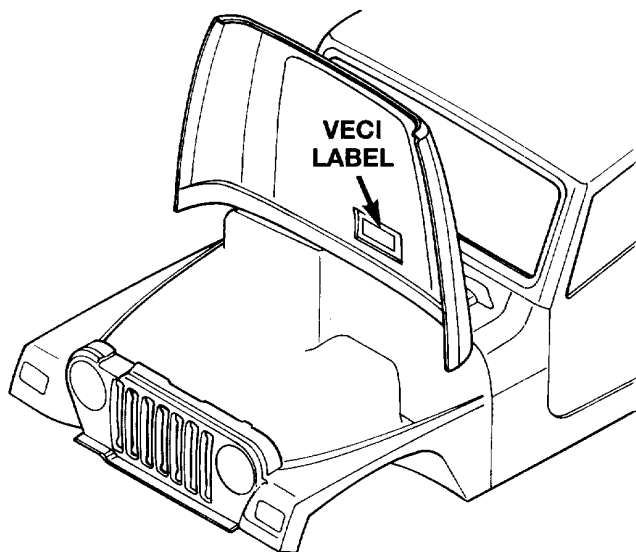
# Component Procedures: Emission Control Systems

Components (itype\_392)





80a4a5d8



80a4a5d9

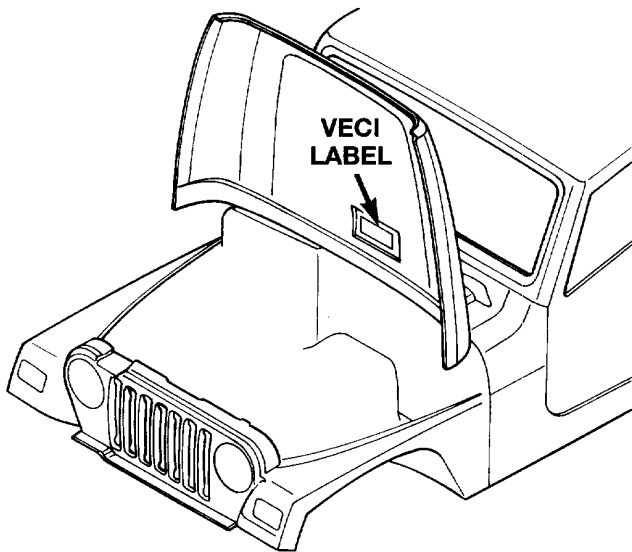
## Electrical (OE) (itype\_21)

See  
 Powertrain Management  
 /Diagrams/Electrical.  
 See: Powertrain Management > Electrical

## Vacuum and Vapor Hose (itype\_24)

A vacuum schematic for emission related items can be found on the Vehicle Emission Control Information (VECI) label. For label location, refer to Vehicle Emission Control Information (VECI) Label.

## Components (itype\_32)



80a4a5d9

### **All Technical Service Bulletins (itype\_100)**

Tsbs

- I/M Testing - OBDII CARB Readiness Monitor Information (25-02-98, 1998/10/23)
- Leak Detection Pump - Monitor Test (18-12-99, 1999/06/18)
- Recall - Replace Mopar(R) Value Line Catalytic Converter (J25, 2009/10/30)
- EVAP System - Leak Detection Pump Misdiagnosis (18-01-00, 2000/02/04)
- Evaporative System - Leak and DTC Diagnostics (25-004-01, 2001/05/11)

### **Customer Interest Bulletins (itype\_109)**

Tsbs

- I/M Testing - OBDII CARB Readiness Monitor Information (25-02-98, 1998/10/23)

### **Repair Tips (itype\_110)**

Tsbs

- Leak Detection Pump - Monitor Test (18-12-99, 1999/06/18)
- EVAP System - Leak Detection Pump Misdiagnosis (18-01-00, 2000/02/04)
- Evaporative System - Leak and DTC Diagnostics (25-004-01, 2001/05/11)

### **Emissions (itype\_106)**

Tsbs

- Recall - Replace Mopar(R) Value Line Catalytic Converter (J25, 2009/10/30)