

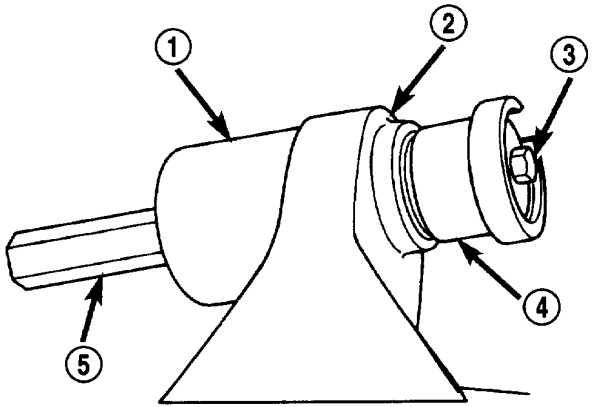
Component Procedures: Radius Arm Bushing

Table of Contents

1. Procedures (itype_376)

Component Procedures: Radius Arm Bushing

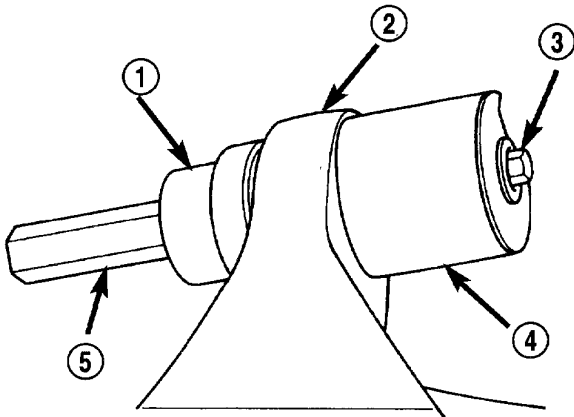
Procedures (itype_376)



80b5cb7a

Fig. 4 Bushing Removal

- 1 - RECEIVER
- 2 - AXLE BRACKET
- 3 - BOLT
- 4 - REMOVER/INSTALLER
- 5 - LONG NUT



80b5cb79

Fig. 5 Bushing Installation

- 1 - REMOVER/INSTALLER
- 2 - AXLE BRACKET
- 3 - BOLT
- 4 - RECEIVER
- 5 - LONG NUT