

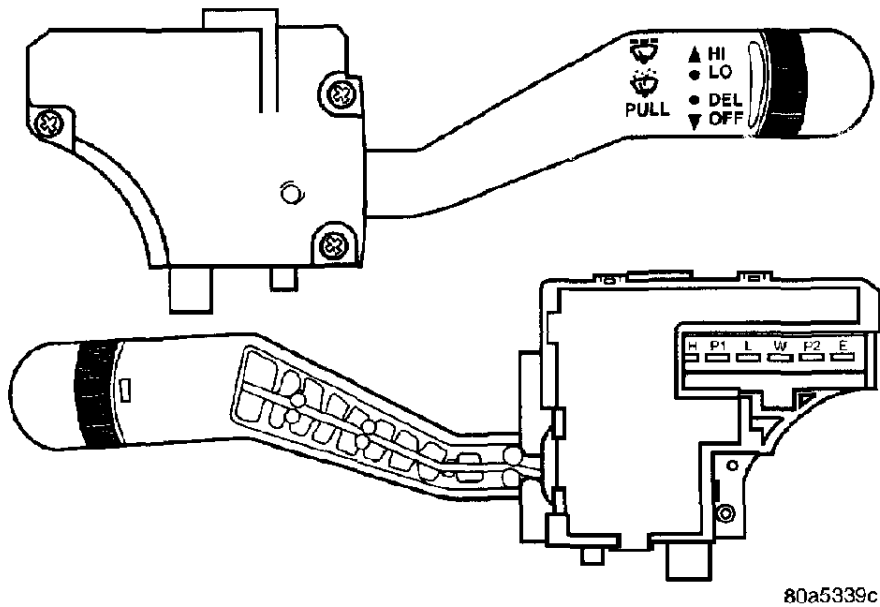
Component Procedures: Windshield Washer Switch

Table of Contents

1. Washer Switch Operation (Article 2080559)
2. Rear Washer Switch Operation (Article 2080560)
3. Wiper Switch (Article 2082547)
4. Wiper and Washer Switch (Article 2080580)
5. Rear Wiper and Washer Switch (Article 2080581)
6. Technician Safety Information (itype_15)
7. Washer Switch Test (Article 2071269)
8. Rear Wiper & Washer Switch Test (Article 2080574)

Component Procedures: Windshield Washer Switch

Washer Switch Operation (Article 2080559)



Rear Washer Switch Operation (Article 2080560)

SYSTEM DESCRIPTION

The single two-function rear wiper and washer switch

is installed in the instrument panel accessory switch bezel, which is located near the bottom of the instrument panel center bezel area, next to the ash receiver. The rear

wiper

and

washer switch

controls the rear wiper and washer functions.

The toggle-type switch features a detent in the On position, and a momentary Wash position. The rear wiper and washer switch also has an integral illumination lamp with a serviceable bulb. The switch knob is pushed down to its detent to activate the rear wiper system, and down again to the momentary position to activate the rear washer system. Both the rear wiper and rear washer motors will operate continuously for as long as the switch is held in the momentary Wash position.

The rear wiper and washer switch cannot be repaired and, if faulty or damaged, the entire switch unit must be replaced.

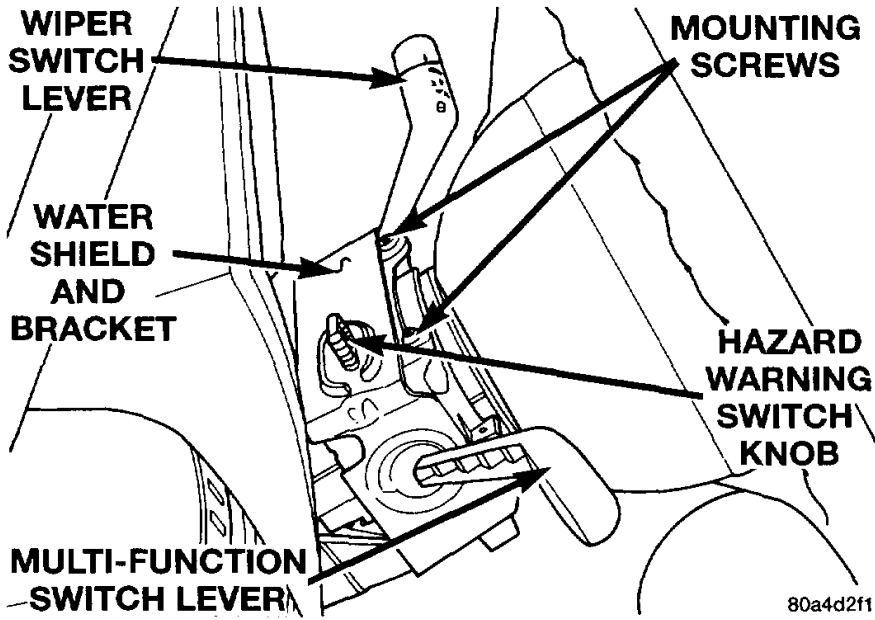
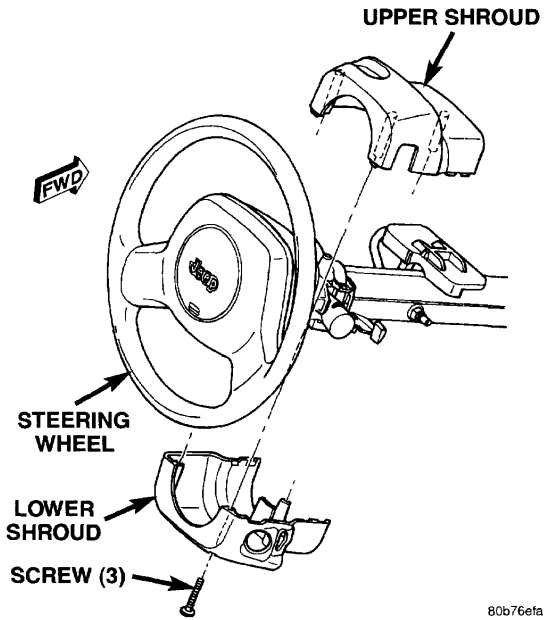
Wiper Switch (Article 2082547)

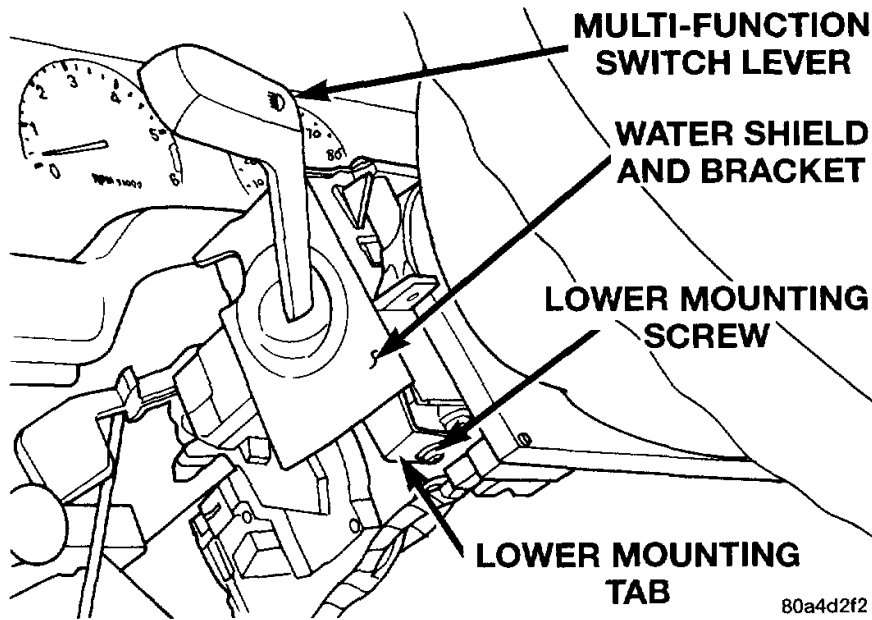
The

windshield wiper and washer switch

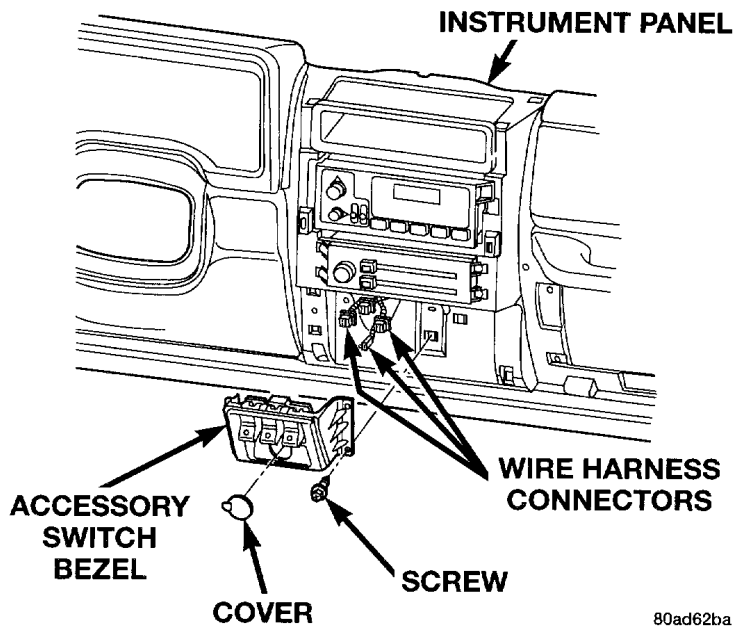
es are mounted on the right side of the steering column.

Wiper and Washer Switch (Article 2080580)





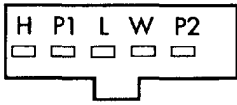
Rear Wiper and Washer Switch (Article 2080581)



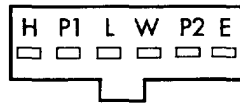
Technician Safety Information (itype_15)

WARNING: ON VEHICLES EQUIPPED WITH AIRBAGS, REFER TO RESTRAINT SYSTEMS / AIRBAG SYSTEMS BEFORE ATTEMPTING AIRBAG DIAGNOSIS OR SERVICE. FAILURE TO TAKE THE PROPER PRECAUTIONS COULD RESULT IN ACCIDENTAL AIRBAG DEPLOYMENT AND POSSIBLE PERSONAL INJURY

Washer Switch Test (Article 2071269)



TWO SPEED WIPER SWITCH PINS

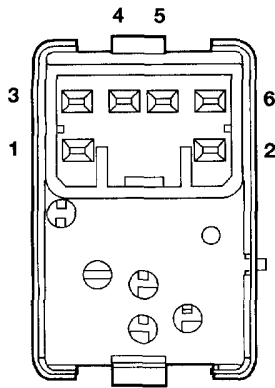


INTERMITTENT WIPER SWITCH PINS

| SWITCH POSITION | CONTINUITY BETWEEN |
|-----------------|--------------------|
| OFF | PIN P2 and PIN L |
| LOW | PIN P1 and PIN L |
| HIGH | PIN P1 and PIN H |
| WASH | PIN P1 and PIN W |
| INTERMITTENT | CANNOT BE CHECKED |

948K-38

Rear Wiper & Washer Switch Test (Article 2080574)



| SWITCH POSITION | CONTINUITY BETWEEN |
|-------------------|--------------------|
| OFF | 1 AND 4 |
| WIPE | 4 AND 5 |
| WASH | 2 AND 5, 4 AND 5 |
| ILLUMINATION LAMP | 1 AND 3 |

80a5035e