

Component Procedures: Valve Cover

Table of Contents

1. Parts and Labor (itype_189)
2. Removal and Installation (Article 2071630)

Component Procedures: Valve Cover

Parts and Labor (itype_189)

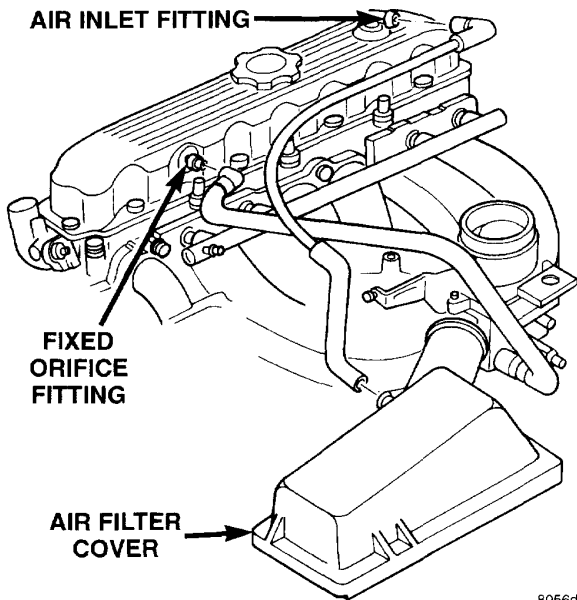
Parts

Qualifier	Part #	Name	Price	Note
Valve Cover	53010428AB	3 - Valve Cover	131.00	

Labor

Operation	Qualifier Path	Skill	Std Hrs	Wty Hrs
Replace	Valve Cover Gasket, R&R	B	1.1	0.6

Removal and Installation (Article 2071630)



8056d9f4