

Component Procedures: Front Door Exterior Handle

Table of Contents

1. Full Door (Article 2072674)
2. Half Door (Article 2072675)

Component Procedures: Front Door Exterior Handle

Full Door (Article 2072674)

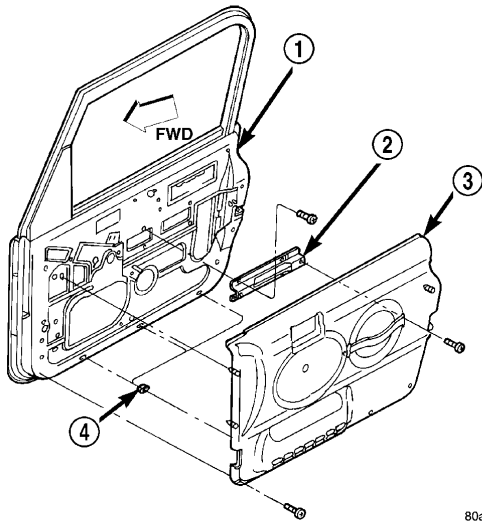


Fig. 6 GRAB HANDLE SUPPORT BRACKET

- 1 - FULL DOOR
- 2 - GRAB HANDLE BRACKET
- 3 - TRIM PANEL
- 4 - NUT

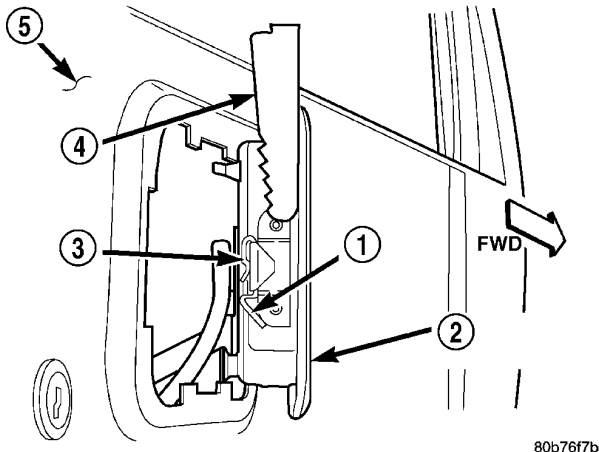


Fig. 7 OUTSIDE DOOR HANDLE REMOVAL

- 1 - TAIL
- 2 - OUTSIDE HANDLE
- 3 - RETAINER
- 4 - HANDLE KEEPER
- 5 - DOOR

Half Door (Article 2072675)

EXTERIOR HANDLE REMOVAL

1. Remove
trim panel

- 2. Disconnect the outside handle to latch rod.
- 3. Remove screws attaching the outside handle to the door.
- 4. Separate the outside handle and seal from the door.

INSTALLATION

- 1. Position the outside handle and seal in the door.
- 2. Install screws attaching the outside handle to the door.
- 3. Connect the outside handle to latch rod.
- 4. Install trim panel.